

WASHINGTON STATE PARKS & RECREATION COMMISSION

KEN BOUNDS, CHAIR

SOPHIA DANENBERG

LAURIE CONNELLY

MICHAEL LATIMER

MARK O. BROWN

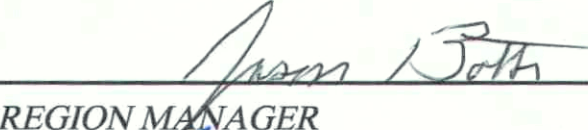

ALI RAAD

HOLLY WILLIAMS

DIANA DUPUIS, DIRECTOR

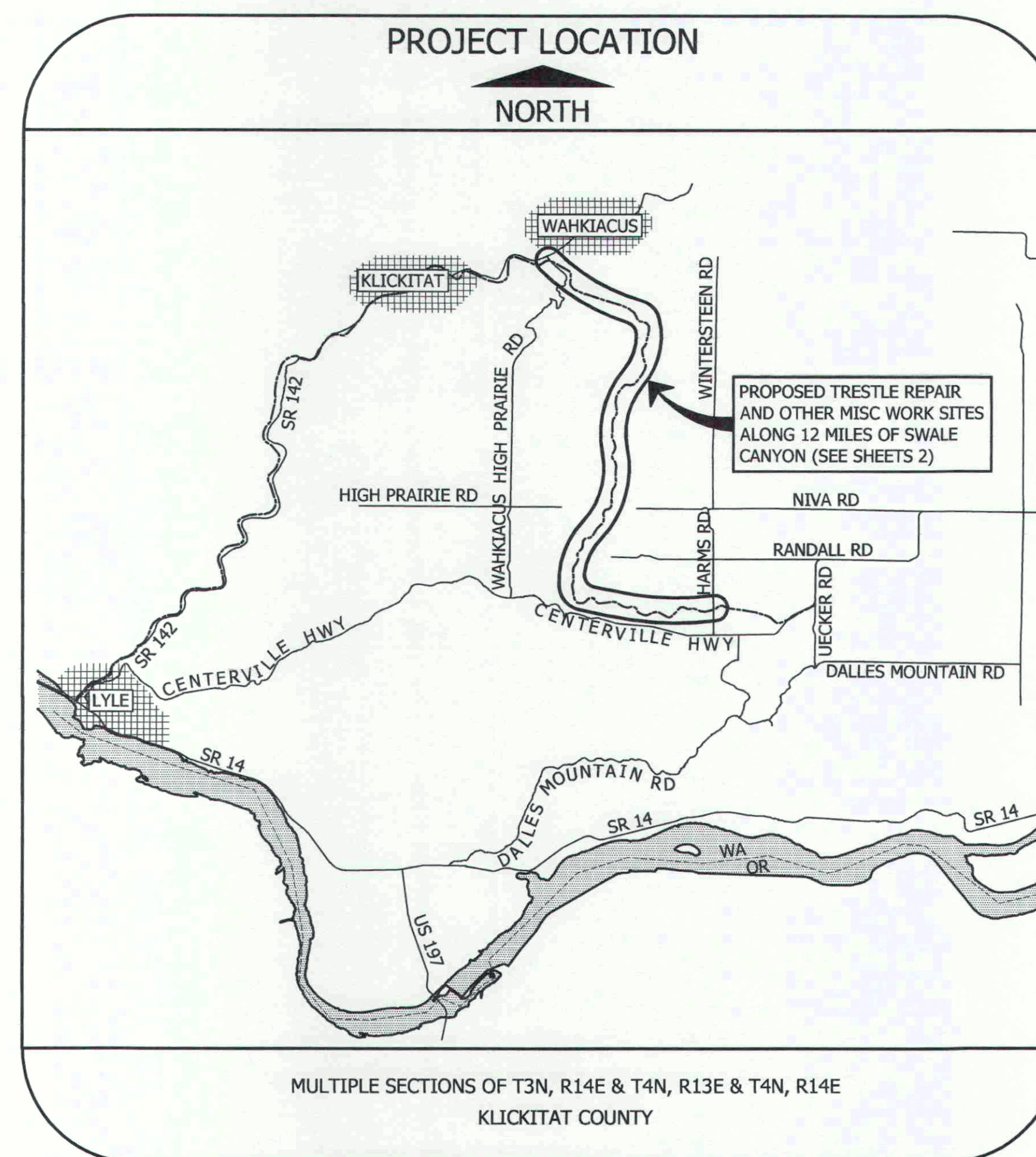
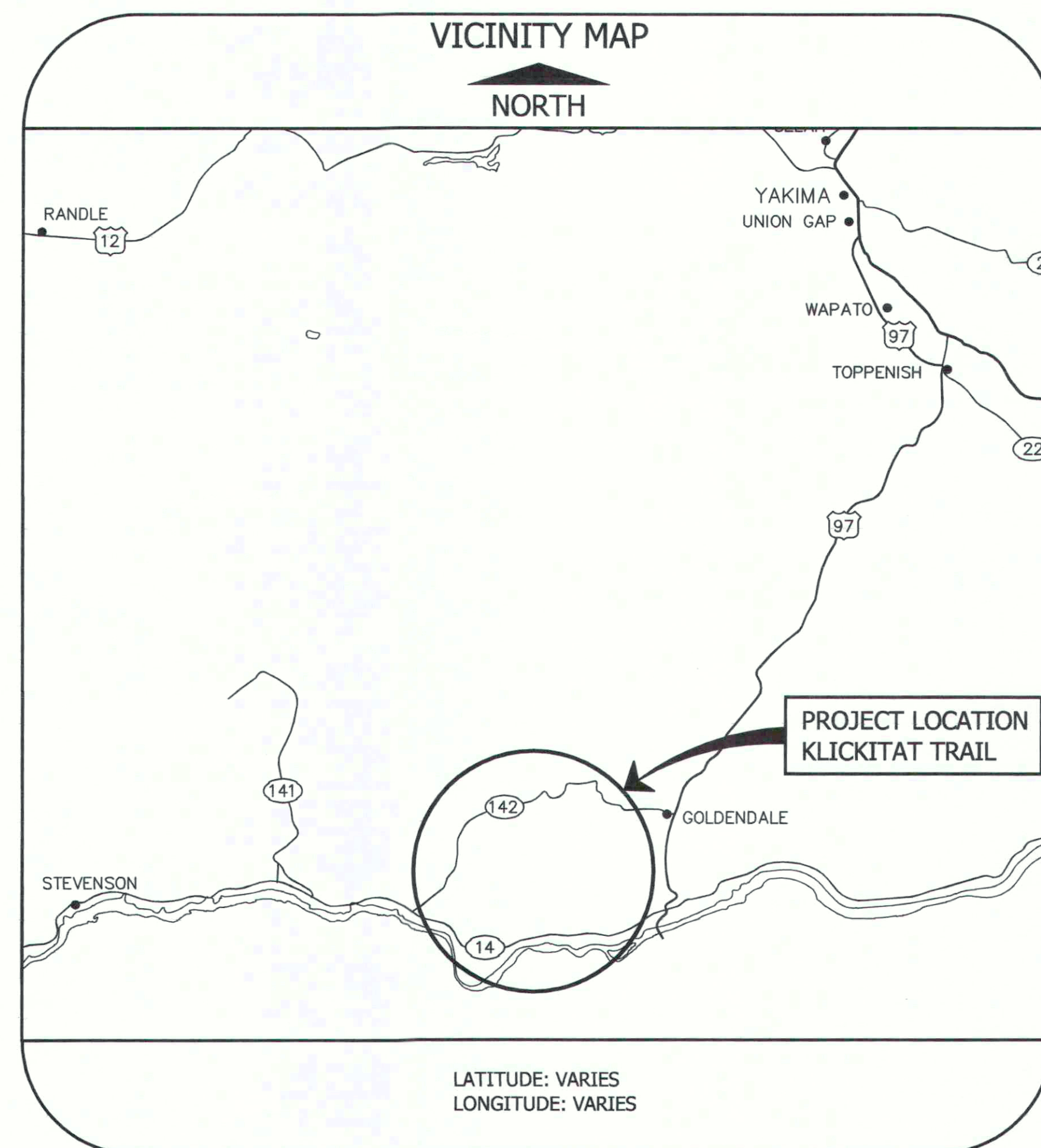


APPROVED FOR CONSTRUCTION

 3/26/2024
 REGION MANAGER date
 3/27/2024
 CAPITAL PROGRAM MANAGER date

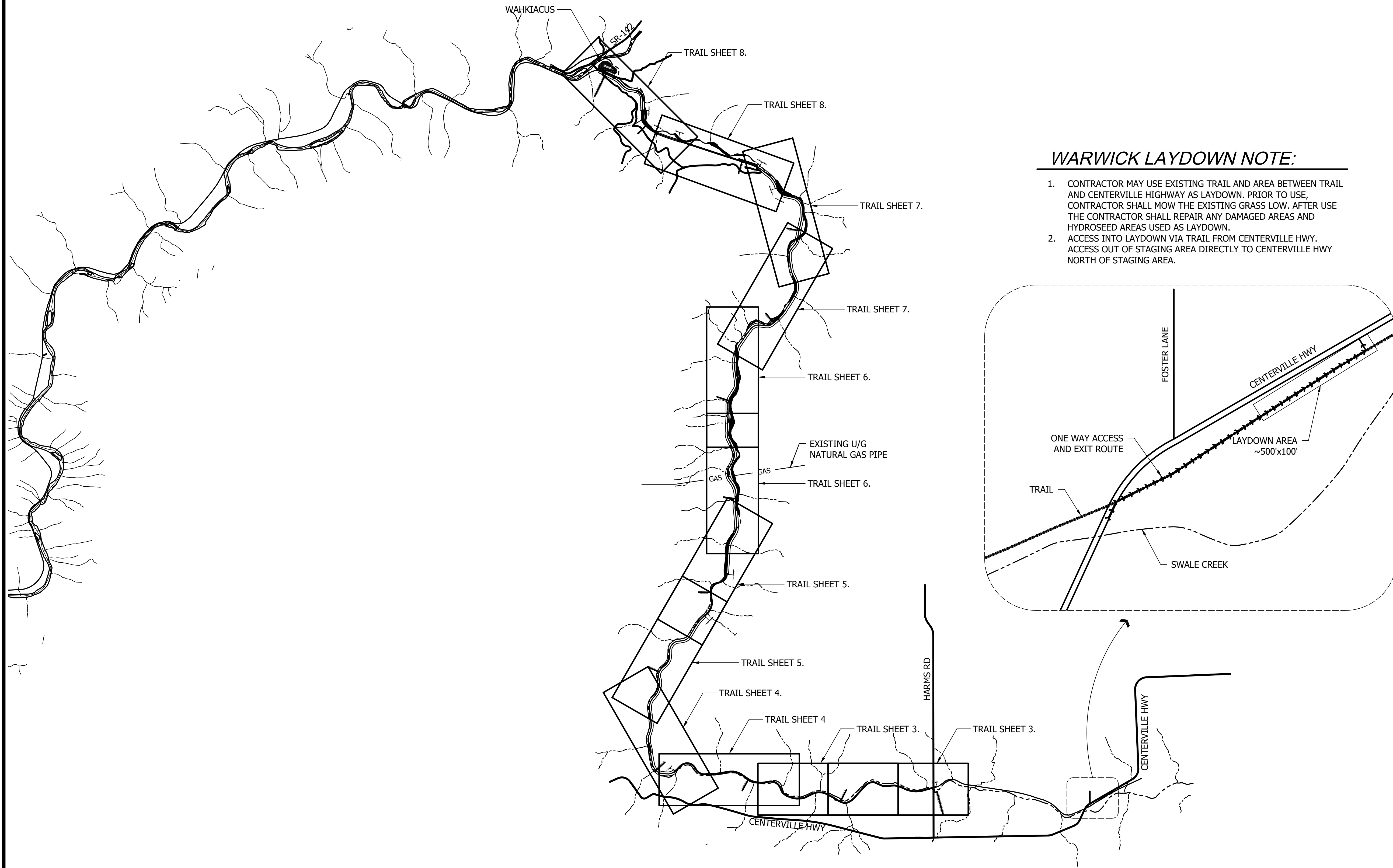
Area Manager: JILL SPRANCE-CARR

KLICKITAT STATE PARK TRAIL SWALE CANYON TRAIL IMPROVEMENTS - REBID



INDEX	
SHEET	DESCRIPTION
	SITE WORK
1	COVER SHEET
2	OVERALL SITE PLAN (PLAN KEY ALONG SWALE CANYON)
3	MILE 0.0-2.0 WORK SITES
4	MILE 2.0-4.0 WORK SITES
5	MILE 4.0-6.0 WORK SITES
6	MILE 6.0-8.0 WORK SITES
7	MILE 8.0-10.0 WORK SITES
8	MILE 10.0-11.73 WORK SITES
9	RR GRADE REPAIR PROFILES
10	TYPICAL TRAIL SECTIONS & WASHOUT REPAIR
11	VEHICLE GATE DETAIL
12	ALT A1 - V-FRAME GATE DETAIL
	TRESTLE REPAIRS
13	TRESTLE 1- MP 0.0 PLAN, ELEVATION, & SECTION
14	TRESTLE 2- MP 1.0 PLAN, ELEVATION, & SECTION
15	TRESTLE 3- MP 1.8 PLAN, ELEVATION, & SECTION
16	TRESTLE 4- MP 5.7 PLAN, ELEVATION, & SECTION
17	TRESTLE 5- MP 6.0 PLAN, ELEVATION, & SECTION
18	TRESTLE 6- MP 7.5 PLAN, ELEVATION, & SECTION
19	TRESTLE 8- MP 8.9 PLAN, ELEVATION, & SECTION
20	TRESTLE 9- MP 10.8 PLAN, ELEVATION, & SECTION
21	TRESTLE RAILING DETAILS
22	TRESTLE DECKING DETAILS

Plotted: Mar 19, 2024 - 9:13 ErikM C:\Temp\AutoCAD Temp Crap\AcPublish_19080\02 Trail Work Sites_rebid.dwg Layout Name: 2 Trail Work Sites - OVERALL



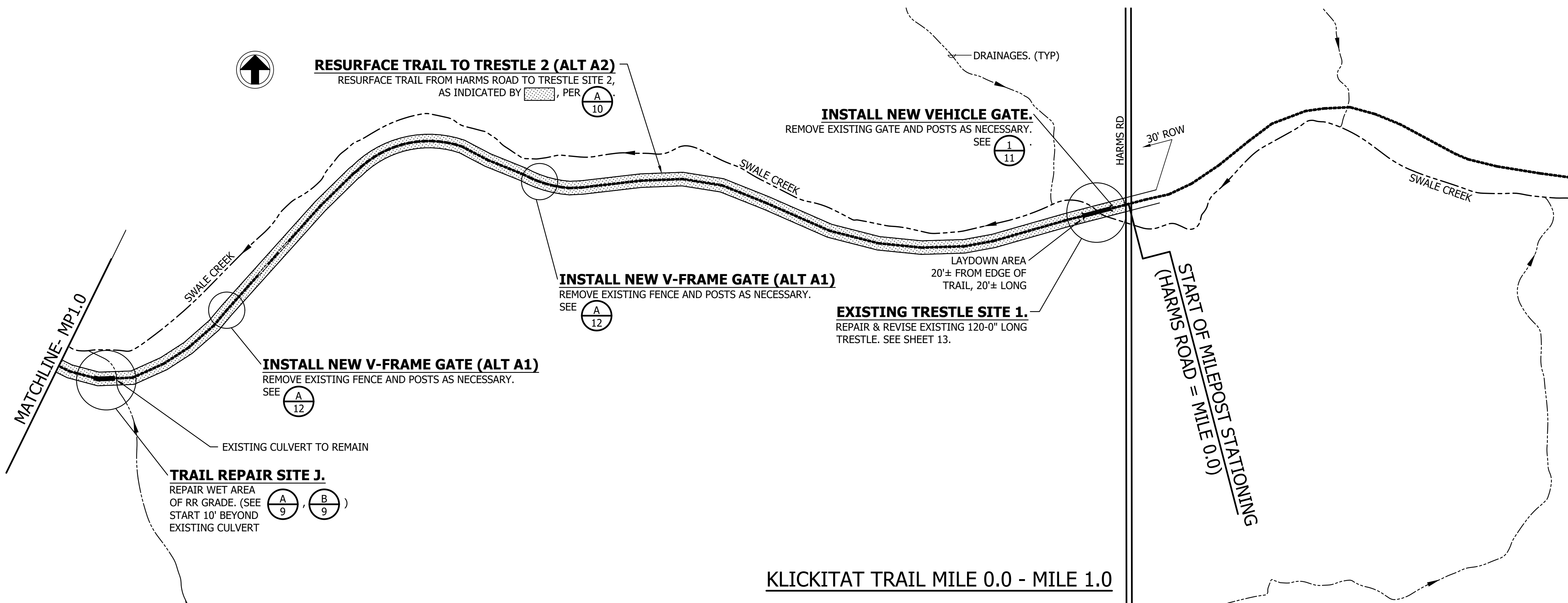
WARWICK LAYDOWN NOTE:

1. CONTRACTOR MAY USE EXISTING TRAIL AND AREA BETWEEN TRAIL AND CENTERVILLE HIGHWAY AS LAYDOWN. PRIOR TO USE, CONTRACTOR SHALL MOW THE EXISTING GRASS LOW. AFTER USE THE CONTRACTOR SHALL REPAIR ANY DAMAGED AREAS AND HYDROSEED AREAS USED AS LAYDOWN.
2. ACCESS INTO LAYDOWN VIA TRAIL FROM CENTERVILLE HWY. ACCESS OUT OF STAGING AREA DIRECTLY TO CENTERVILLE HWY NORTH OF STAGING AREA.

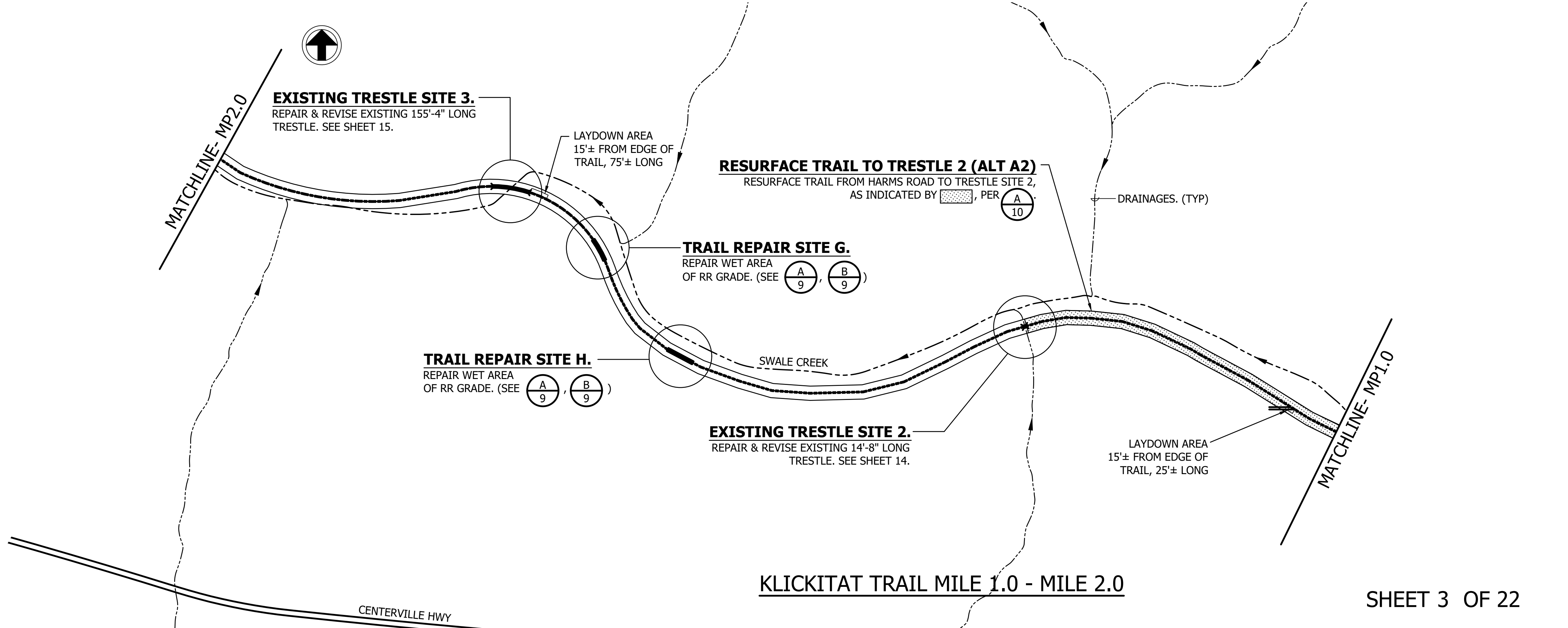
OVERALL SITE PLAN (PLAN KEY ALONG SWALE CANYON)

CAD NO.		DATE
		APP.
		INT.
		REVISIONS
		NO.
ACTION	BY	DATE
DESIGNED	ECM	03/19/2024
DRAWN	OGC	03/19/2024
CHECKED	ECM	03/19/2024
CHECKED (HDQTS.)		
		
<p>SARGENT SARGENT ENGINEERS, INC. 320 Ronlee Lane NW • Olympia, WA 98502 Tel. 360 867-9284 • Fax 360 867-9318 SEI Pr. No. - A22158.00 PROJECT ENGINEER</p>		
<p>WASHINGTON STATE PARKS AND RECREATION COMMISSION</p> 		
<p>KLICKITAT STATE PARK TRAIL</p> <p>SWALE CANYON TRAIL IMPROVEMENTS REBID</p>		
<p>OVERALL SITE PLAN</p>		
SCALE		
<p>NOT TO SCALE</p>		
PARKS FILE#		

Plotted: Mar 19, 2024 - 9:13 ErikM C:\Temp\AutoCAD Temp Crap\AcPublish_19080\02 Trail Work Sites_rebid.dwg Layout Name: 3 Trail Work Sites A



KLICKITAT TRAIL MILE 0.0 - MILE 1.0



KLICKITAT TRAIL MILE 1.0 - MILE 2.0

SHEET 3 OF 22

CAD NO.		
	DATE	
	APP.	
	INT.	
REVISIONS		
	NO.	
ACTION	BY	DATE
DESIGNED	ECM	03/19/2024
DRAWN	OGC	03/19/2024
CHECKED	ECM	03/19/2024
CHECKED (HDQTS.)		

SARGENT
SARGENT ENGINEERS, INC.
320 Ronlee Lane NW • Olympia, WA 98502
Tel. 360 867-9284 • Fax 360 867-9318
SEI Pr. No. - A22158.00
PROJECT ENGINEER

WASHINGTON
STATE
PARKS
AND
RECREATION
COMMISSION

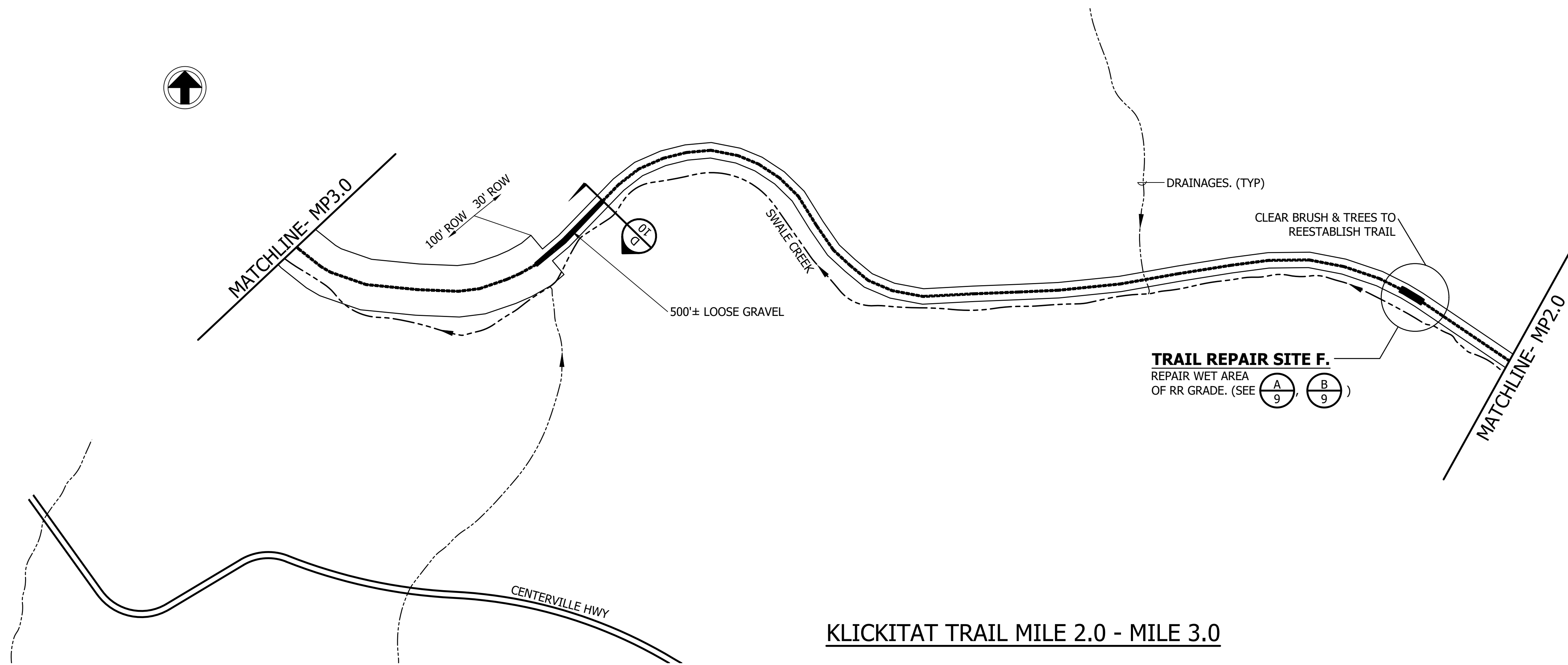
**KLICKITAT STATE
PARK TRAIL**
**SWALE CANYON
TRAIL
IMPROVEMENTS
REBID**

MILE 0.0 - 2.0
WORK SITES

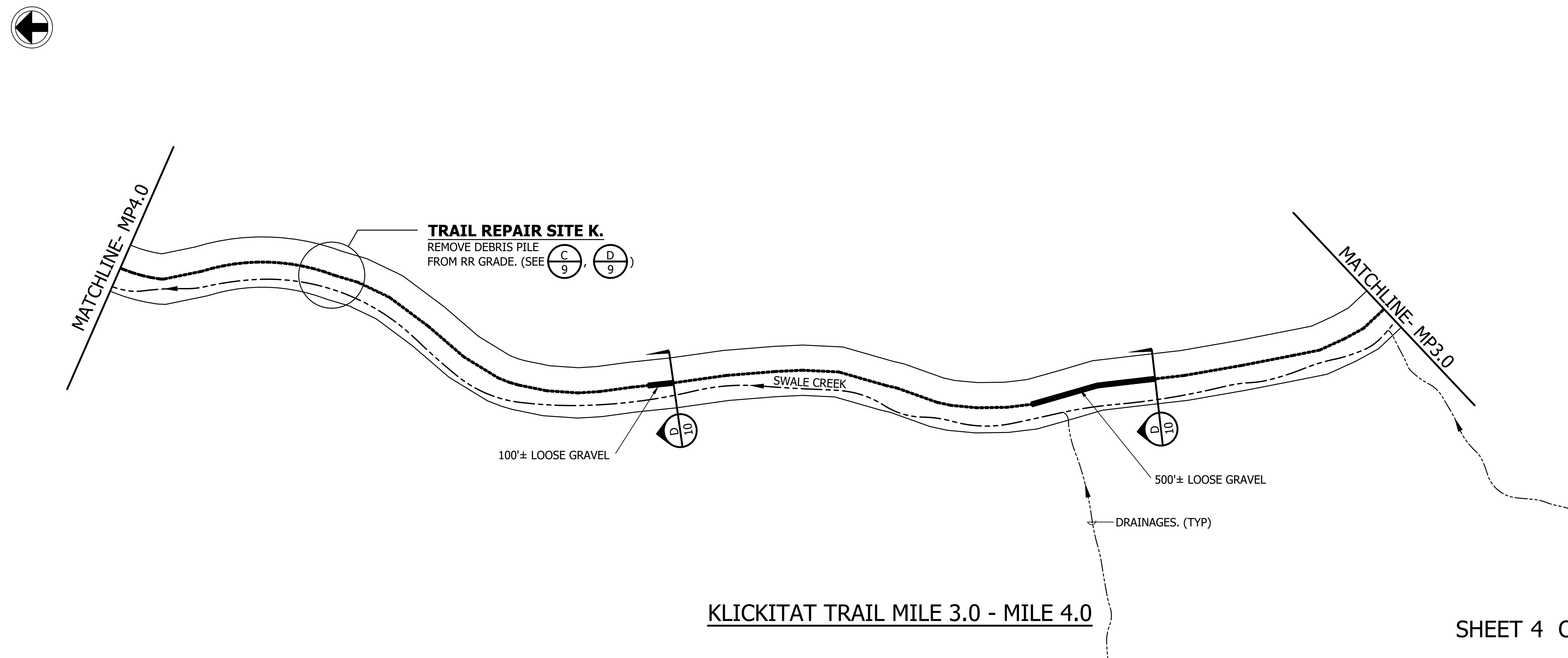
SCALE
AS SHOWN

PARKS FILE#

Plotted: Mar 19, 2024 - 9:13 ErikM C:\Temp\AutoCAD Temp Crap\AcPublish_19080\02 Trail Work Sites_rebid.dwg Layout Name: 4 Trail Work Sites B



KLICKITAT TRAIL MILE 2.0 - MILE 3.0



KLICKITAT TRAIL MILE 3.0 - MILE 4.0

SHEET 4 OF 22

CAD NO.		DATE
		APP.
		INT.
		REVISIONS
		NO.
ACTION	BY	DATE
DESIGNED	ECM	03/19/2024
DRAWN	OGC	03/19/2024
CHECKED	ECM	03/19/2024
CHECKED (HDQTS.)		

SARGENT

 SARGENT ENGINEERS, INC.

 320 Ronlee Lane NW • Olympia, WA 98502

 Tel. 360 867-9284 • Fax 360 867-9318

 SEI Pr. No. - A22158.00

 PROJECT ENGINEER

WASHINGTON STATE PARKS AND RECREATION COMMISSION

KLICKITAT STATE PARK TRAIL

SWALE CANYON TRAIL IMPROVEMENTS

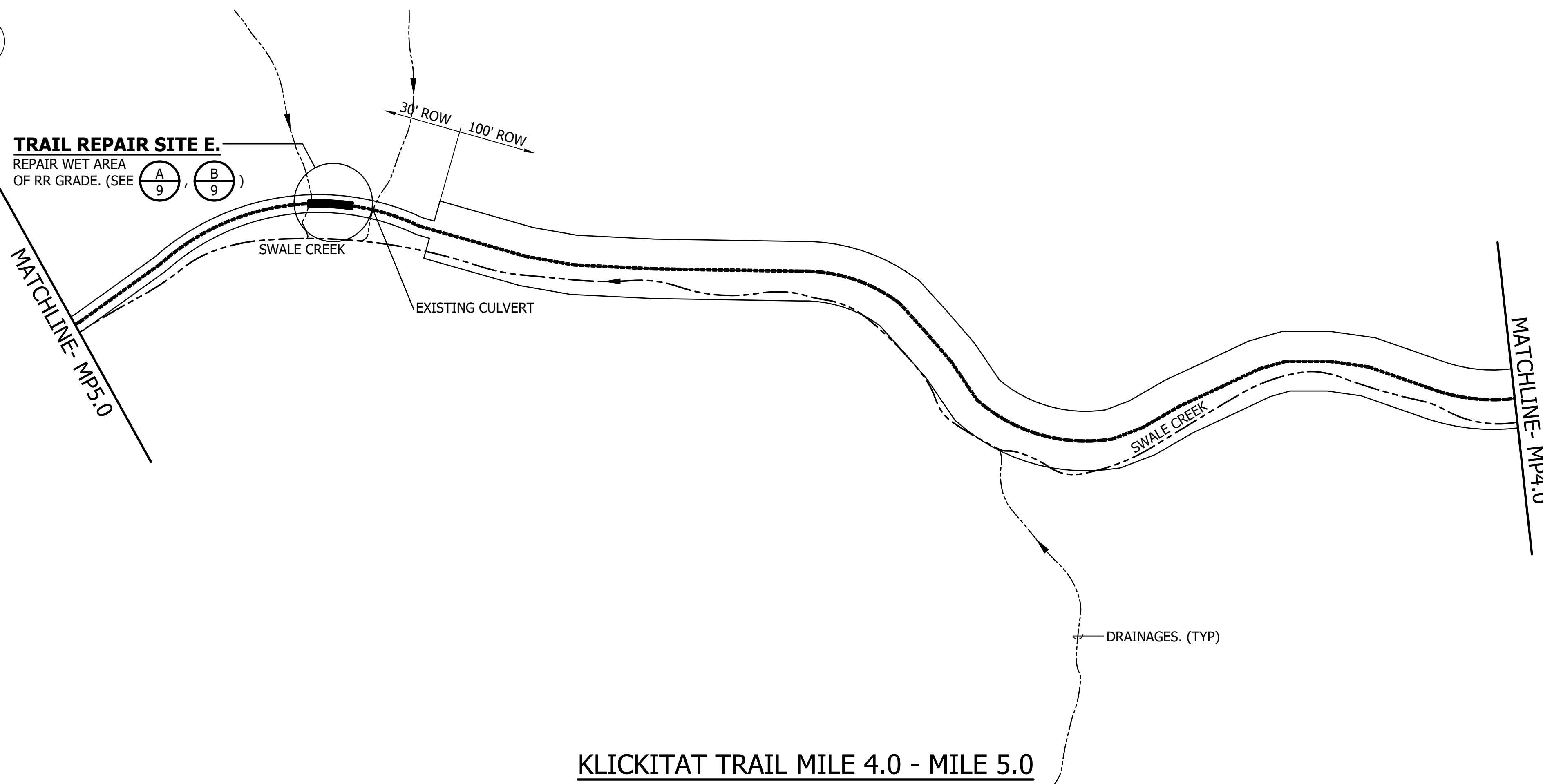
REBID

MILE 2.0 - 4.0 WORK SITES

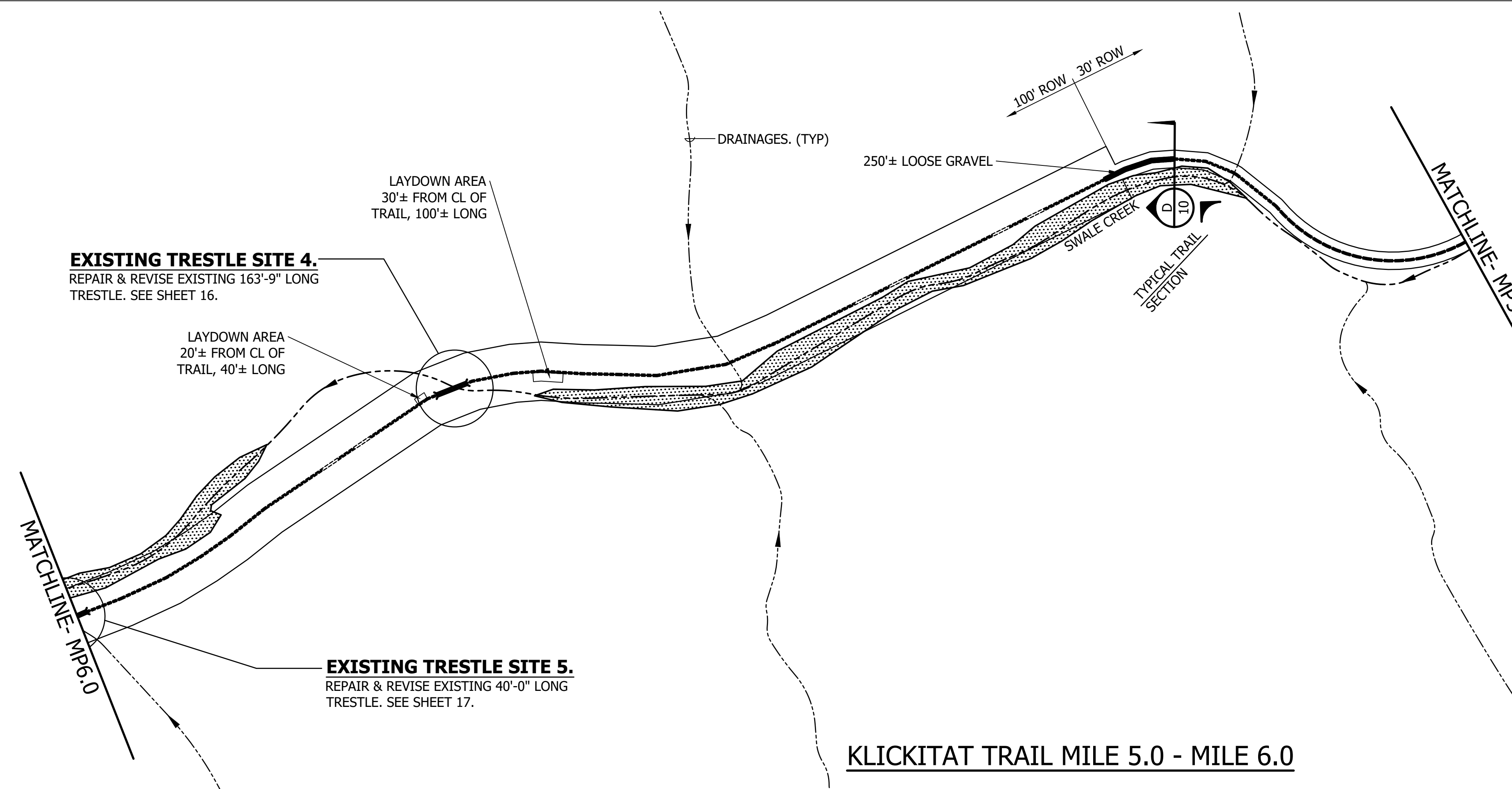
SCALE AS SHOWN

PARKS FILE#

Plotted: Mar 19, 2024 - 9:13 ErikM C:\Temp\AutoCAD Temp Crap\AcPublish_19080\02 Trail Work Sites_rebid.dwg Layout Name: 5 Trail Work Sites C



KLICKITAT TRAIL MILE 4.0 - MILE 5.0



KLICKITAT TRAIL MILE 5.0 - MILE 6.0

SHEET 5 OF 22

CAD NO.

	DATE
	APP.
	INT.
	REVISIONS
	NO.

ACTION	BY	DATE
DESIGNED	ECM	03/19/2024
DRAWN	OGC	03/19/2024
CHECKED	ECM	03/19/2024
CHECKED (HDQTS.)		

03/19/2024
SARGENT
 SARGENT ENGINEERS, INC.
 320 Ronlee Lane NW • Olympia, WA 98502
 Tel. 360 867-9284 • Fax 360 867-9318
 SEI Pr. No. - A22158.00
 PROJECT ENGINEER

WASHINGTON
 STATE
 PARKS
 AND
 RECREATION
 COMMISSION

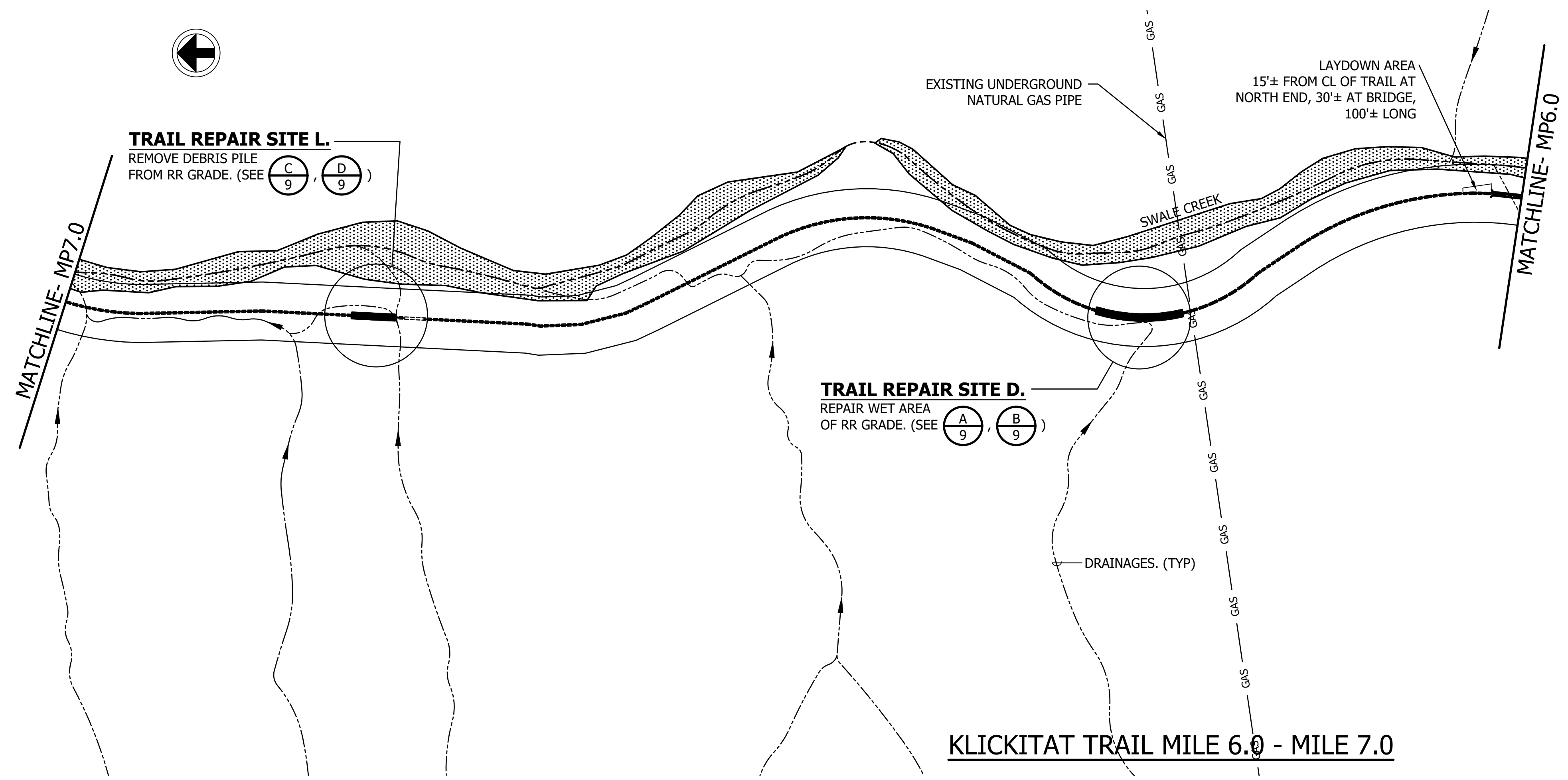
**KLICKITAT STATE
 PARK TRAIL**
**SWALE CANYON
 TRAIL
 IMPROVEMENTS
 REBID**

MILE 4.0 - 6.0
 WORK SITES

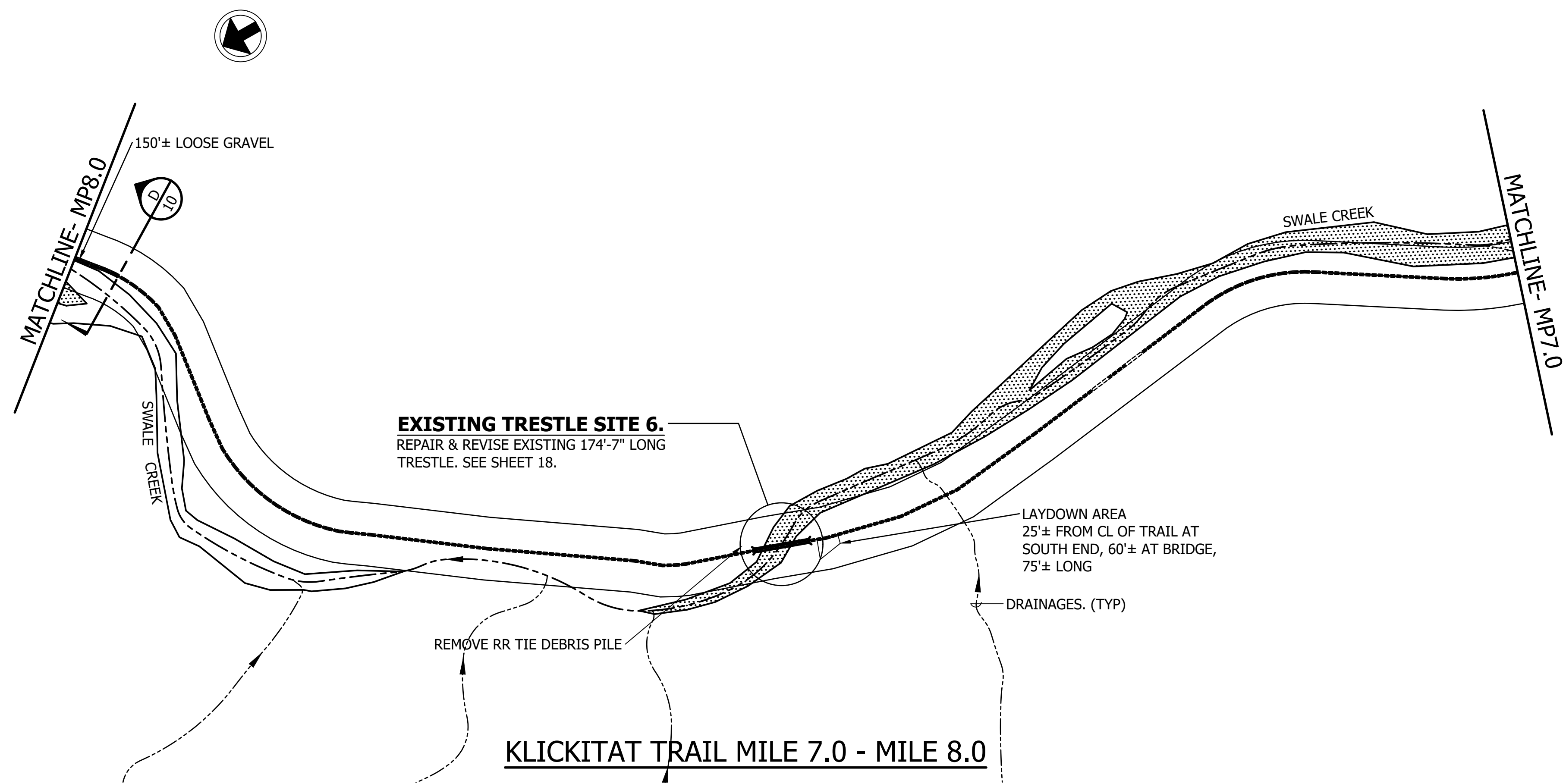
SCALE
AS SHOWN

PARKS FILE#

Plotted: Mar 19, 2024 - 9:13 ErikM C:\Temp\AutoCAD Temp Crap\AcPublish_19080\02 Trail Work Sites_rebid.dwg Layout Name: 6 Trail Work Sites D



KLICKITAT TRAIL MILE 6.0 - MILE 7.0



KLICKITAT TRAIL MILE 7.0 - MILE 8.0

SHEET 6 OF 22

CAD NO.

	DATE
	APP.
	INT.
	REVISIONS
	NO.

ACTION	BY	DATE
DESIGNED	ECM	03/19/2024
DRAWN	OGC	03/19/2024
CHECKED	ECM	03/19/2024
CHECKED (HDQTS.)		

SARGENT
SARGENT ENGINEERS, INC.
320 Ronlee Lane NW • Olympia, WA 98502
Tel. 360 867-9284 • Fax 360 867-9318
SEI Pr. No. - A22158.00
PROJECT ENGINEER

WASHINGTON
STATE
PARKS
AND
RECREATION
COMMISSION

**KLICKITAT STATE
PARK TRAIL**

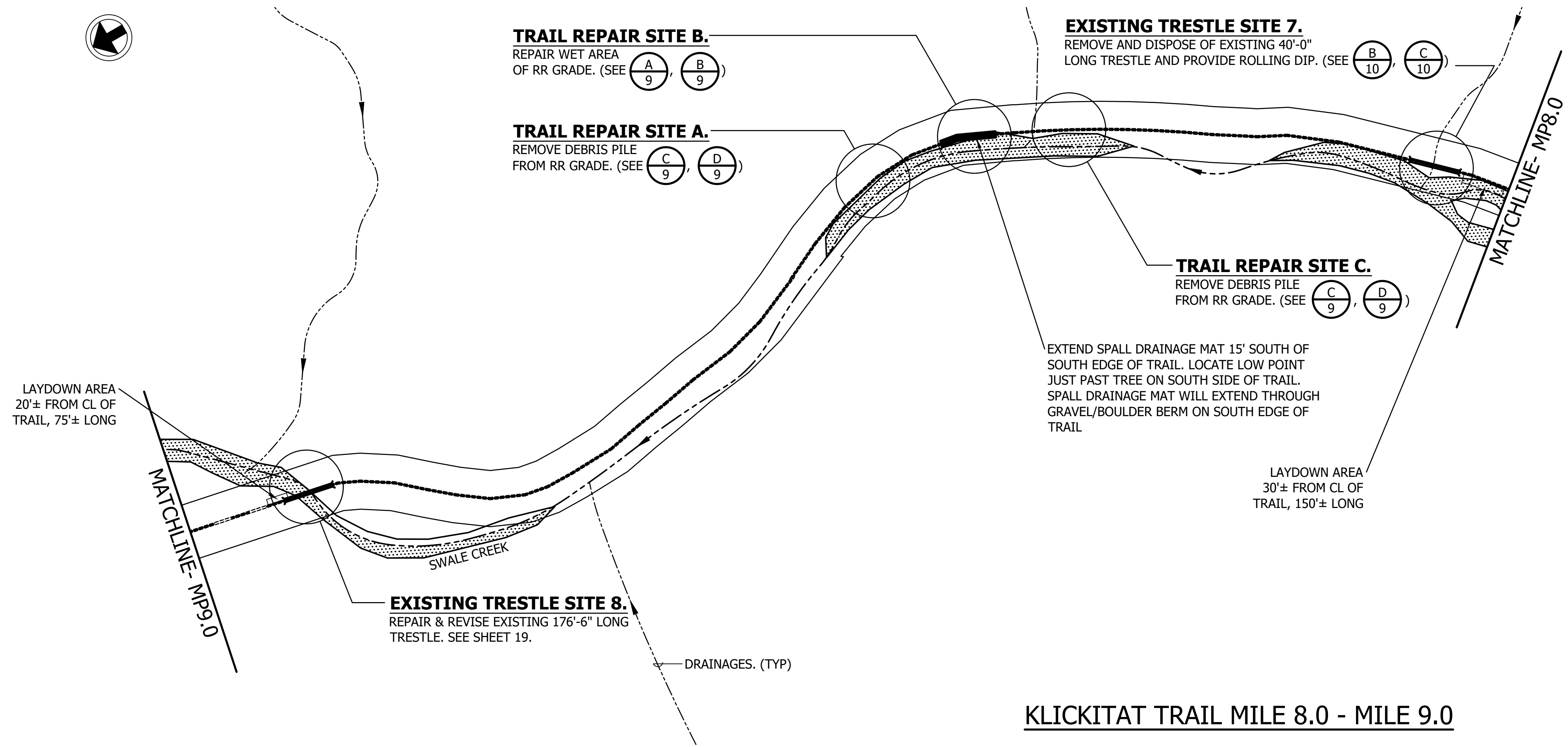
**SWALE CANYON
TRAIL
IMPROVEMENTS
REBID**

**MILE 6.0 - 8.0
WORK SITES**

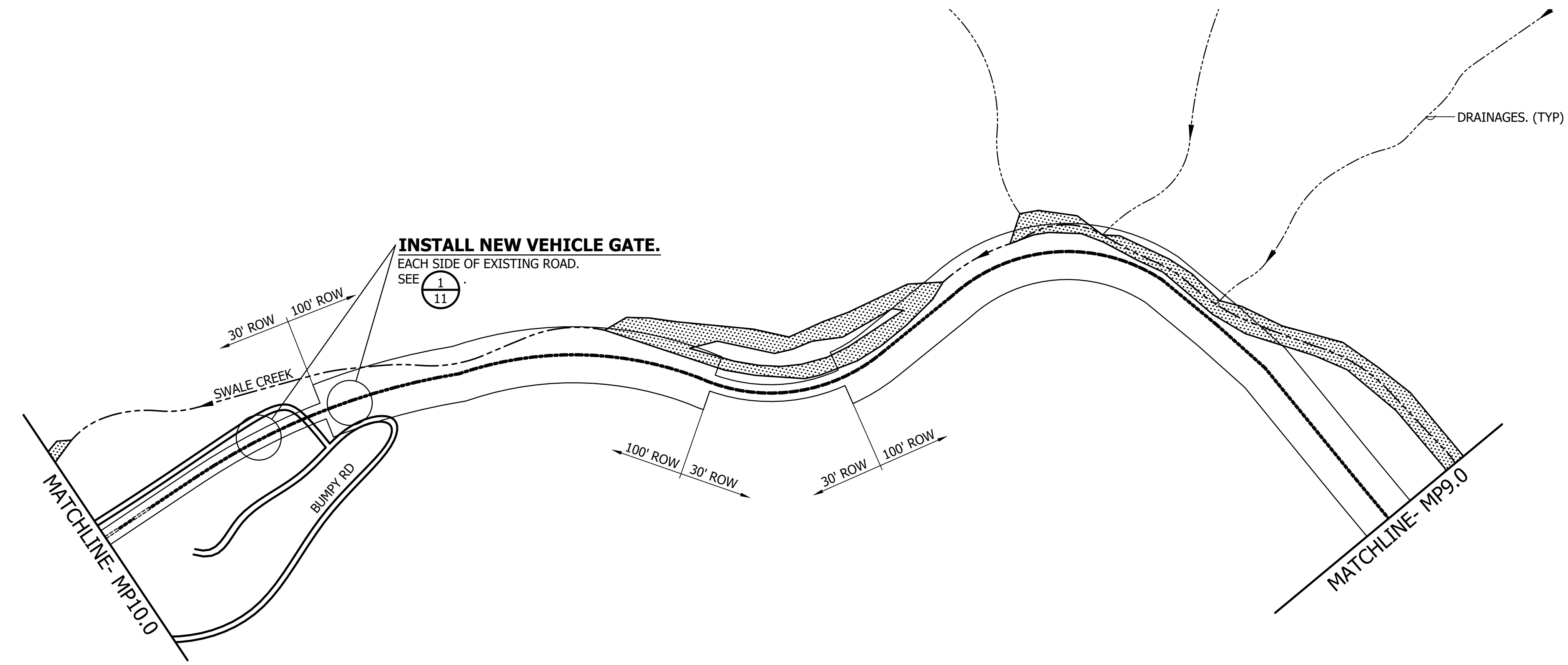
SCALE
AS SHOWN

PARKS FILE#

Plotted: Mar 19, 2024 - 9:13 ErikM C:\Temp\AutoCAD Temp Crap\AcPublish_19080\02 Trail Work Sites_rebid.dwg Layout Name: 7 Trail Work Sites E



KLICKITAT TRAIL MILE 8.0 - MILE 9.0



KLICKITAT TRAIL MILE 9.0 - MILE 10.0

SHEET 7 OF 22

CAD NO.		DATE
		APP.
		INT.
		REVISIONS
		NO.
ACTION	BY	DATE
DESIGNED	ECM	03/19/2024
DRAWN	OGC	03/19/2024
CHECKED	ECM	03/19/2024
CHECKED (HDQTS.)		

03/19/2024

SARGENT
SARGENT ENGINEERS, INC.
320 Ronlee Lane NW • Olympia, WA 98502
Tel. 360 867-9284 • Fax 360 867-9318
SEI Pr. No. - A22158.00
PROJECT ENGINEER

WASHINGTON STATE PARKS AND RECREATION COMMISSION

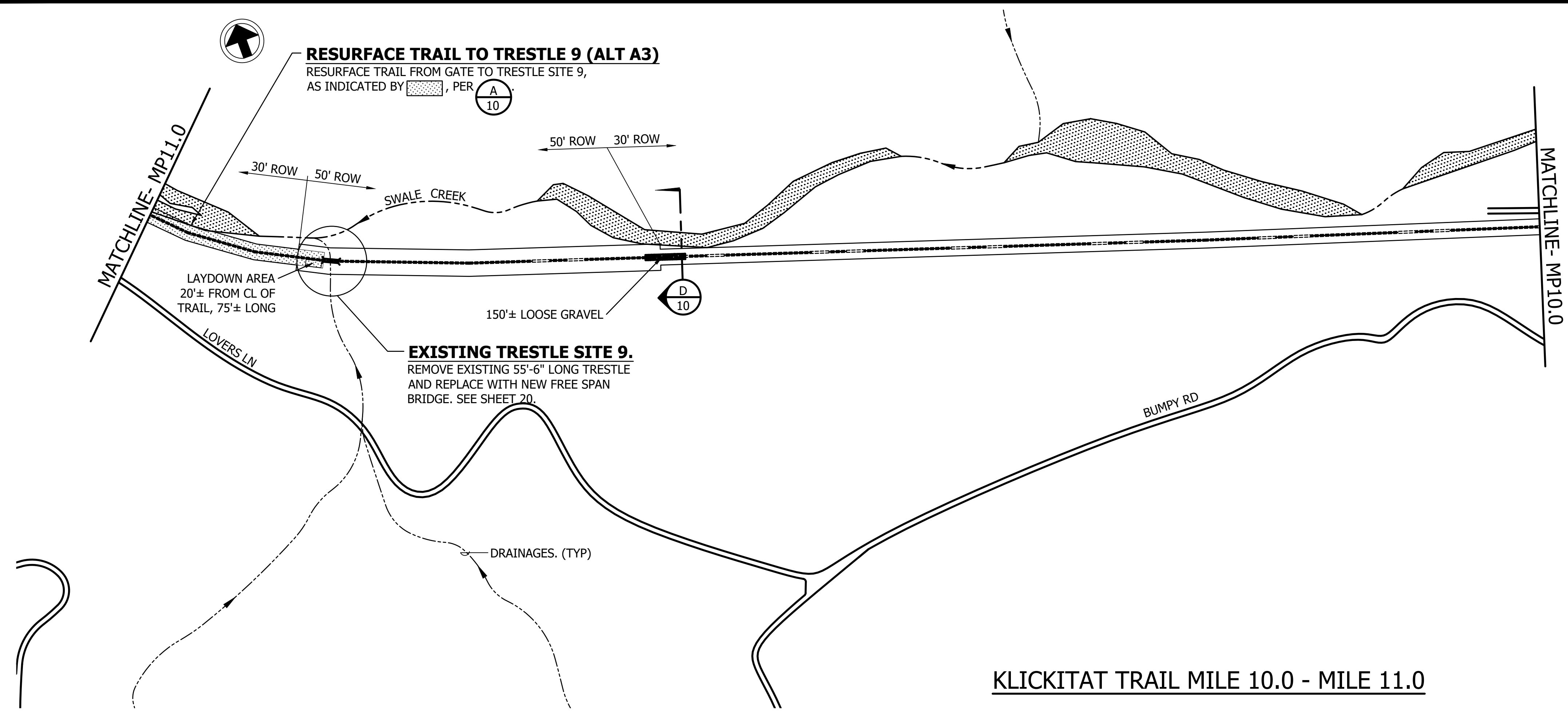
KLICKITAT STATE PARK TRAIL
SWALE CANYON TRAIL IMPROVEMENTS
REBID

MILE 8.0 - 10.0 WORK SITES

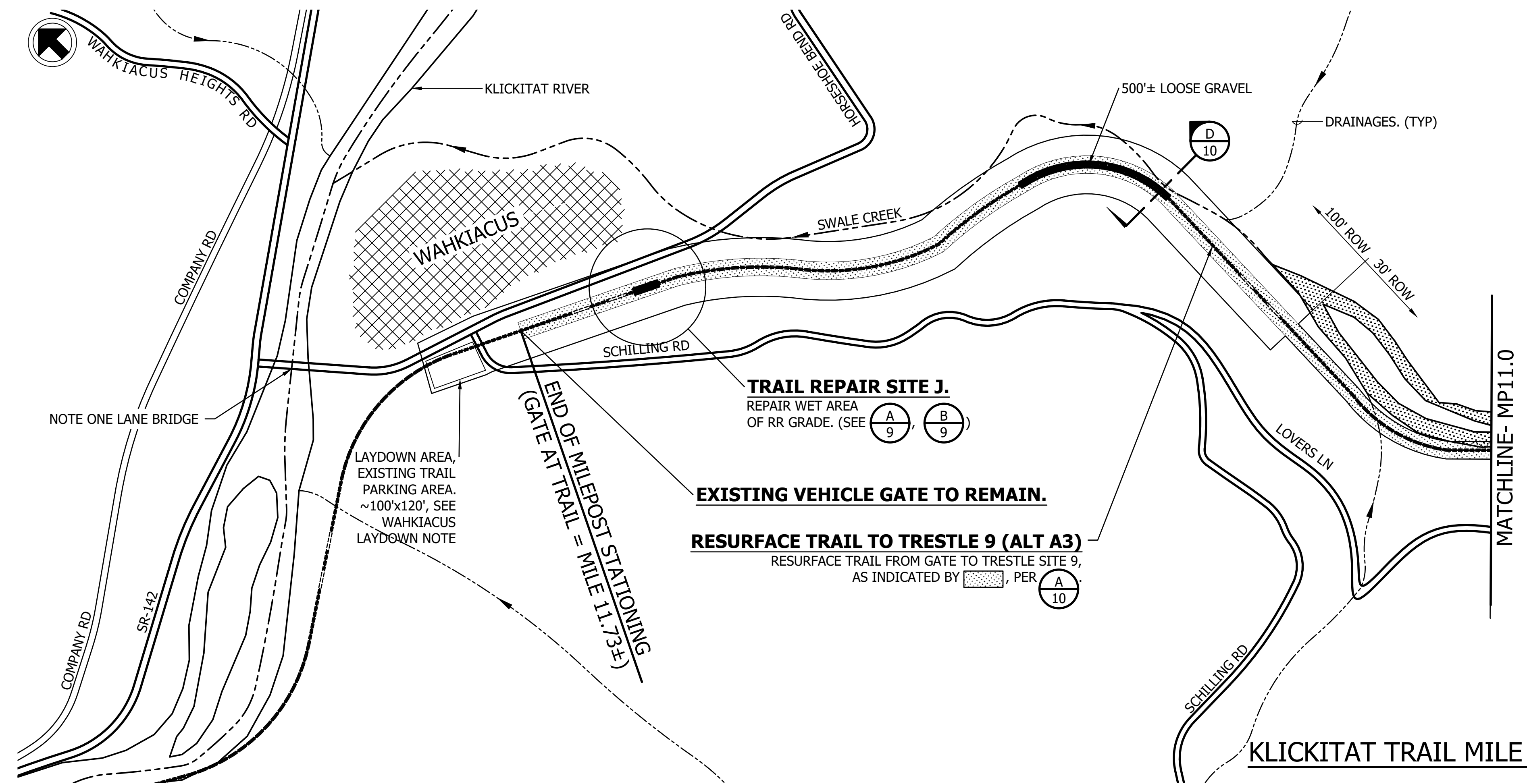
SCALE
AS SHOWN

PARKS FILE#

Plotted: Mar 19, 2024 - 9:13 ErikM C:\Temp\AutoCAD Temp Crap\AcPublish_19080\02 Trail Work Sites_rebid.dwg Layout Name: 8 Trail Work Sites F



KLICKITAT TRAIL MILE 10.0 - MILE 11.0



KLICKITAT TRAIL MILE 11.0 - MILE 11.73

WAHKIACUS LAYDOWN NOTE:

1. CONTRACTOR MAY USE EXISTING GRAVEL LOT ON THE NORTH SIDE OF SCHILLING ROAD AS LAYDOWN AREA. IF USED, THE CONTRACTOR SHALL PLACE 6-INCHES OF CRUSHED ROCK ON TOP OF EXISTING GRAVEL FOR ALL AREAS TO BE USED AS LAYDOWN.

CAD NO.	
	DATE
	APP.
	INT.
REVISIONS	
	NO.

ACTION	BY	DATE
DESIGNED	ECM	03/19/2024
DRAWN	OGC	03/19/2024
CHECKED	ECM	03/19/2024
CHECKED (HDQTS.)		

SARGENT
SARGENT ENGINEERS, INC.
320 Ronlee Lane NW • Olympia, WA 98502
Tel. 360 867-9284 • Fax 360 867-9318
SEI Pr. No. - A22158.00
PROJECT ENGINEER

WASHINGTON
STATE
PARKS
AND
RECREATION
COMMISSION

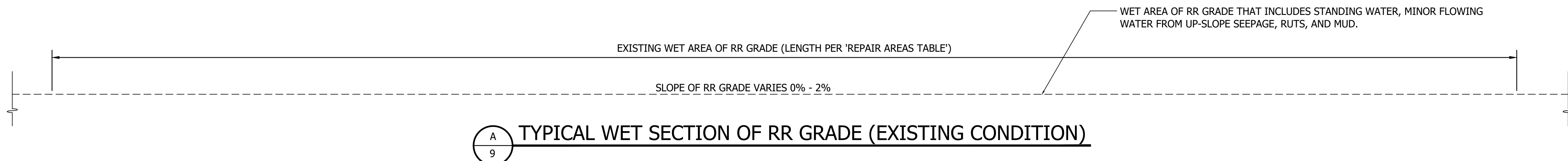
**KLICKITAT STATE
PARK TRAIL**
**SWALE CANYON
TRAIL
IMPROVEMENTS
REBID**

**MILE 10.0 - 11.73
WORK SITES**

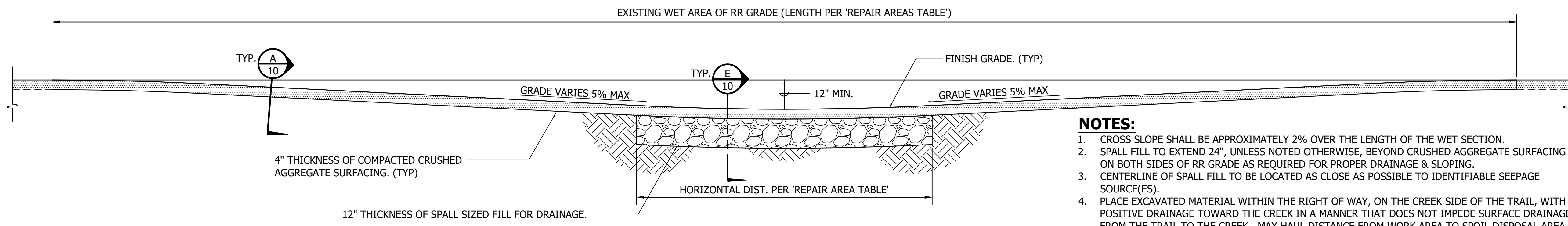
SCALE
NOT TO SCALE

PARKS FILE#

Plotted: Mar 19, 2024 - 9:13 ErikM B:\22Files\A22158.00 WA Parks - Klickitat Trail\Drawings\03 Repair Details_rebid.dwg Layout Name: 9 RR Grade Repair Profiles



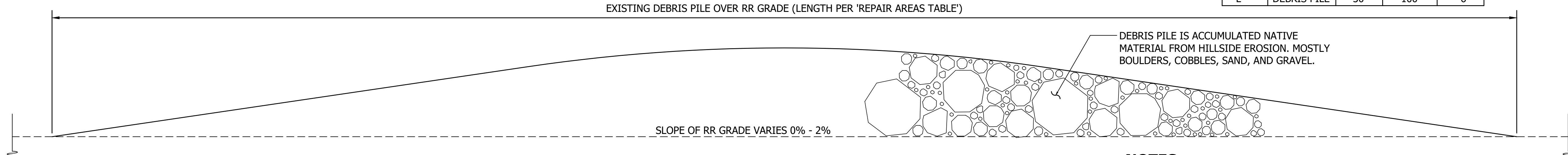
A
9 TYPICAL WET SECTION OF RR GRADE (EXISTING CONDITION)



B
9 TYPICAL WET SECTION OF RR GRADE (REPAIRED SECTION)

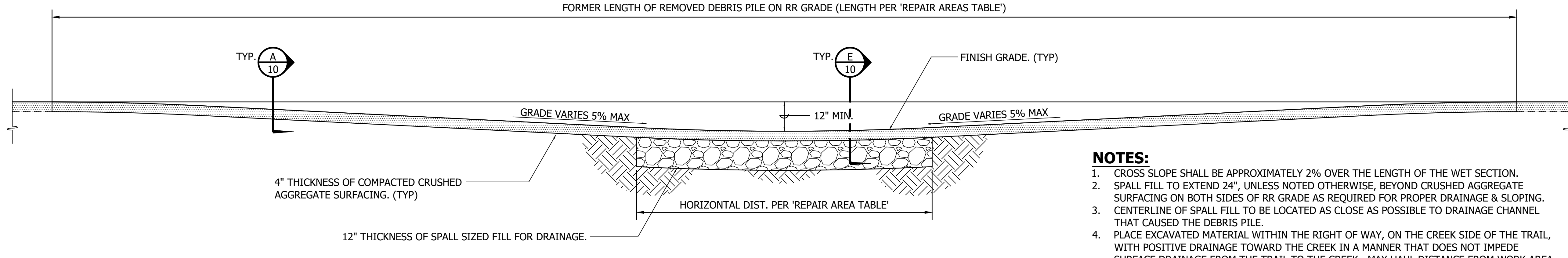
- NOTES:**
- CROSS SLOPE SHALL BE APPROXIMATELY 2% OVER THE LENGTH OF THE WET SECTION.
 - SPALL FILL TO EXTEND 24", UNLESS NOTED OTHERWISE, BEYOND CRUSHED AGGREGATE SURFACING ON BOTH SIDES OF RR GRADE AS REQUIRED FOR PROPER DRAINAGE & SLOPING.
 - CENTERLINE OF SPALL FILL TO BE LOCATED AS CLOSE AS POSSIBLE TO IDENTIFIABLE SEEPAGE SOURCE(S).
 - PLACE EXCAVATED MATERIAL WITHIN THE RIGHT OF WAY, ON THE CREEK SIDE OF THE TRAIL, WITH POSITIVE DRAINAGE TOWARD THE CREEK IN A MANNER THAT DOES NOT IMPEDE SURFACE DRAINAGE FROM THE TRAIL TO THE CREEK. MAX HAUL DISTANCE FROM WORK AREA TO SPOIL DISPOSAL AREA 1000 LF EACH LOCATION

REPAIR AREAS TABLE				
REPAIR SITE	REPAIR TYPE	HORIZ. DIST.	LENGTH	SHT.
A	DEBRIS PILE	30'	70'	7
B	WET AREA	10'	200'	7
C	DEBRIS PILE	35'	80'	7
D	WET AREA	200'	300'	6
E	WET AREA	30'	150'	5
F	WET AREA	30'	100'	4
G	WET AREA	25'	100'	3
H	WET AREA	20'	90'	3
J	WET AREA	30'	90'	3,8
K	DEBRIS PILE	30'	100'	4
L	DEBRIS PILE	30'	100'	6



C
9 TYPICAL RR SECTION AT DEBRIS PILES (EXISTING CONDITION)

- NOTES:**
- EXCAVATE, LOAD, AND TRANSPORT DEBRIS TO ACCEPTABLE AREAS ALONG THE RR GRADE.
 - PLACE EXCAVATED MATERIAL WITHIN THE RIGHT OF WAY, ON THE CREEK SIDE OF THE TRAIL, WITH POSITIVE DRAINAGE TOWARD THE CREEK IN A MANNER THAT DOES NOT IMPEDE SURFACE DRAINAGE FROM THE TRAIL TO THE CREEK. MAX HAUL DISTANCE FROM WORK AREA TO SPOIL DISPOSAL AREA 1000 LF EACH LOCATION
 - RE-ALIGN RR GRADE TO ORIGINAL HORIZONTAL LOCATION.
 - FINISHED SECTION TO BE AS SHOWN BELOW.



D
9 TYPICAL RR SECTION AT DEBRIS PILES (REVISED SECTION)

- NOTES:**
- CROSS SLOPE SHALL BE APPROXIMATELY 2% OVER THE LENGTH OF THE WET SECTION.
 - SPALL FILL TO EXTEND 24", UNLESS NOTED OTHERWISE, BEYOND CRUSHED AGGREGATE SURFACING ON BOTH SIDES OF RR GRADE AS REQUIRED FOR PROPER DRAINAGE & SLOPING.
 - CENTERLINE OF SPALL FILL TO BE LOCATED AS CLOSE AS POSSIBLE TO DRAINAGE CHANNEL THAT CAUSED THE DEBRIS PILE.
 - PLACE EXCAVATED MATERIAL WITHIN THE RIGHT OF WAY, ON THE CREEK SIDE OF THE TRAIL, WITH POSITIVE DRAINAGE TOWARD THE CREEK IN A MANNER THAT DOES NOT IMPEDE SURFACE DRAINAGE FROM THE TRAIL TO THE CREEK. MAX HAUL DISTANCE FROM WORK AREA TO SPOIL DISPOSAL AREA 1000 LF EACH LOCATION

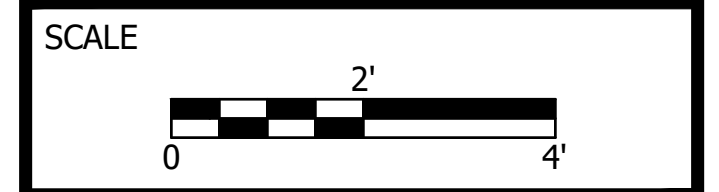
CAD NO.		DATE
		APP.
		INT.
		NO.
ACTION		BY
DESIGNED	ECM	03/19/2024
DRAWN	OGC	03/19/2024
CHECKED	ECM	03/19/2024
CHECKED (HDQTS.)		

SARGENT
SARGENT ENGINEERS, INC.
320 Ronlee Lane NW • Olympia, WA 98502
Tel. 360 867-9284 • Fax 360 867-9318
SEI Pr. No. - A22158.00
PROJECT ENGINEER

WASHINGTON
STATE
PARKS
AND
RECREATION
COMMISSION

KLICKITAT STATE
PARK TRAIL
SWALE CANYON
TRAIL
IMPROVEMENTS
REBID

RR GRADE
REPAIR
PROFILES



PARKS FILE#

CAD NO.	
DATE	
APP.	
INT.	
REVISIONS	
NO.	

ACTION	BY	DATE
DESIGNED	ECM	03/19/2024
DRAWN	OGC	03/19/2024
CHECKED	ECM	03/19/2024
CHECKED (HDQTS.)		

SARGENT
SARGENT ENGINEERS, INC.
320 Ronlee Lane NW • Olympia, WA 98502
Tel. 360 867-9284 • Fax 360 867-9318
SEI Pr. No. - A22158.00
PROJECT ENGINEER

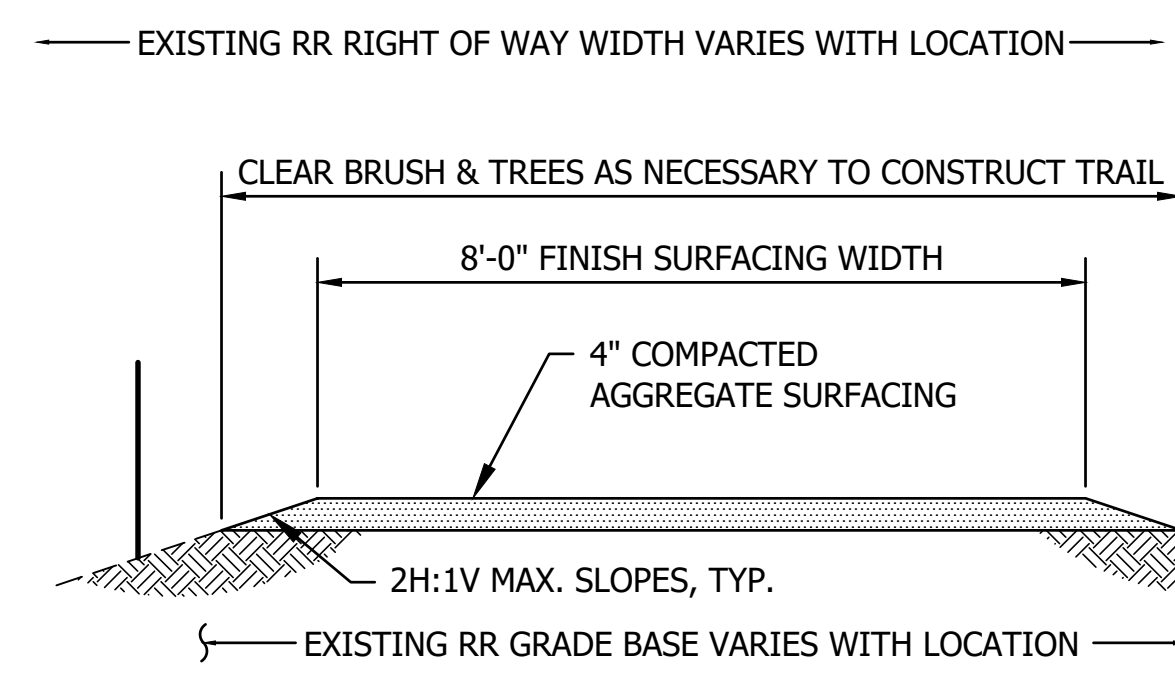
WASHINGTON STATE PARKS AND RECREATION COMMISSION

KLICKITAT STATE PARK TRAIL
SWALE CANYON TRAIL IMPROVEMENTS REBID

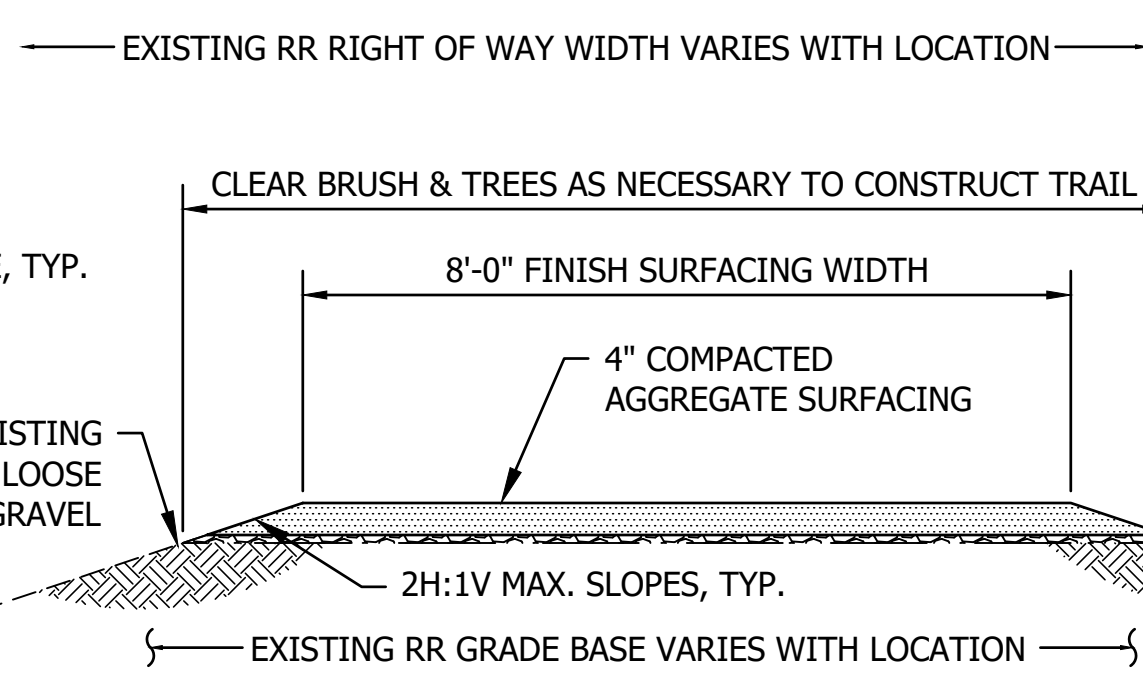
TYPICAL TRAIL SECTIONS AND WASHOUT REPAIR

SCALE AS SHOWN

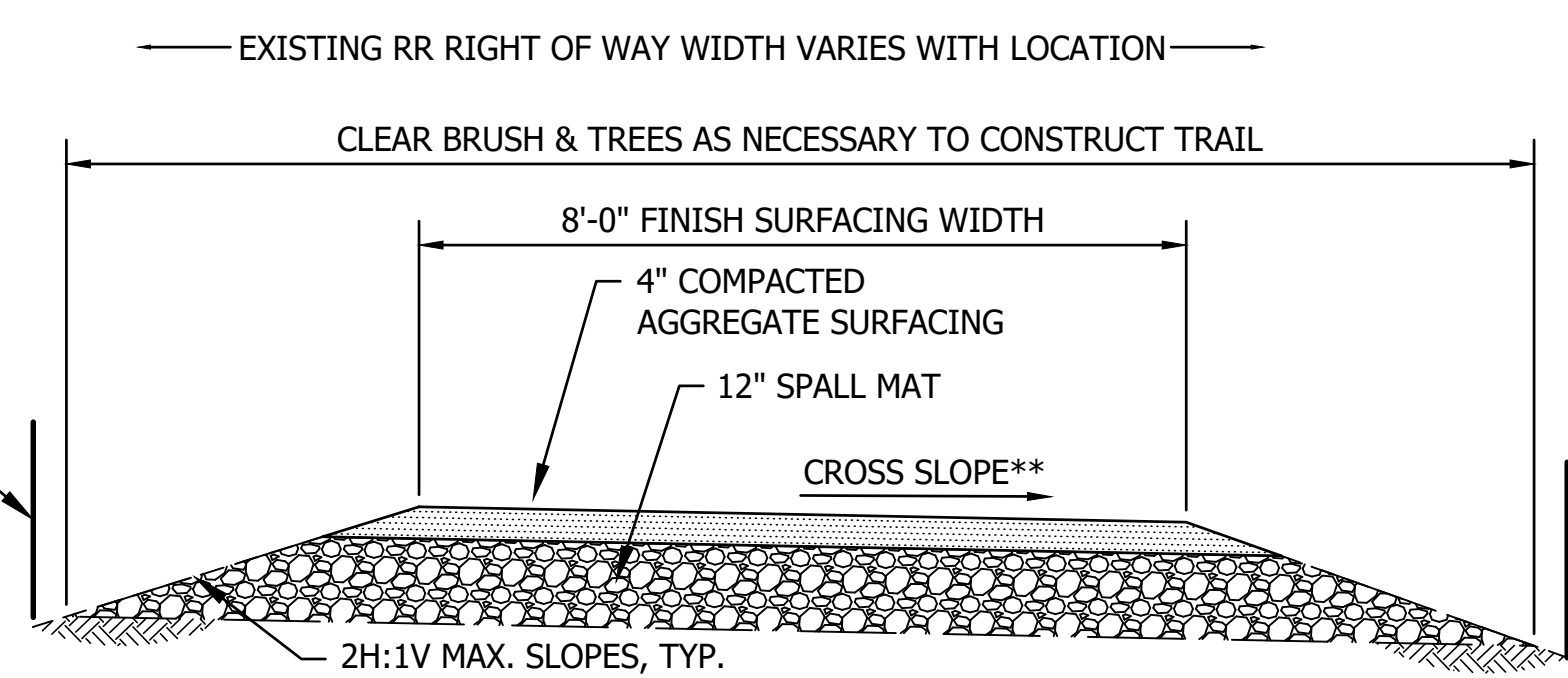
PARKS FILE#



A TYPICAL RR GRADE SURFACING SECTION
10 (SCALE)
0' 2' 4'



D RR GRADE LOOSE GRAVEL RESURFACE SECTION
10 (SCALE)
0' 2' 4'



E TYPICAL WET SECTION REPAIR
10 (SCALE)
0' 2' 4'

** SLOPE PER PLAN TOWARD SWALE CREEK, TYP.

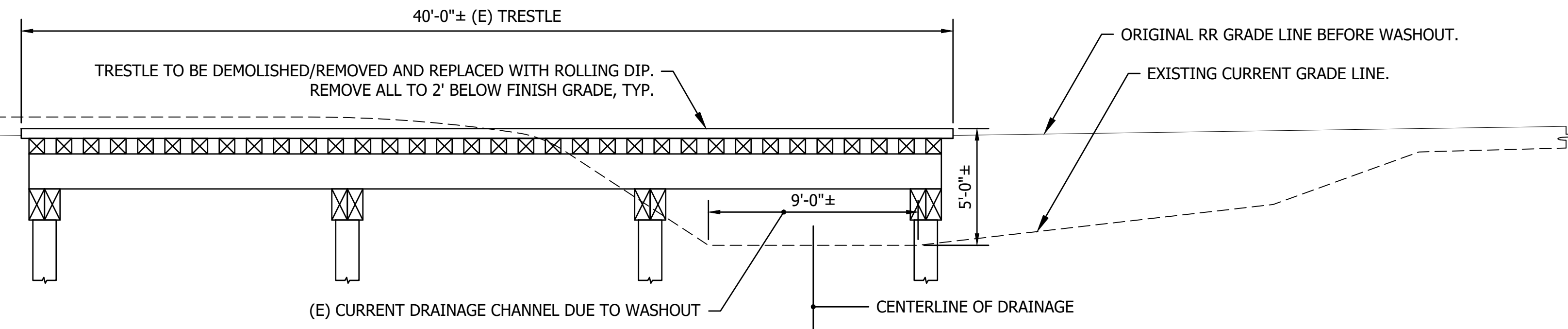
T.E.S.C. NOTES & LEGEND:

- T.E.S.C. MEASURES SHOWN ARE THE MINIMUM ALLOWED.
- CONTRACTOR IS RESPONSIBLE FOR DESIGNING, ESTABLISHING, MAINTAINING, ADJUSTING, AND REMOVING TEMPORARY EROSION CONTROL MEASURE AS REQUIRED FOR NEW CONSTRUCTION. SUBMIT TESC PLAN TO ENGINEER FOR REVIEW AND WRITTEN APPROVAL PRIOR TO PROCEEDING WITH ANY WORK.
- CONTRACTOR SHALL VISIT THE SITE TO DETERMINE THE WORK NECESSARY TO COMPLETE CONSTRUCTION UNDER THIS CONTRACT AS SHOWN AND SPECIFIED ON THESE PLANS AND IN THE PROJECT SPECIFICATIONS.
- SILT FENCE PER WSDOT STD PLAN I-30.15-02 SHALL BE INSTALLED DOWNHILL OF ALL GRADING OPERATIONS.

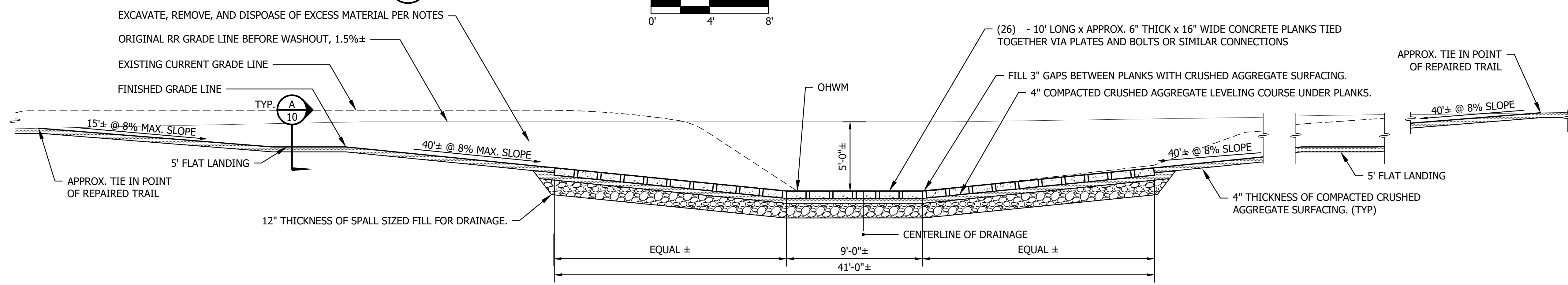
ACCRETION OF SOIL MATERIAL FROM WASHOUT. (MOSTLY BOULDERS, COBBLES, SAND, GRAVEL)

NOTES:

- RE-ESTABLISH DRAINAGE CHANNEL TO CENTERLINE OF DRAINAGE NOTED.
- EXCAVATE, LOAD, AND TRANSPORT WASHOUT MATERIAL TO ACCEPTABLE AREAS ALONG THE RR GRADE (TYPICALLY STREAM SIDE OF TRAIL).
- EXCAVATION EXTENDS TO ACCRETIONS UP THE DRAINAGE CHANNEL AS REQUIRED TO PROPERLY AND GENTLY BLEND INTO THE RE-SLOPED RR GRADE SHOWN.
- DEPOSIT AND GRADE DEBRIS TO BLEND INTO THE SURROUNDINGS.
- RE-ALIGN RR GRADE TO ORIGINAL RR GRADE & CENTERLINE ALIGNMENT.
- FINISHED SECTION TO BE AS SHOWN BELOW.
- 10% MAX SLOPE WITH NO MORE THAN 30' WITHOUT A 5' FLAT LANDING.



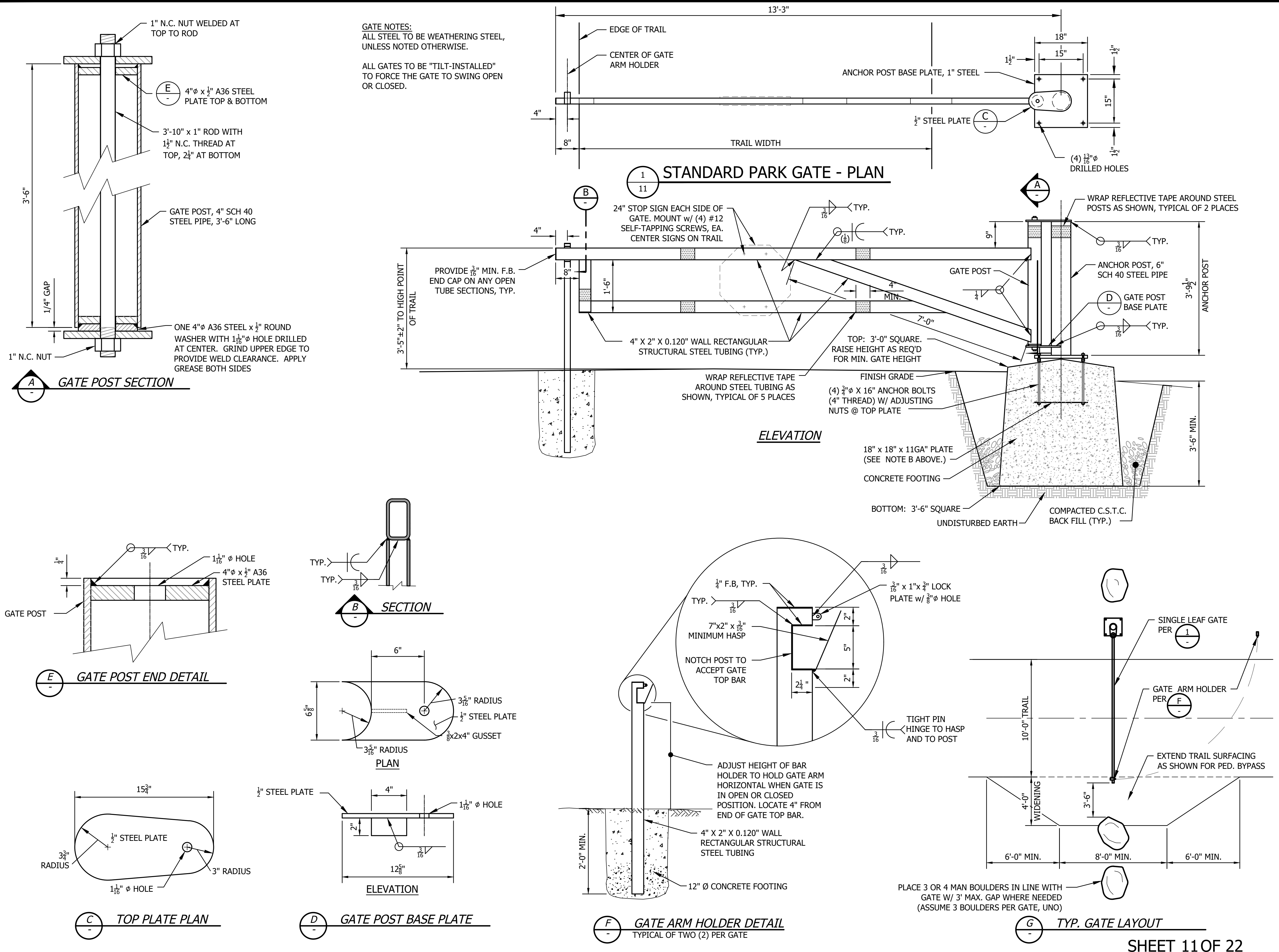
B WASHOUT SECTION OF RR GRADE AT TRESTLE (EXISTING SECTION)
10 (SCALE)
0' 4' 8'



C WASHOUT SECTION OF RR GRADE AT TRESTLE (REVISED SECTION)
10 (SCALE)
0' 4' 8'

Plotted: Mar 19, 2024 - 9:13 ErikM B:\22Files\A22158.00 WA Parks - Klickitat Trail\Drawings\03 Repair Details_rebid.dwg Layout Name: 10 Typical Trail Sections and Washout Repair

Plotted: Mar 19, 2024 - 9:13 ErikM B:\22Files\A22158.00 WA Parks - Klickitat Trail\Drawings\03 Repair Details_rebid.dwg Layout Name: 11 Vehicle Gate Details



CAD NO.

		DATE
		APP.
		INT.
		REVISIONS
		NO.

ACTION	BY	DATE
DESIGNED	ECM	03/19/2024
DRAWN	OGC	03/19/2024
CHECKED	ECM	03/19/2024
CHECKED (HDQTS.)		

03/19/2024
SARGENT
 SARGENT ENGINEERS, INC.
 320 Ronlee Lane NW • Olympia, WA 98502
 Tel. 360 867-9284 • Fax 360 867-9318
 SEI Pr. No. - A22158.00
 PROJECT ENGINEER

WASHINGTON STATE PARKS AND RECREATION COMMISSION

KLICKITAT STATE PARK TRAIL
SWALE CANYON TRAIL IMPROVEMENTS REBID


VEHICLE GATE DETAILS

SCALE: NOT TO SCALE

PARKS FILE#

CAD NO.		
		DATE
		APP.
		INT.
REVISIONS		
		NO.

ACTION	BY	DATE
DESIGNED	ECM	03/19/2024
DRAWN	OGC	03/19/2024
CHECKED	ECM	03/19/2024
CHECKED (HDQTS.)		



SARGENT
 SARGENT ENGINEERS, INC.
 320 Ronlee Lane NW • Olympia, WA 98502
 Tel. 360 867-9284 • Fax 360 867-9318
 SEI Pr. No. - A22158.00
 PROJECT ENGINEER

WASHINGTON
 STATE
 PARKS
 AND
 RECREATION
 COMMISSION



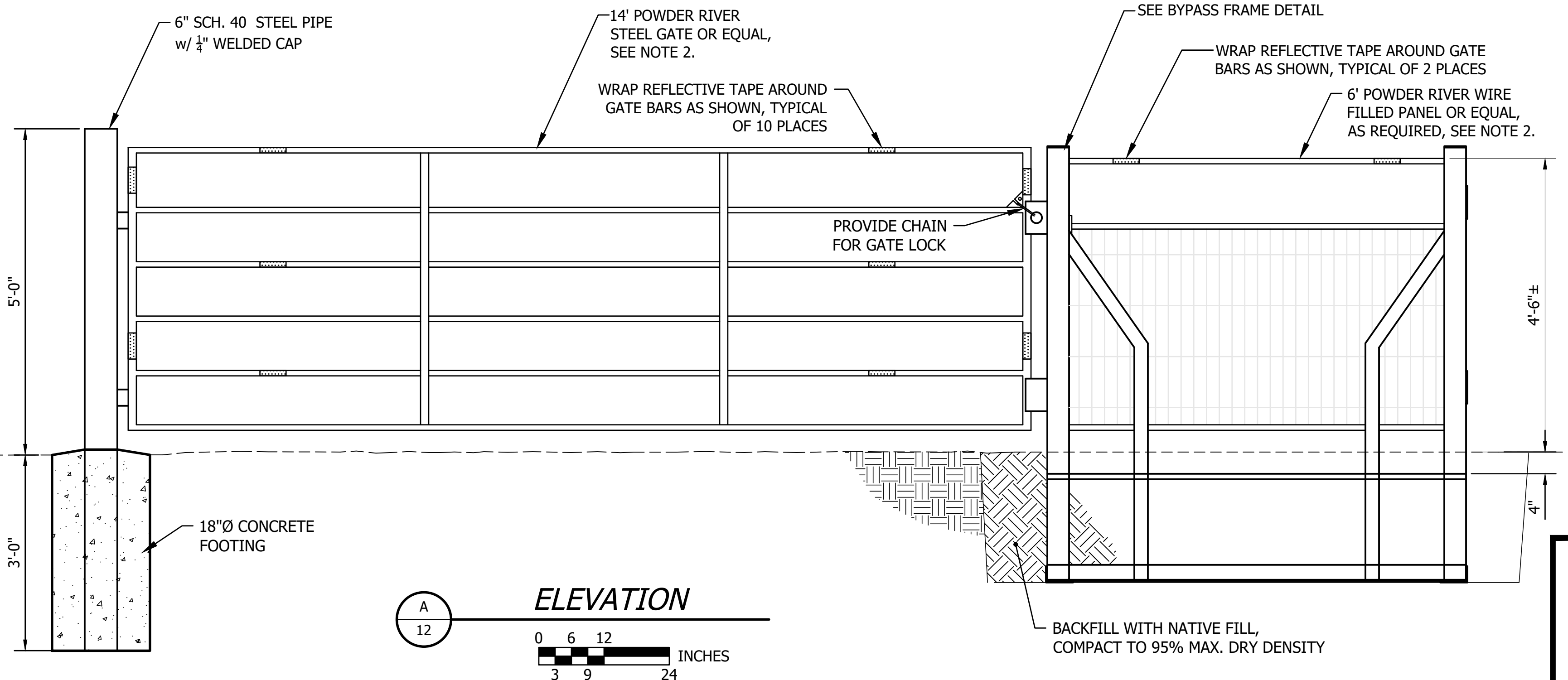
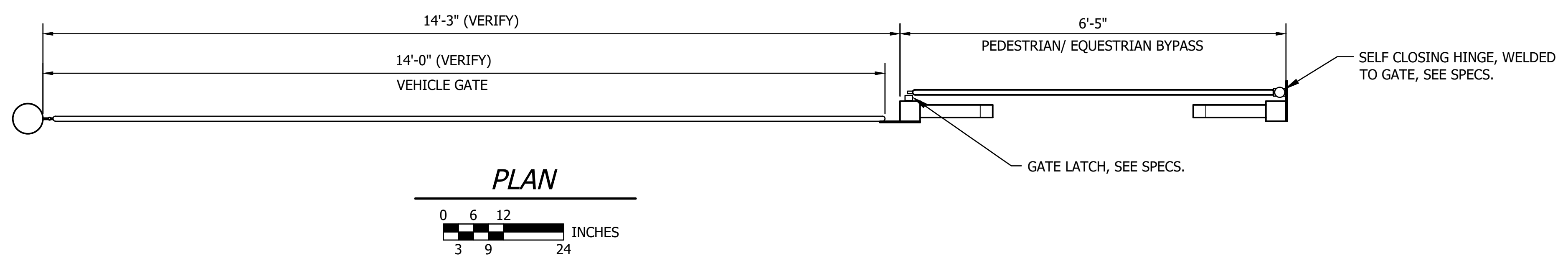
KLICKITAT STATE
PARK TRAIL

SWALE CANYON
TRAIL
IMPROVEMENTS
REBID

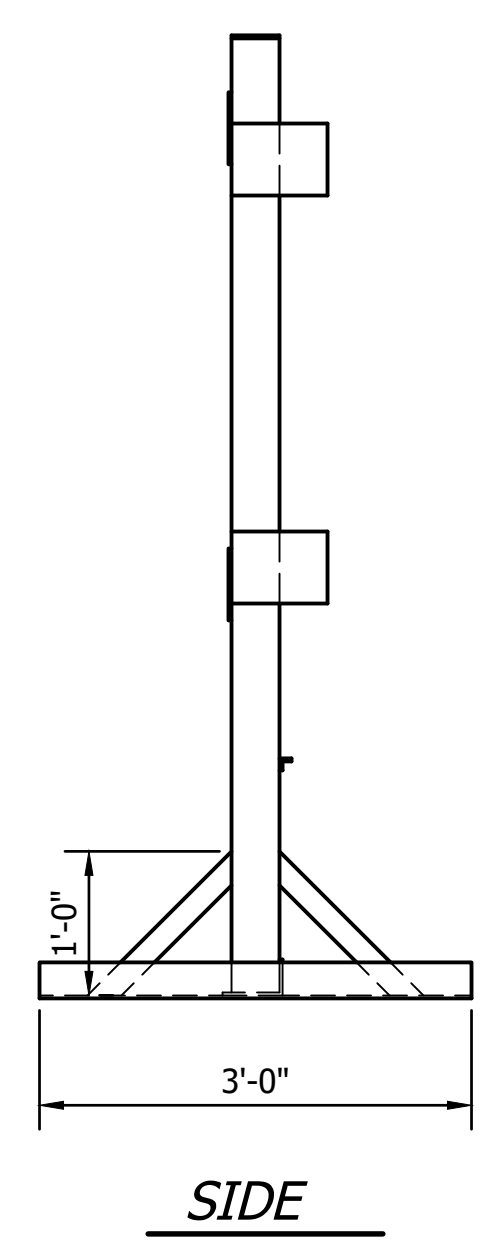
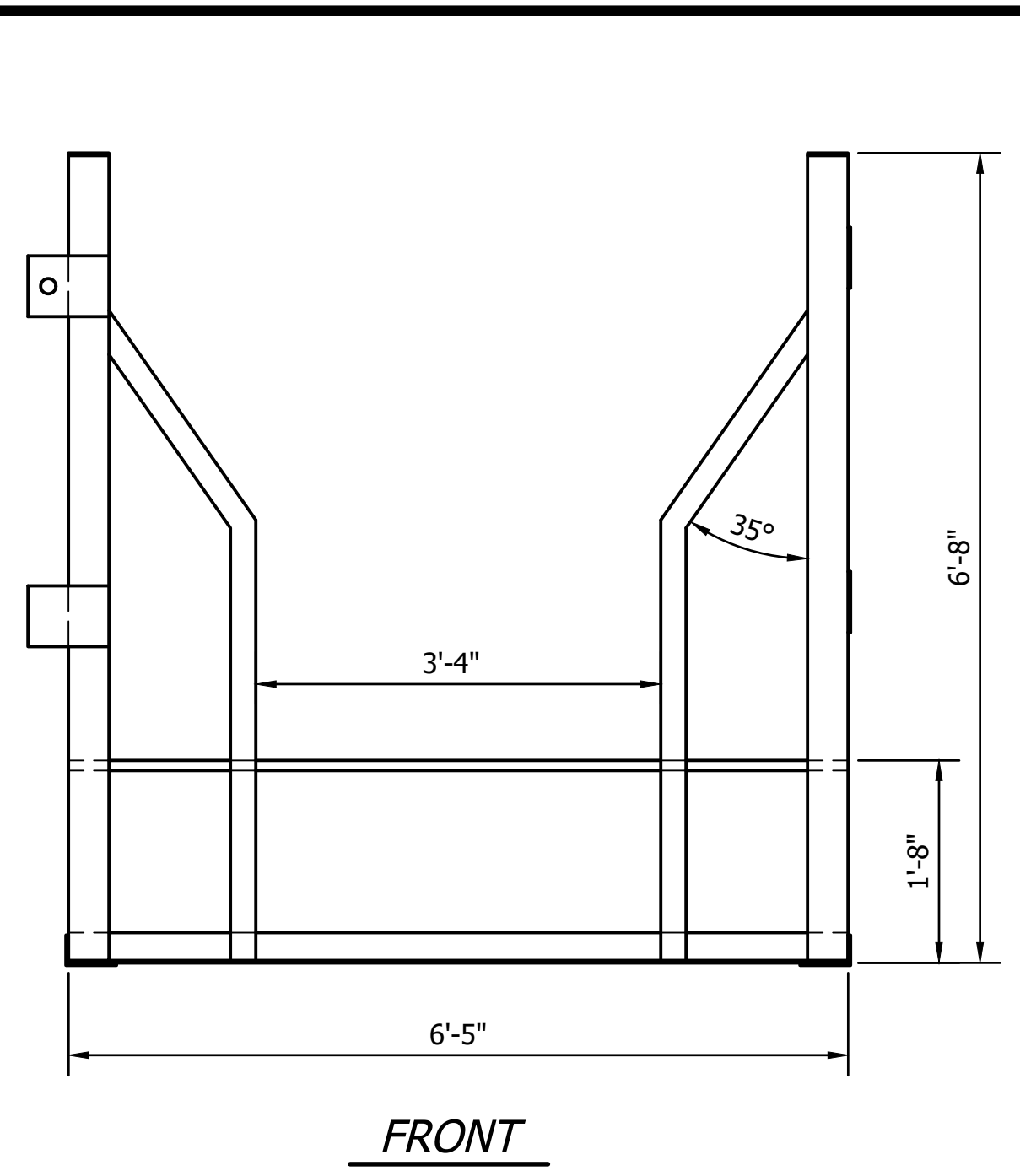
ALT A1
 V-FRAME GATE
 DETAILS

SCALE
AS SHOWN

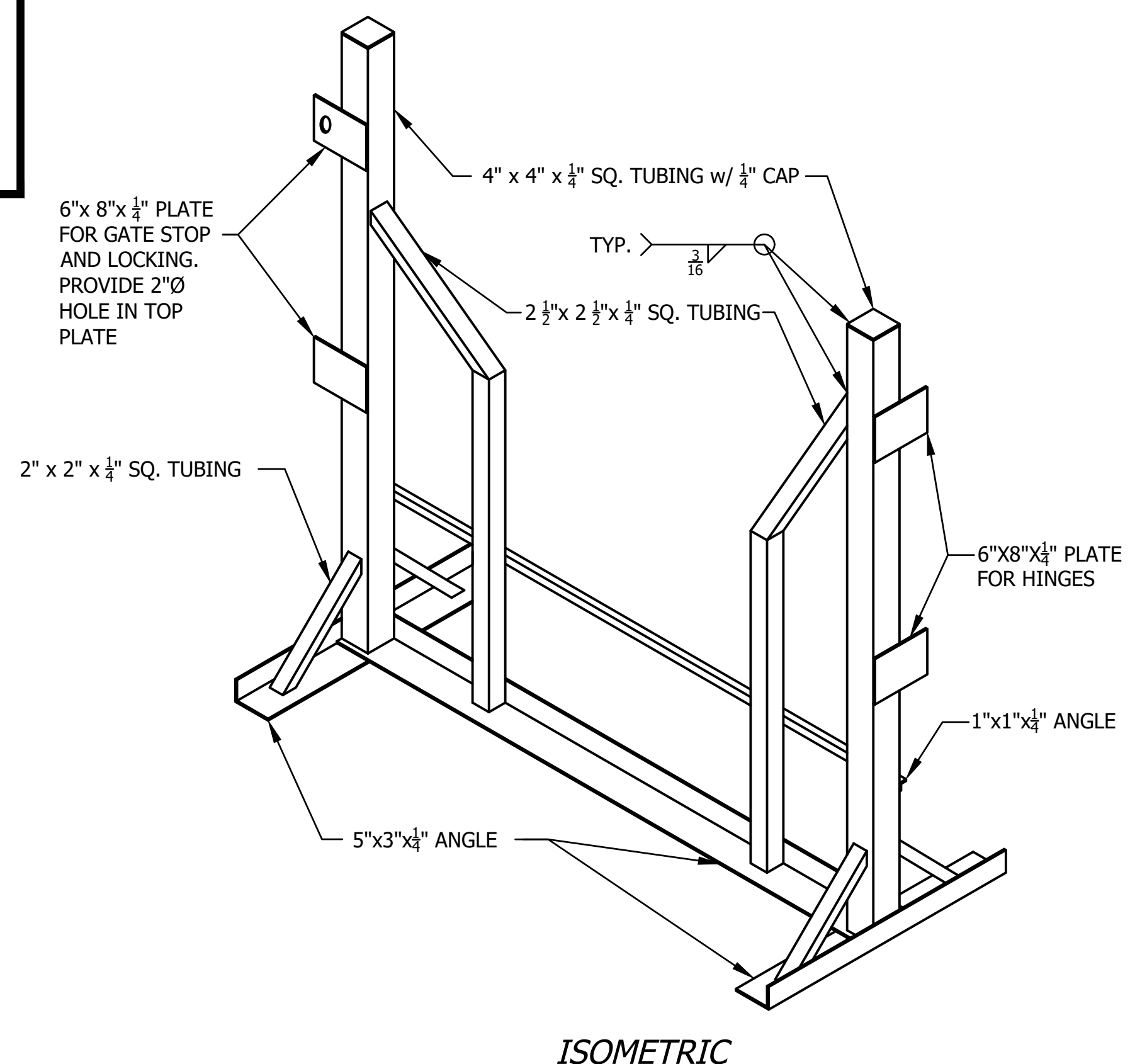
PARKS FILE#



- NOTES:**
- ALL WELDS SHALL BE 1/4" FILLETS UNLESS NOTED OTHERWISE. WELD CONTINUOUS ALL AROUND PARTS BEING JOINED.
 - POWDER COAT PER SPECIFICATIONS

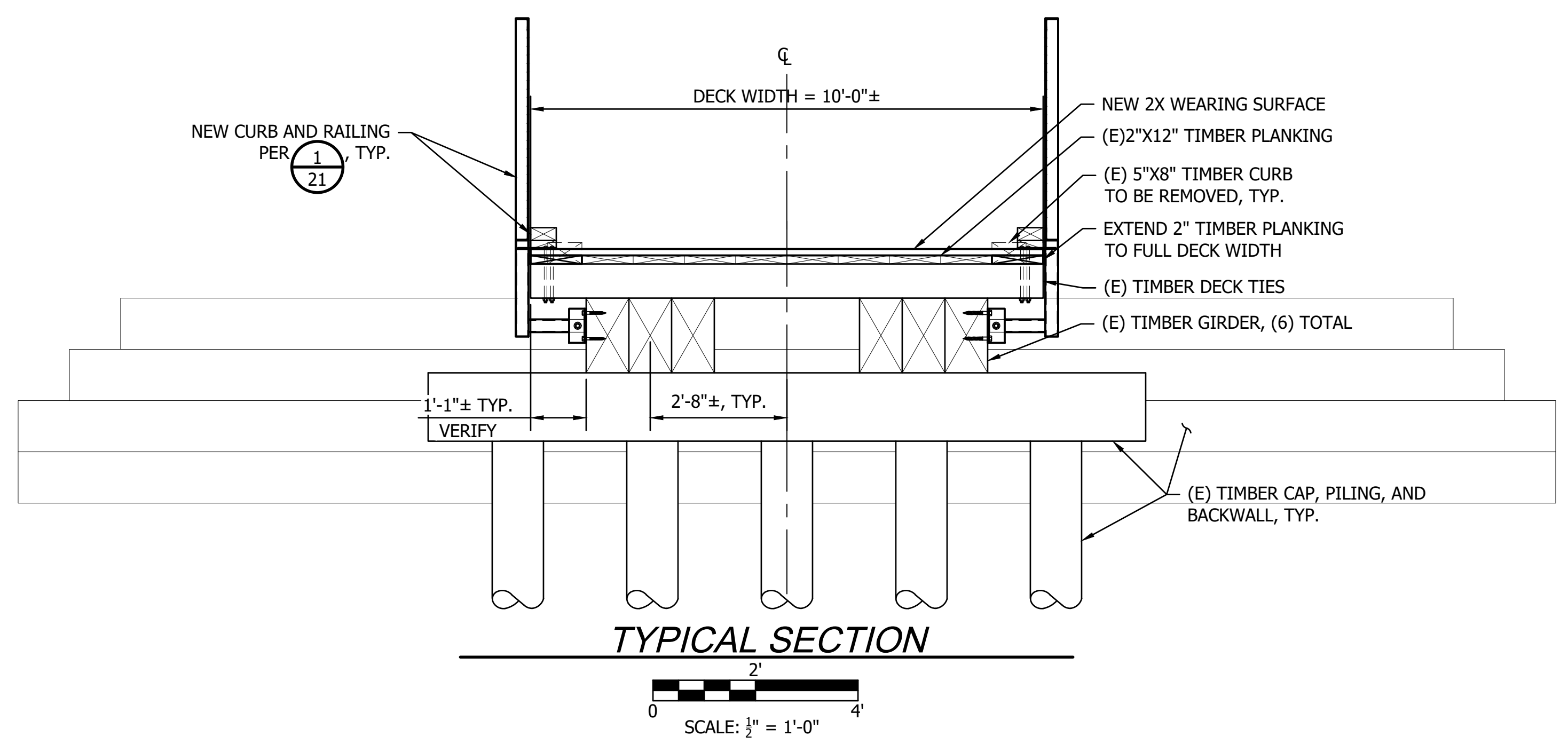
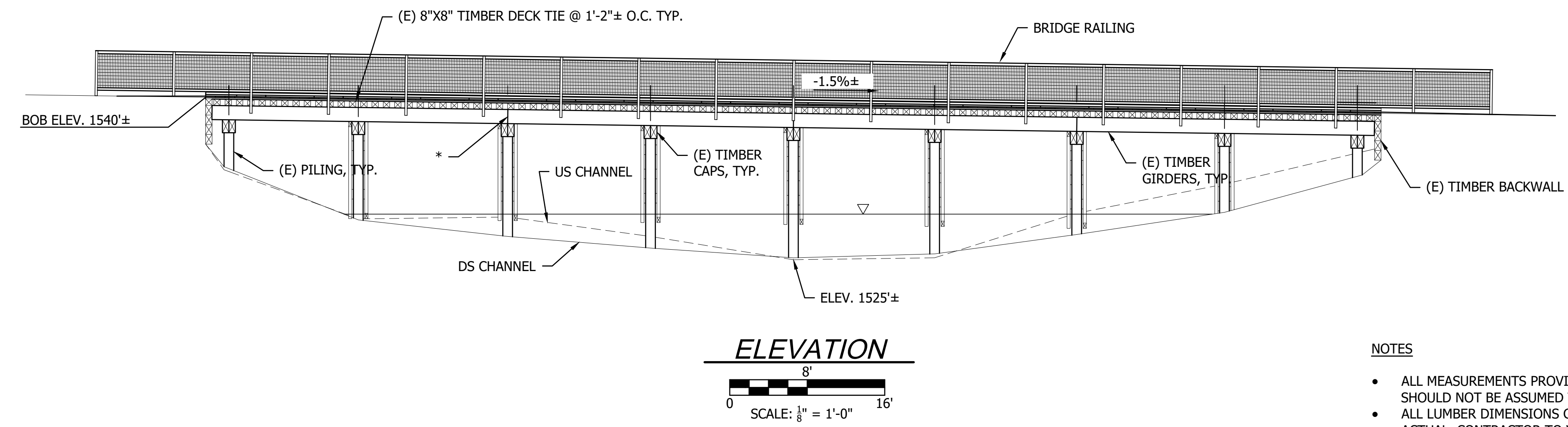
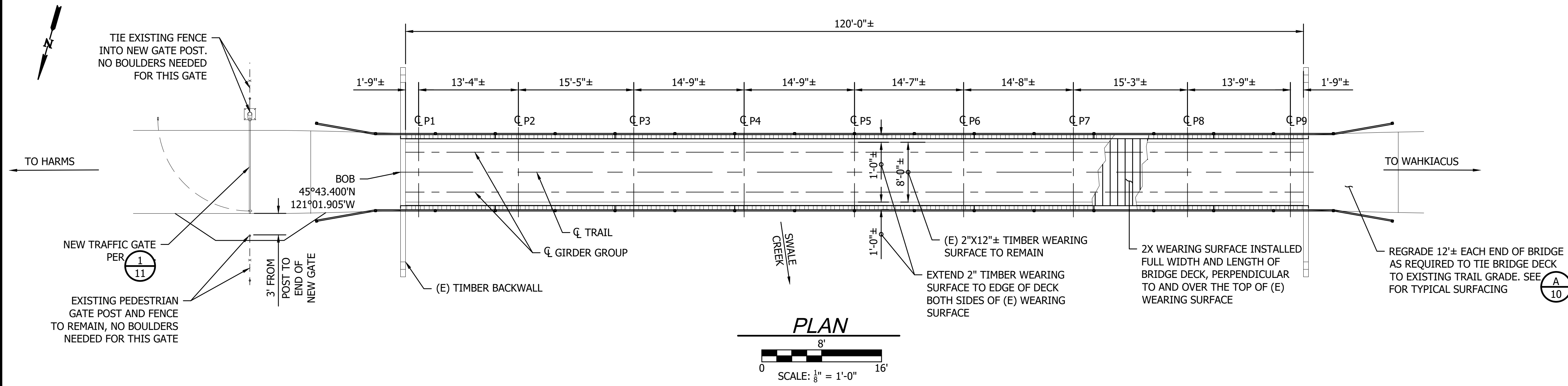


BYPASS FRAME DETAIL



Plotted: Mar 19, 2024 - 9:13 ErikM B:\22Files\A22158.00 WA Parks - Klickitat Trail\Drawings\03 Repair Details_rebid.dwg Layout Name: 12 V-Frame Gate Details

Plotted: Mar 19, 2024 - 9:13 ErikM B:\22Files\A22158.00 WA Parks - Klickitat Trail\Drawings\04 Trestle Redecking Plans_rebid.dwg Layout Name: 13 Trestle Redecking Plans - Trestle 1



- NOTES**
- ALL MEASUREMENTS PROVIDED HEREIN ARE APPROXIMATE AND SHOULD NOT BE ASSUMED TO REPLACE A PROFESSIONAL SURVEY.
 - ALL LUMBER DIMENSIONS GIVEN ARE NOMINAL UNLESS NOTED AS ACTUAL. CONTRACTOR TO VERIFY DIMENSIONS AS REQUIRED TO COMPLETE CONSTRUCTION.
 - SEE DETAIL 1 ON SHEET 22 FOR DECKING FASTENING REQUIREMENTS.

- LEGEND**
- * INDIVIDUAL GIRDER MEMBER LENGTHS VARY BETWEEN SINGLE AND 2-SPAN CONTINUOUS. THE MEMBER ENDS ARE STAGGERED AT ALL INTERIOR PIERS.

CAD NO.	
	DATE
	APP.
	INT.
	REVISIONS
	NO.

ACTION	BY	DATE
DESIGNED	ECM	03/19/2024
DRAWN	QGC	03/19/2024
CHECKED	ECM	03/19/2024
CHECKED (HDQTS.)		

03/19/2024
SARGENT
 SARGENT ENGINEERS, INC.
 320 Ronlee Lane NW • Olympia, WA 98502
 Tel. 360 867-9284 • Fax 360 867-9318
 SEI Pr. No. - A22158.00
 PROJECT ENGINEER

WASHINGTON
 STATE
 PARKS
 AND
 RECREATION
 COMMISSION

**KLICKITAT STATE
 PARK TRAIL**

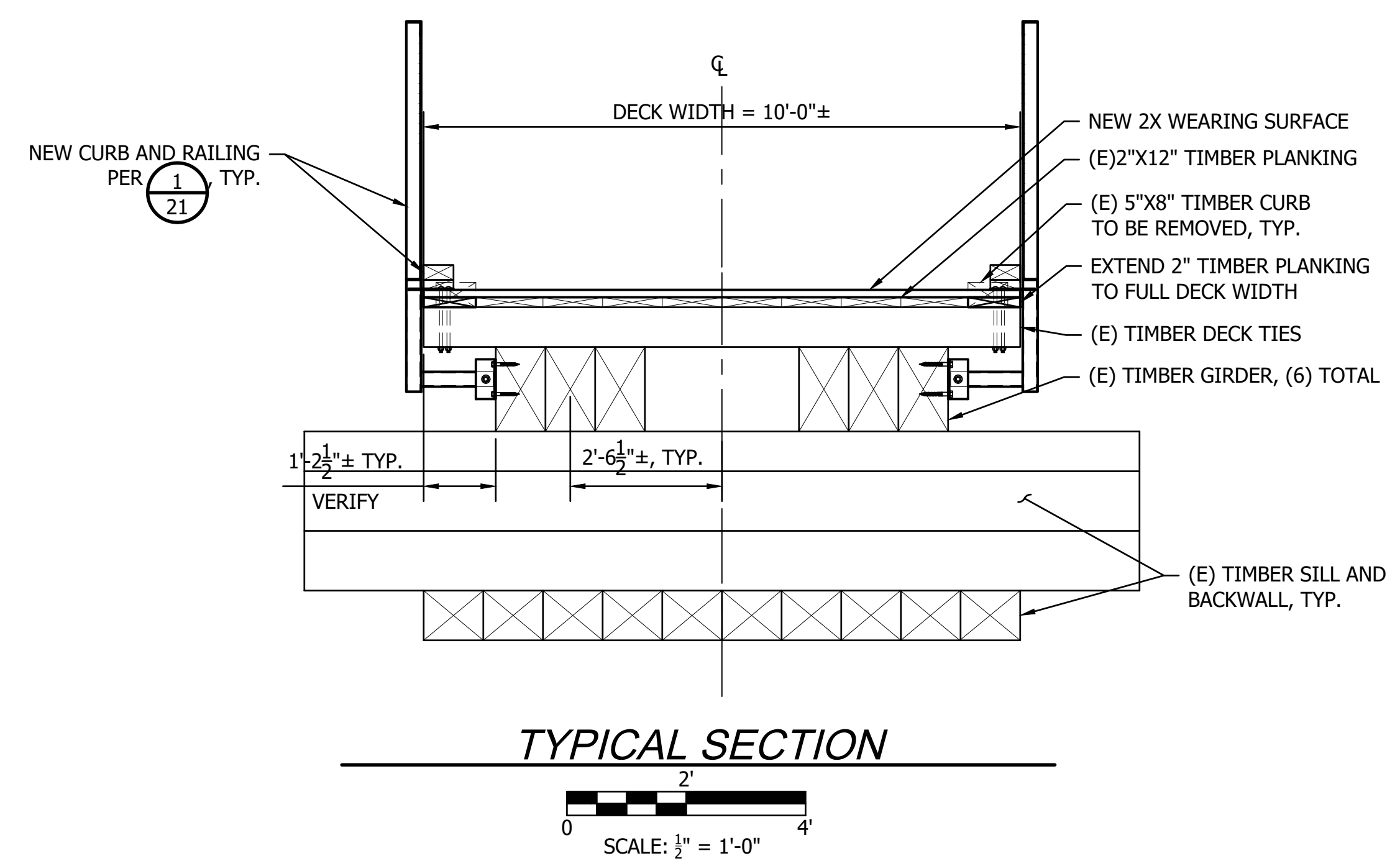
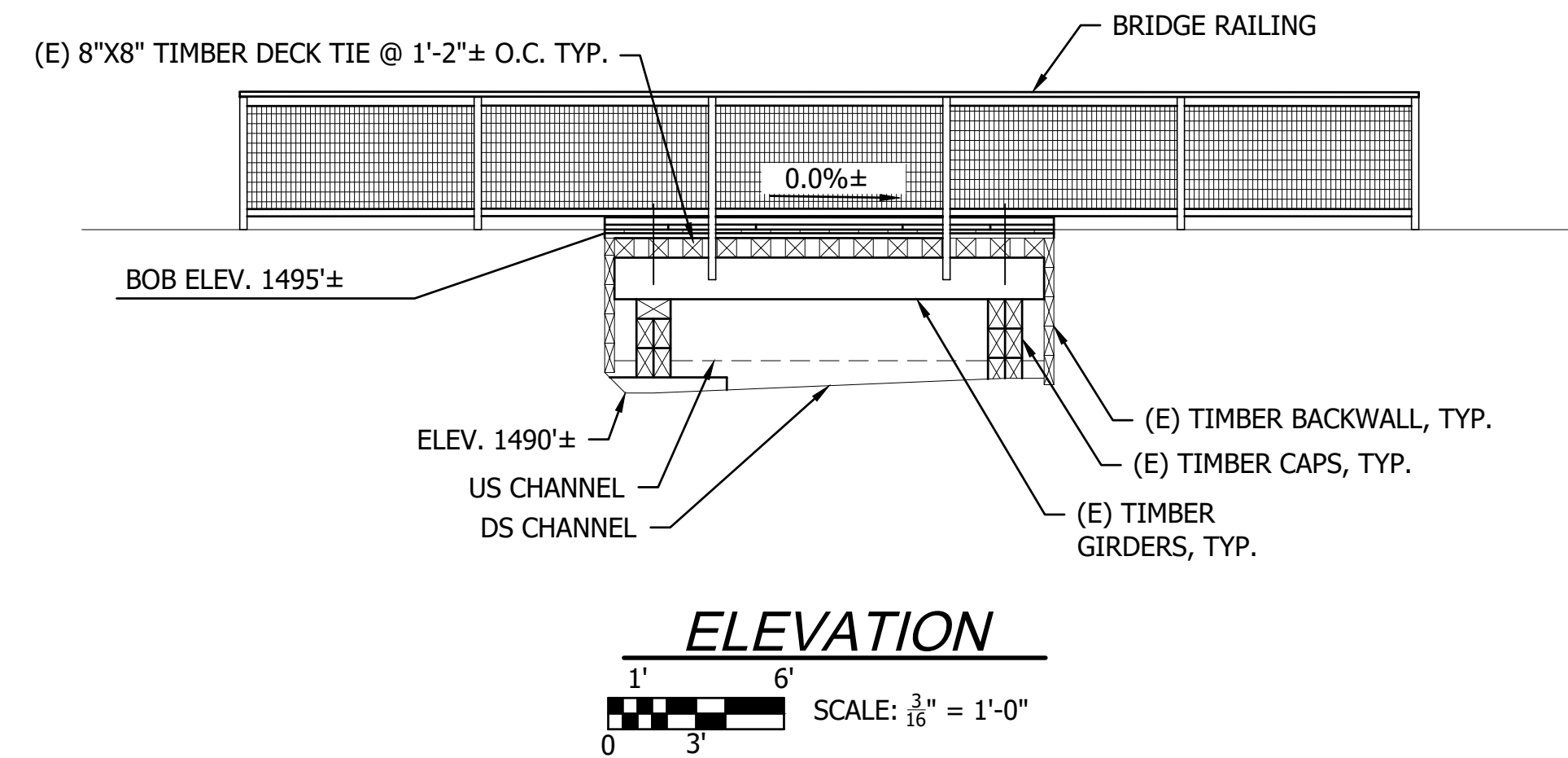
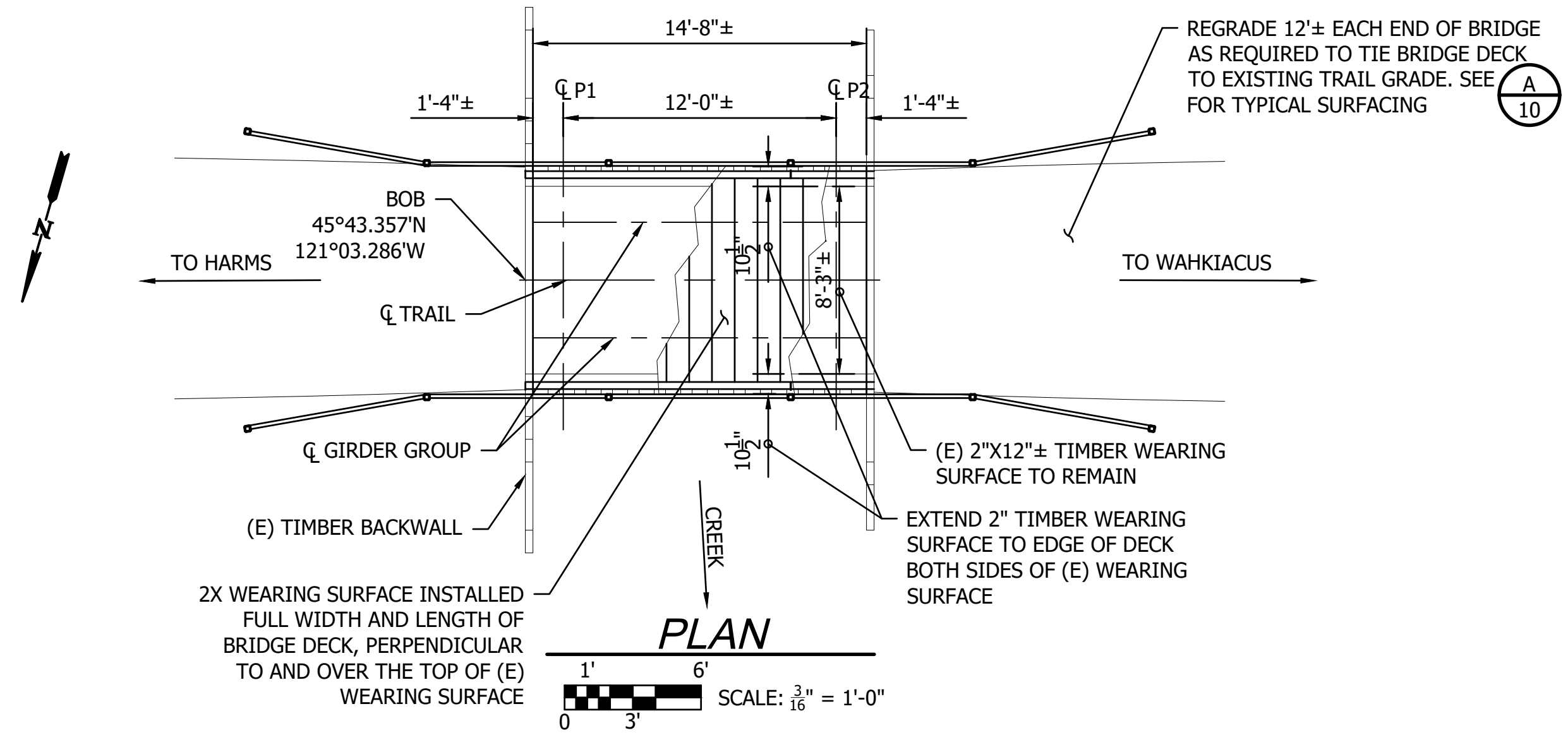
**SWALE CANYON
 TRAIL
 IMPROVEMENTS
 REBID**

TRESTLE 1 - MP 0.0
 PLAN, ELEVATION,
 & SECTION

SCALE
AS SHOWN

PARKS FILE#

Plotted: Mar 19, 2024 - 9:13 ErikM B:\22Files\A22158.00 WA Parks - Klickitat Trail\Drawings\04 Trestle Redecking Plans_rebid.dwg Layout Name: 14 Trestle Redecking Plans - Trestle 2



NOTES

- ALL MEASUREMENTS PROVIDED HEREIN ARE APPROXIMATE AND SHOULD NOT BE ASSUMED TO REPLACE A PROFESSIONAL SURVEY.
- ALL LUMBER DIMENSIONS GIVEN ARE NOMINAL UNLESS NOTED AS ACTUAL. CONTRACTOR TO VERIFY DIMENSIONS AS REQUIRED TO COMPLETE CONSTRUCTION.
- SEE DETAIL 1 ON SHEET 22 FOR DECKING FASTENING REQUIREMENTS.

CAD NO.

	DATE
	APP.
	INT.
	REVISIONS
	NO.

ACTION	BY	DATE
DESIGNED	ECM	03/19/2024
DRAWN	OGC	03/19/2024
CHECKED	ECM	03/19/2024
CHECKED (HDQTS.)		

03/19/2024

SARGENT
SARGENT ENGINEERS, INC.
320 Ronlee Lane NW • Olympia, WA 98502
Tel. 360 867-9284 • Fax 360 867-9318
SEI Pr. No. - A22158.00
PROJECT ENGINEER

WASHINGTON STATE PARKS AND RECREATION COMMISSION

KLICKITAT STATE PARK TRAIL

SWALE CANYON TRAIL IMPROVEMENTS

REBID

TRESTLE 2 - MP 1.3

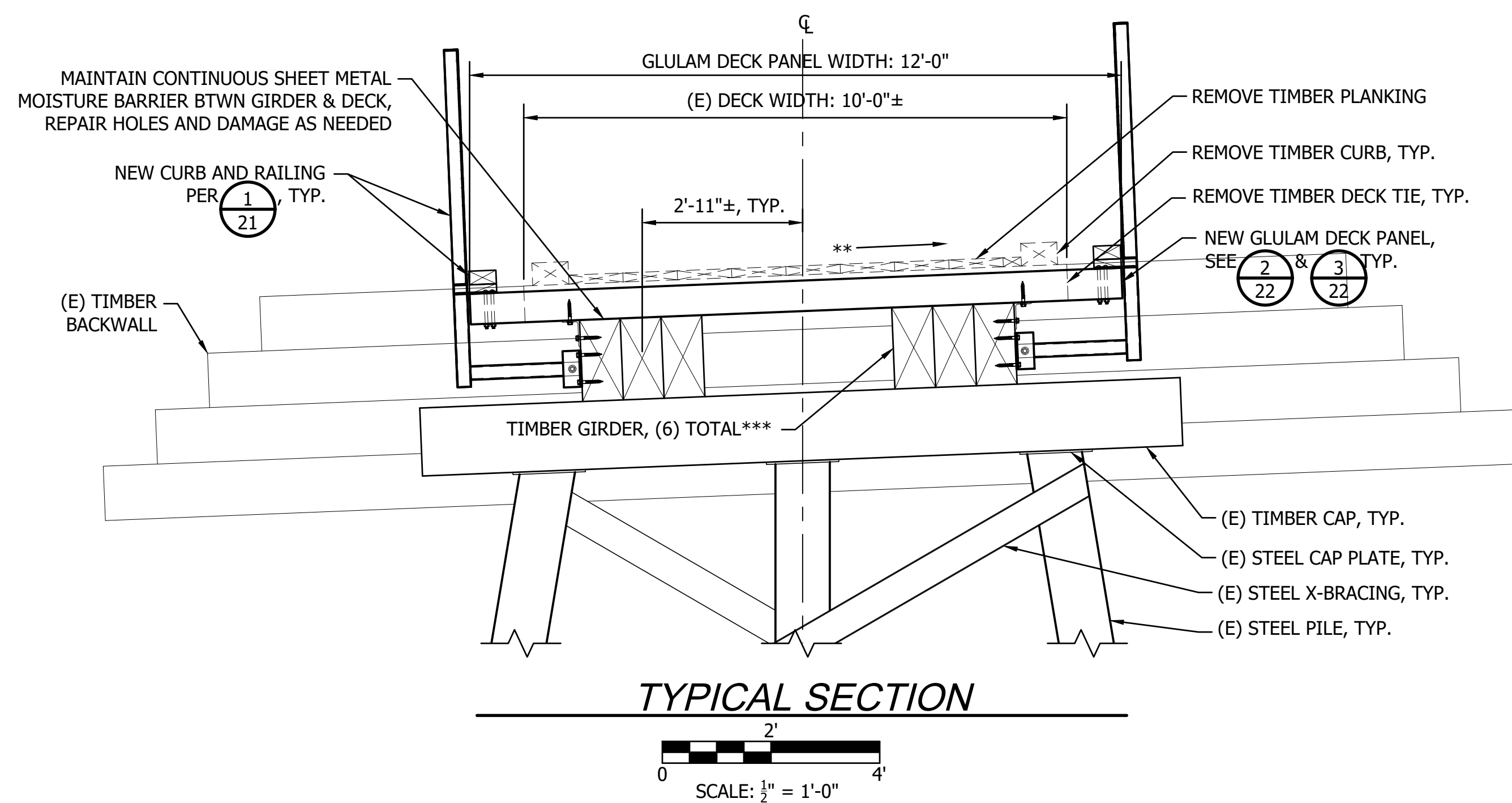
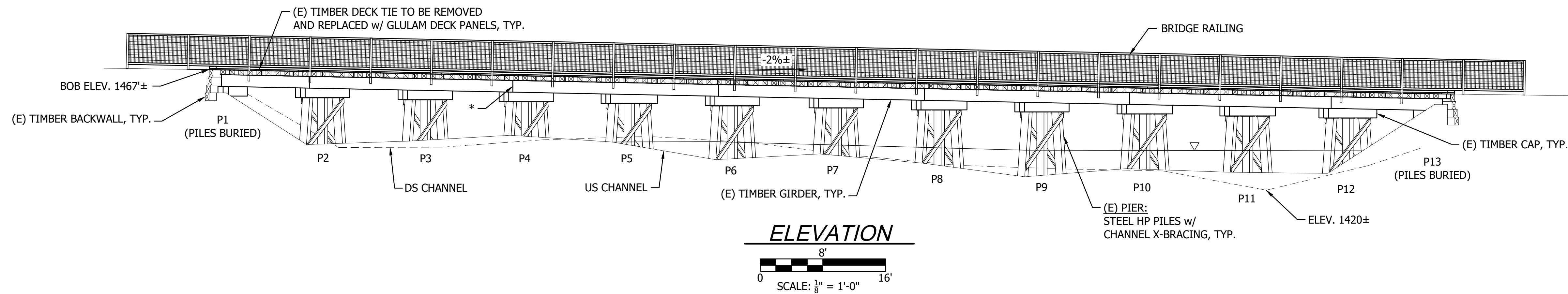
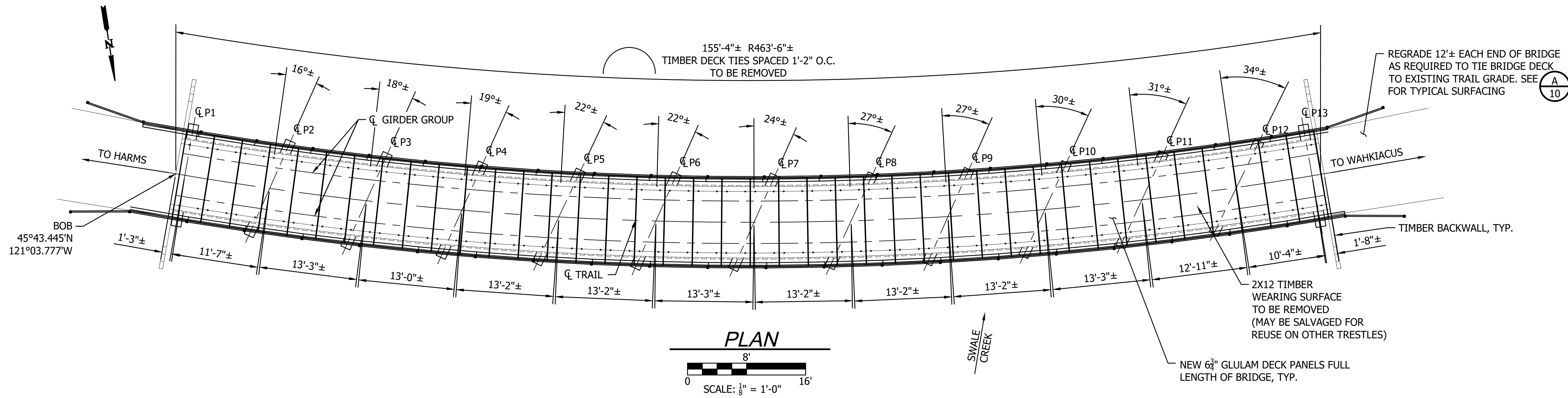
PLAN, ELEVATION, & SECTION

SCALE

AS SHOWN

PARKS FILE#

Plotted: Mar 19, 2024 - 9:13 ErikM B:\22Files\A22158.00 WA Parks - Klickitat Trail\Drawings\04 Trestle Redecking Plans_rebid.dwg Layout Name: 15 Trestle Redecking Plans - Trestle 3



NOTES

- ALL MEASUREMENTS PROVIDED HEREIN ARE APPROXIMATE AND SHOULD NOT BE ASSUMED TO REPLACE A PROFESSIONAL SURVEY.
- ALL LUMBER DIMENSIONS GIVEN ARE NOMINAL UNLESS NOTED AS ACTUAL. CONTRACTOR TO VERIFY DIMENSIONS AS REQUIRED TO COMPLETE CONSTRUCTION.

LEGEND

- * INDIVIDUAL GIRDER MEMBER LENGTHS VARY BETWEEN SINGLE AND 2-SPAN CONTINUOUS. THE MEMBER ENDS ARE STAGGERED AT ALL INTERIOR PIERS.
- ** SUPERELEVATION INCREASES FROM 3%± AT BOB TO 4%± AT EOB.
- *** TYPICAL GIRDER CONFIGURATION IS SHOWN IN THE SECTION BELOW. SOME SPANS MAY DIFFER FROM THAT SHOWN. CONTRACTOR TO VERIFY.

CAD NO.		
		DATE
		APP.
		INT.
REVISIONS		
		NO.
ACTION	BY	DATE
DESIGNED	ECM	03/19/2024
DRAWN	OGC	03/19/2024
CHECKED	ECM	03/19/2024
CHECKED (HDQTS.)		

03/19/2024

SARGENT
 SARGENT ENGINEERS, INC.
 320 Ronlee Lane NW • Olympia, WA 98502
 Tel. 360 867-9284 • Fax 360 867-9318
 SEI Pr. No. - A22158.00
 PROJECT ENGINEER

WASHINGTON
 STATE
 PARKS
 AND
 RECREATION
 COMMISSION

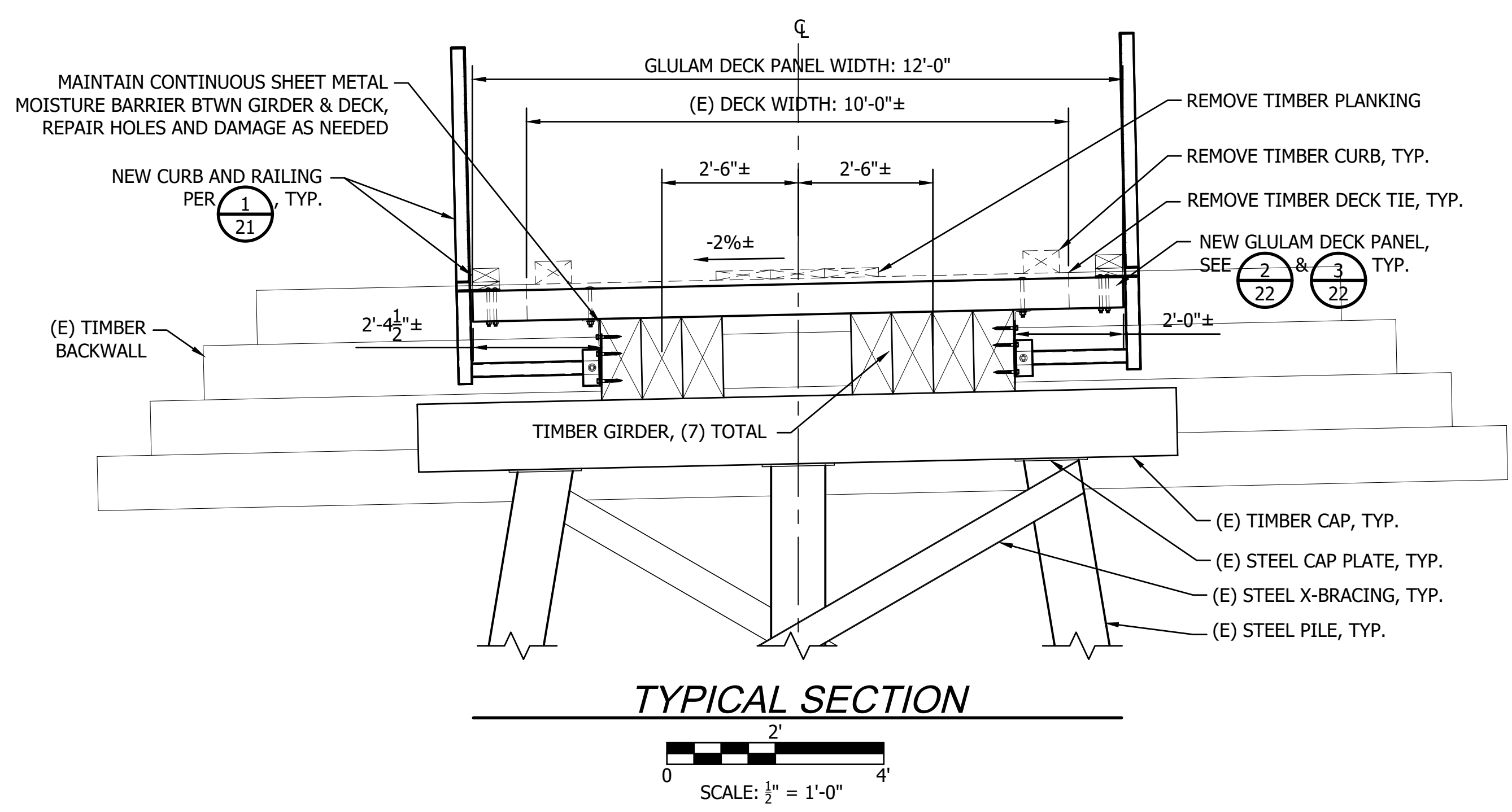
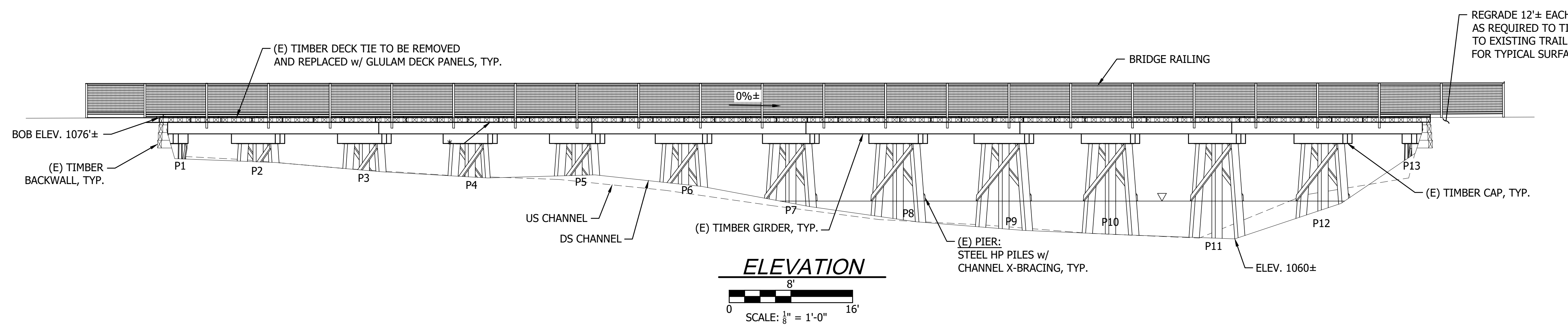
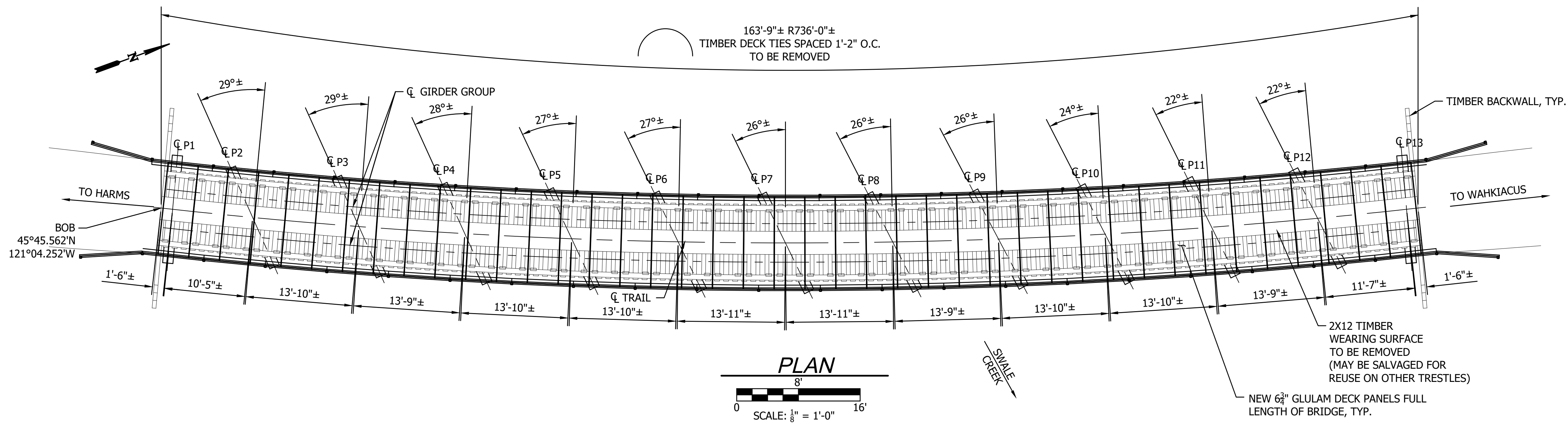
**KLICKITAT STATE
 PARK TRAIL**
**SWALE CANYON
 TRAIL
 IMPROVEMENTS
 REBID**

**TRESTLE 3 - MP 1.8
 PLAN, ELEVATION,
 & SECTION**

SCALE
AS SHOWN

PARKS FILE#

Plotted: Mar 19, 2024 - 9:13 ErikM B:\22Files\A22158.00 WA Parks - Klickitat Trail\Drawings\04 Trestle Redecking Plans_rebid.dwg Layout Name: 16 Trestle Redecking Plans - Trestle 4



NOTES

- ALL MEASUREMENTS PROVIDED HEREIN ARE APPROXIMATE AND SHOULD NOT BE ASSUMED TO REPLACE A PROFESSIONAL SURVEY.
- ALL LUMBER DIMENSIONS GIVEN ARE NOMINAL UNLESS NOTED AS ACTUAL. CONTRACTOR TO VERIFY DIMENSIONS AS REQUIRED TO COMPLETE CONSTRUCTION.

LEGEND

- * INDIVIDUAL GIRDER MEMBER LENGTHS VARY BETWEEN SINGLE AND 2-SPAN CONTINUOUS. THE MEMBER ENDS ARE STAGGERED AT ALL INTERIOR PIERS.
- ** TYPICAL GIRDER CONFIGURATION IS SHOWN IN THE SECTION BELOW. SOME SPANS MAY DIFFER FROM THAT SHOWN. CONTRACTOR TO VERIFY.

CAD NO.		DATE
		APP.
		INT.
		REVISIONS
		NO.
ACTION	BY	DATE
DESIGNED	ECM	03/19/2024
DRAWN	OGC	03/19/2024
CHECKED	ECM	03/19/2024
CHECKED (HDQTS.)		

03/19/2024

SARGENT
 SARGENT ENGINEERS, INC.
 320 Ronlee Lane NW • Olympia, WA 98502
 Tel. 360 867-9284 • Fax 360 867-9318
 SEI Pr. No. - A22158.00
 PROJECT ENGINEER

WASHINGTON
 STATE
 PARKS
 AND
 RECREATION
 COMMISSION

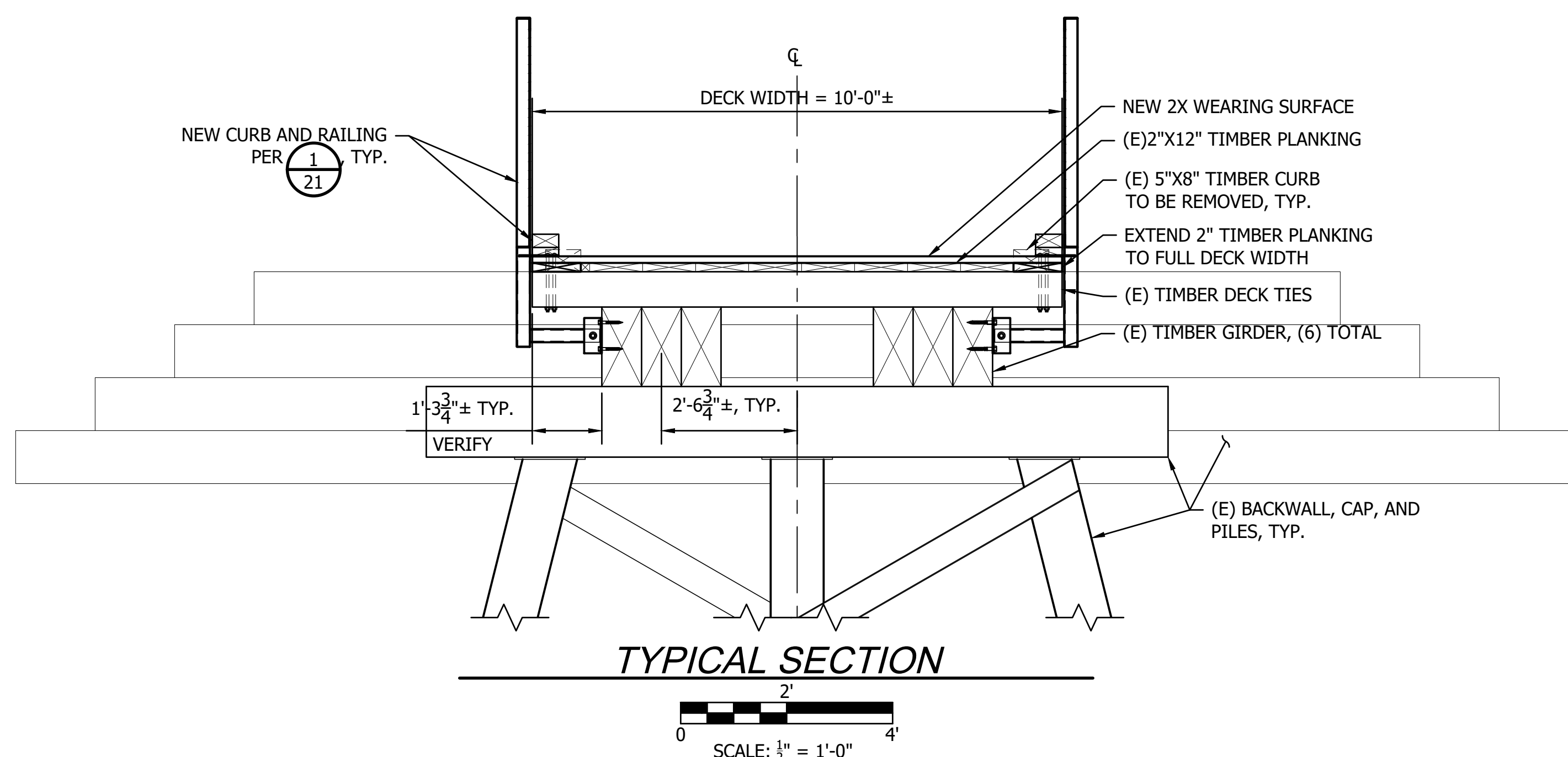
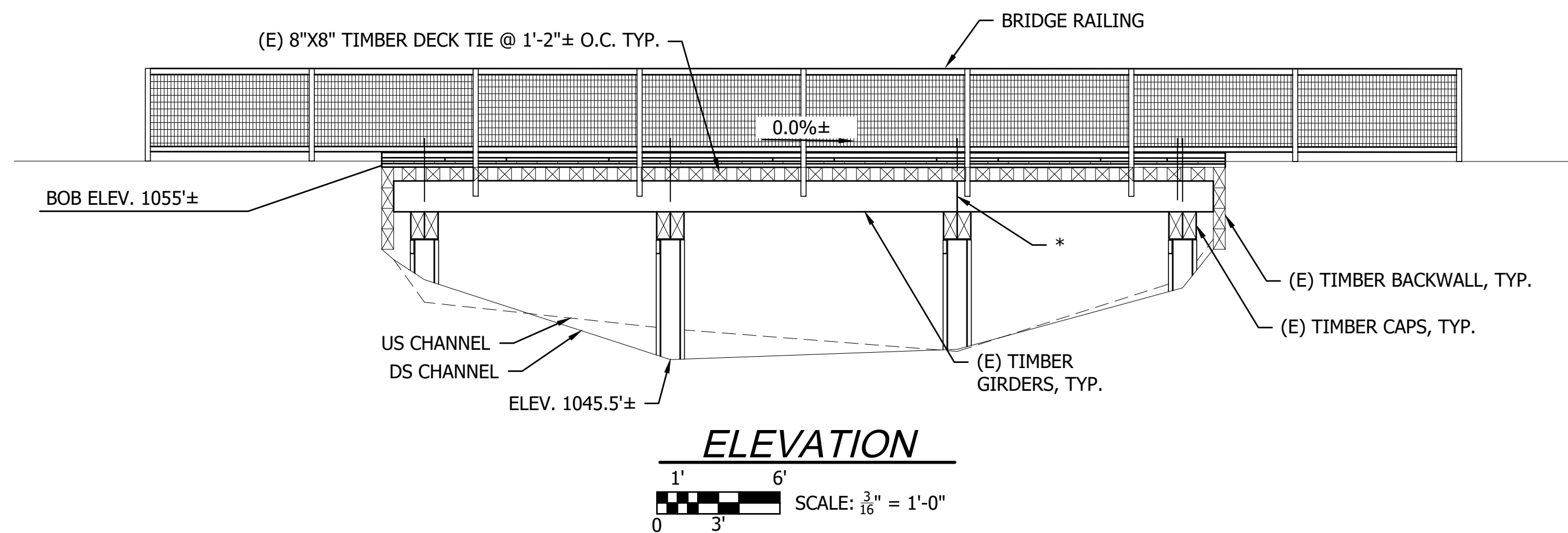
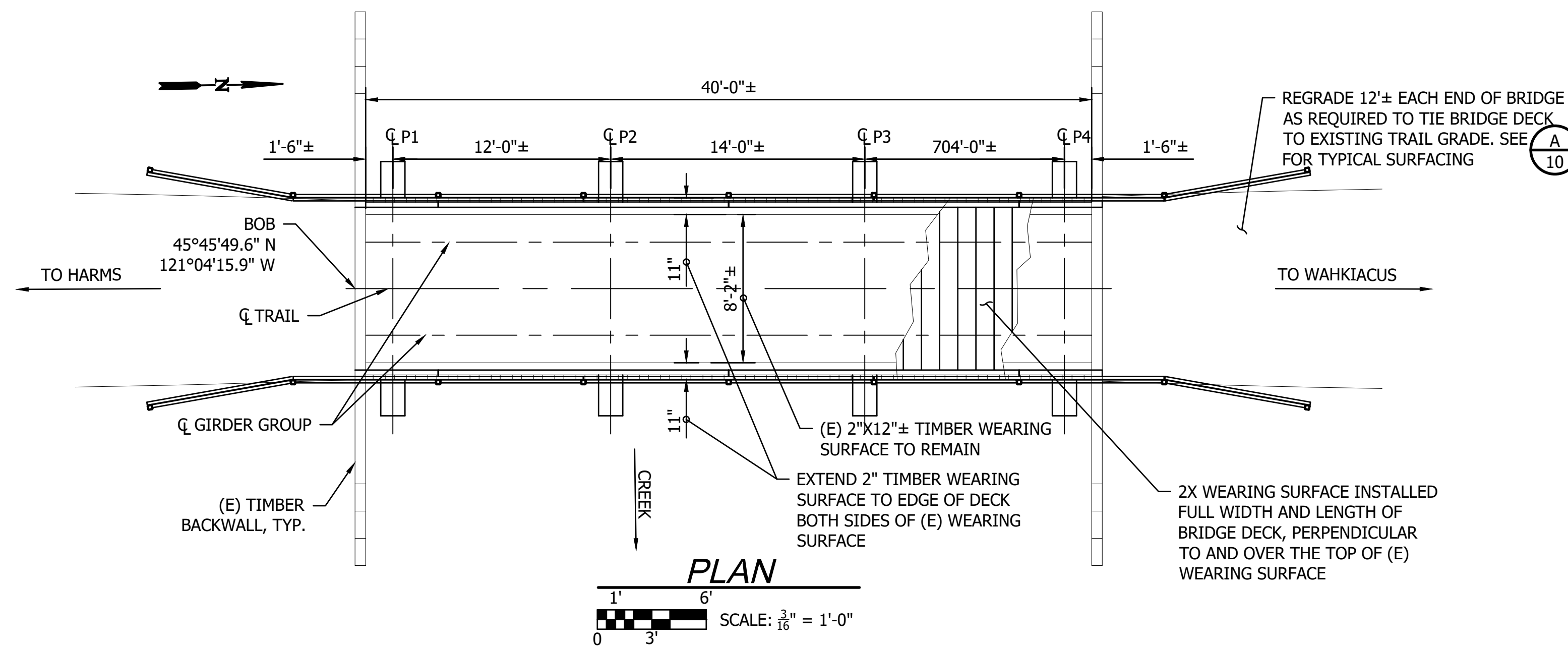
**Klickitat State
 Park Trail**
**Swale Canyon
 Trail
 Improvements
 Rebid**

**TRESTLE 4 - MP 5.7
 PLAN, ELEVATION,
 & SECTION**

SCALE
AS SHOWN

PARKS FILE#

Plotted: Mar 19, 2024 - 9:13 ErikM B:\22Files\A22158.00 WA Parks - Klickitat Trail\Drawings\04 Trestle Redecking Plans_rebid.dwg Layout Name: 17 Trestle Redecking Plans - Trestle 5



NOTES

- ALL MEASUREMENTS PROVIDED HEREIN ARE APPROXIMATE AND SHOULD NOT BE ASSUMED TO REPLACE A PROFESSIONAL SURVEY.
- ALL LUMBER DIMENSIONS GIVEN ARE NOMINAL UNLESS NOTED AS ACTUAL. CONTRACTOR TO VERIFY DIMENSIONS AS REQUIRED TO COMPLETE CONSTRUCTION.
- SEE DETAIL 1 ON SHEET 22 FOR DECKING FASTENING REQUIREMENTS.

LEGEND

- * INDIVIDUAL GIRDER MEMBER LENGTHS VARY BETWEEN SINGLE AND 2-SPAN CONTINUOUS. THE MEMBER ENDS ARE STAGGERED AT ALL INTERIOR PIERS.

CAD NO.		
	DATE	
	APP.	
	INT.	
	REVISIONS	
	NO.	
ACTION	BY	DATE
DESIGNED	ECM	03/19/2024
DRAWN	OGC	03/19/2024
CHECKED	ECM	03/19/2024
CHECKED (HDQTS.)		

SARGENT
SARGENT ENGINEERS, INC.
320 Ronlee Lane NW • Olympia, WA 98502
Tel. 360 867-9284 • Fax 360 867-9318
SEI Pr. No. - A22158.00
PROJECT ENGINEER

WASHINGTON
STATE
PARKS
AND
RECREATION
COMMISSION

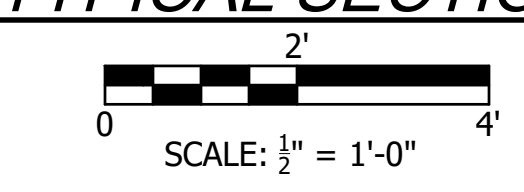
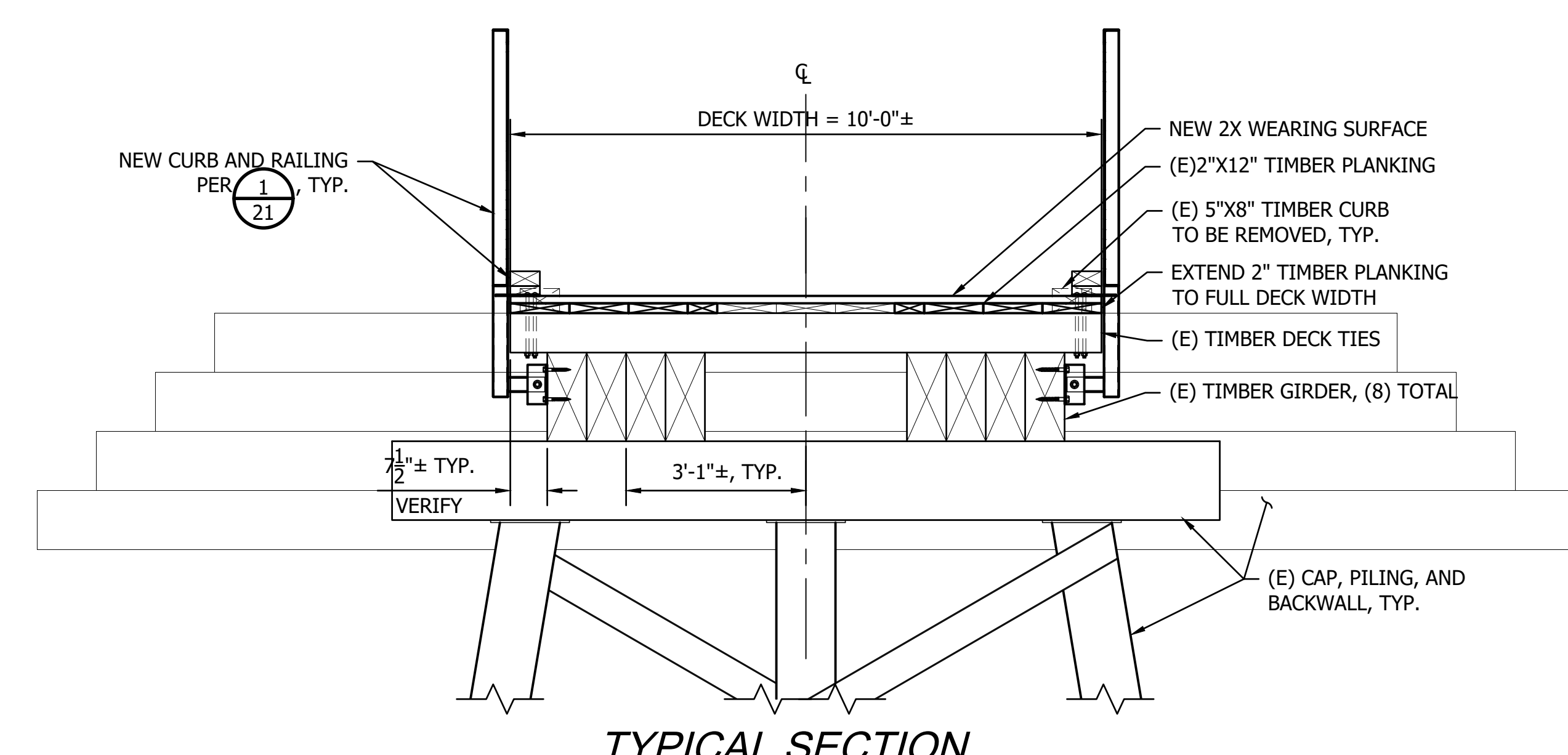
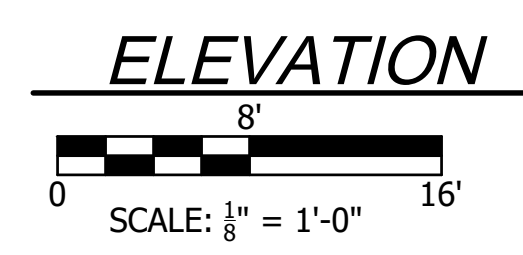
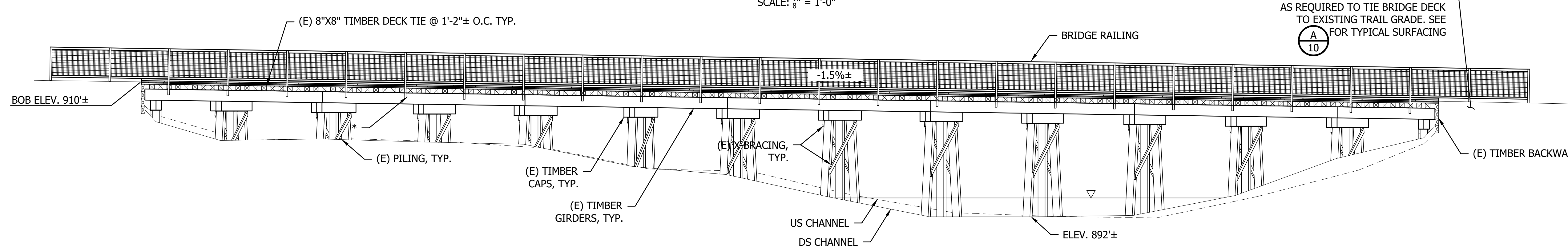
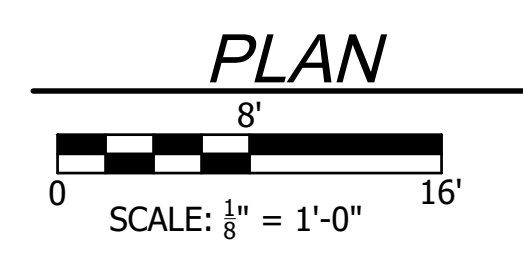
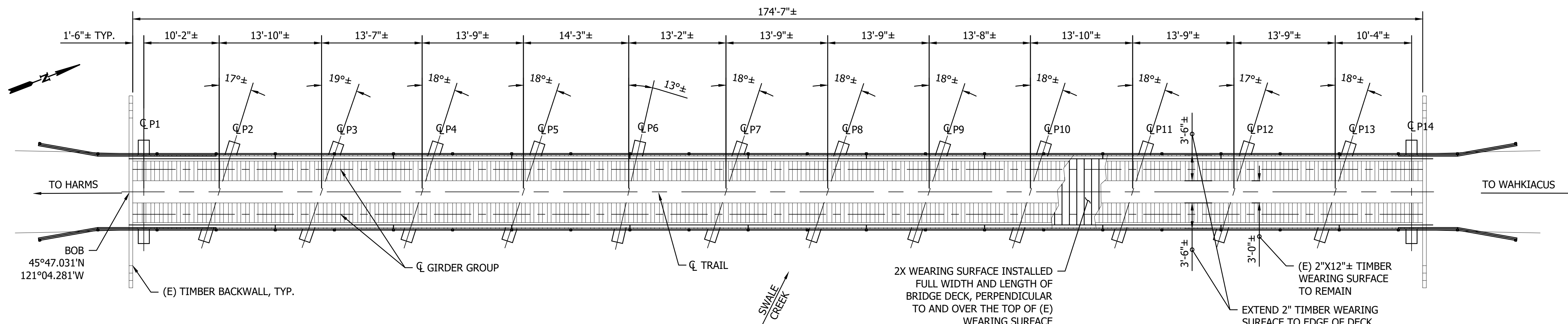
KLICKITAT STATE
PARK TRAIL
SWALE CANYON
TRAIL
IMPROVEMENTS
REBID

TRESTLE 5 - MP 6.0
PLAN, ELEVATION,
& SECTION

SCALE
AS SHOWN

PARKS FILE#

Plotted: Mar 19, 2024 - 9:13 ErikM B:\22Files\A22158.00 WA Parks - Klickitat Trail\Drawings\04 Trestle Redecking Plans_rebid.dwg Layout Name: 18 Trestle Redecking Plans - Trestle 6



- NOTES**
- ALL MEASUREMENTS PROVIDED HEREIN ARE APPROXIMATE AND SHOULD NOT BE ASSUMED TO REPLACE A PROFESSIONAL SURVEY.
 - ALL LUMBER DIMENSIONS GIVEN ARE NOMINAL UNLESS NOTED AS ACTUAL. CONTRACTOR TO VERIFY DIMENSIONS AS REQUIRED TO COMPLETE CONSTRUCTION.
 - SEE DETAIL 1 ON SHEET 22 FOR DECKING FASTENING REQUIREMENTS.

- LEGEND**
- * INDIVIDUAL GIRDER MEMBER LENGTHS VARY BETWEEN SINGLE AND 2-SPAN CONTINUOUS. THE MEMBER ENDS ARE STAGGERED AT ALL INTERIOR PIERS.
 - ** TYPICAL GIRDER CONFIGURATION IS SHOWN IN THE SECTION BELOW. SOME SPANS MAY DIFFER FROM THAT SHOWN. CONTRACTOR TO VERIFY.

CAD NO.		DATE
		APP.
		INT.
		REVISIONS
		NO.
ACTION	BY	DATE
DESIGNED	ECM	03/19/2024
DRAWN	OGC	03/19/2024
CHECKED	ECM	03/19/2024
CHECKED (HDQTS.)		

03/19/2024
SARGENT
 SARGENT ENGINEERS, INC.
 320 Ronlee Lane NW • Olympia, WA 98502
 Tel. 360 867-9284 • Fax 360 867-9318
 SEI Pr. No. - A22158.00
 PROJECT ENGINEER

WASHINGTON
 STATE
 PARKS
 AND
 RECREATION
 COMMISSION

KLICKITAT STATE
PARK TRAIL

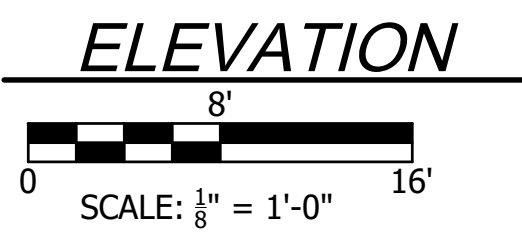
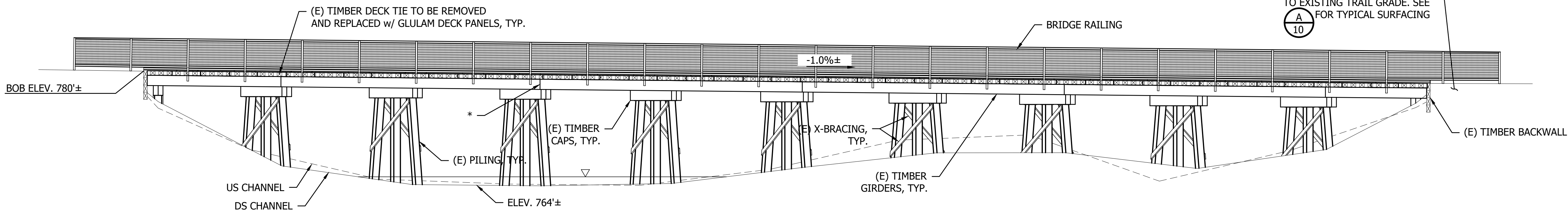
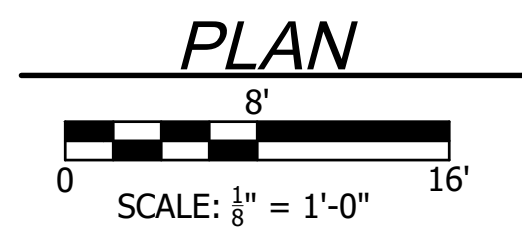
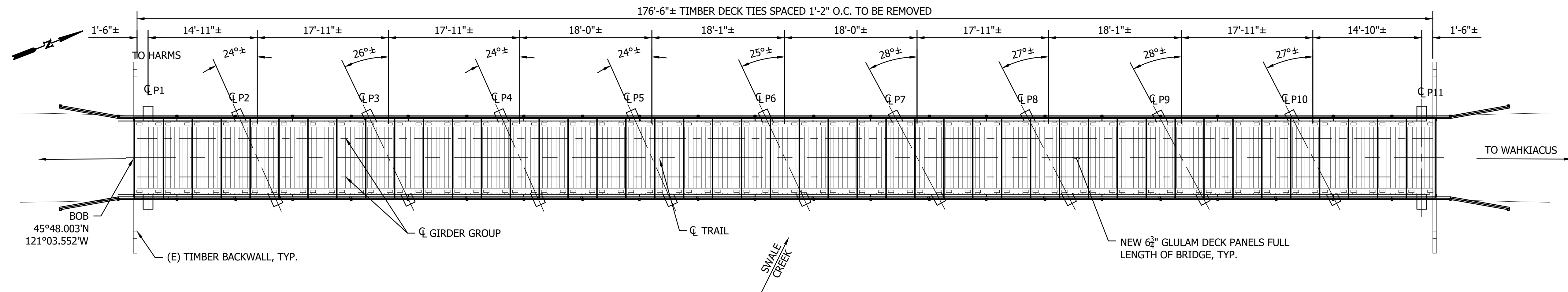
SWALE CANYON
TRAIL
IMPROVEMENTS
REBID

TRESTLE 6 - MP 7.5
 PLAN, ELEVATION,
 & SECTION

SCALE
 AS SHOWN

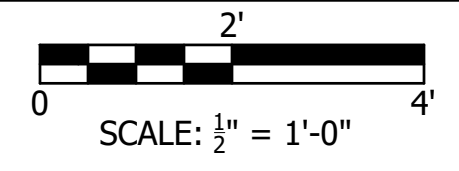
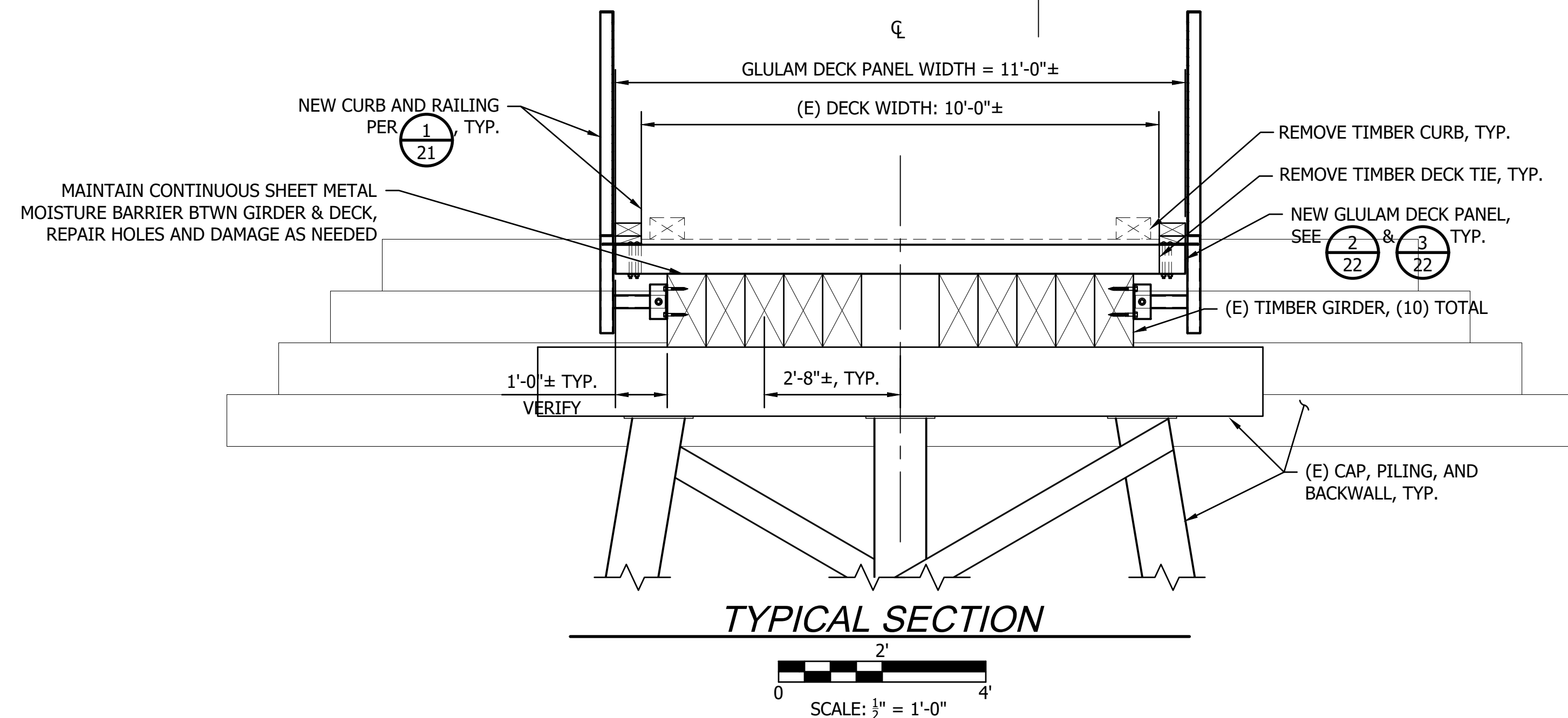
PARKS FILE#

Plotted: Mar 19, 2024 - 9:13 ErikM B:\22Files\A22158.00 WA Parks - Klickitat Trail\Drawings\04 Trestle Redecking Plans_rebid.dwg Layout Name: 19 Trestle Redecking Plans - Trestle 8



- NOTES**
- ALL MEASUREMENTS PROVIDED HEREIN ARE APPROXIMATE AND SHOULD NOT BE ASSUMED TO REPLACE A PROFESSIONAL SURVEY.
 - ALL LUMBER DIMENSIONS GIVEN ARE NOMINAL UNLESS NOTED AS ACTUAL. CONTRACTOR TO VERIFY DIMENSIONS AS REQUIRED TO COMPLETE CONSTRUCTION.

- LEGEND**
- * INDIVIDUAL GIRDER MEMBER LENGTHS VARY BETWEEN SINGLE AND 2-SPAN CONTINUOUS. THE MEMBER ENDS ARE STAGGERED AT ALL INTERIOR PIERS.
 - ** TYPICAL GIRDER CONFIGURATION IS SHOWN IN THE SECTION BELOW. SOME SPANS MAY DIFFER FROM THAT SHOWN. CONTRACTOR TO VERIFY.
 - *** NOTE THAT THE SUBSTRUCTURE IS PERPENDICULAR TO THE BRIDGE CENTERLINE AT THE ABUTMENTS ONLY. ALL SUBSTRUCTURE DIMENSIONS GIVEN IN THE SECTION VIEW BELOW ARE ALONG THE CENTERLINE OF THE PILE CAP.



CAD NO.		DATE
		APP.
		INT.
		REVISIONS
		NO.
ACTION	BY	DATE
DESIGNED	ECM	03/19/2024
DRAWN	OGC	03/19/2024
CHECKED	ECM	03/19/2024
CHECKED (HDQTS.)		

03/19/2024
SARGENT
 SARGENT ENGINEERS, INC.
 320 Ronlee Lane NW • Olympia, WA 98502
 Tel. 360 867-9284 • Fax 360 867-9318
 SEI Pr. No. - A22158.00
 PROJECT ENGINEER

WASHINGTON STATE PARKS AND RECREATION COMMISSION

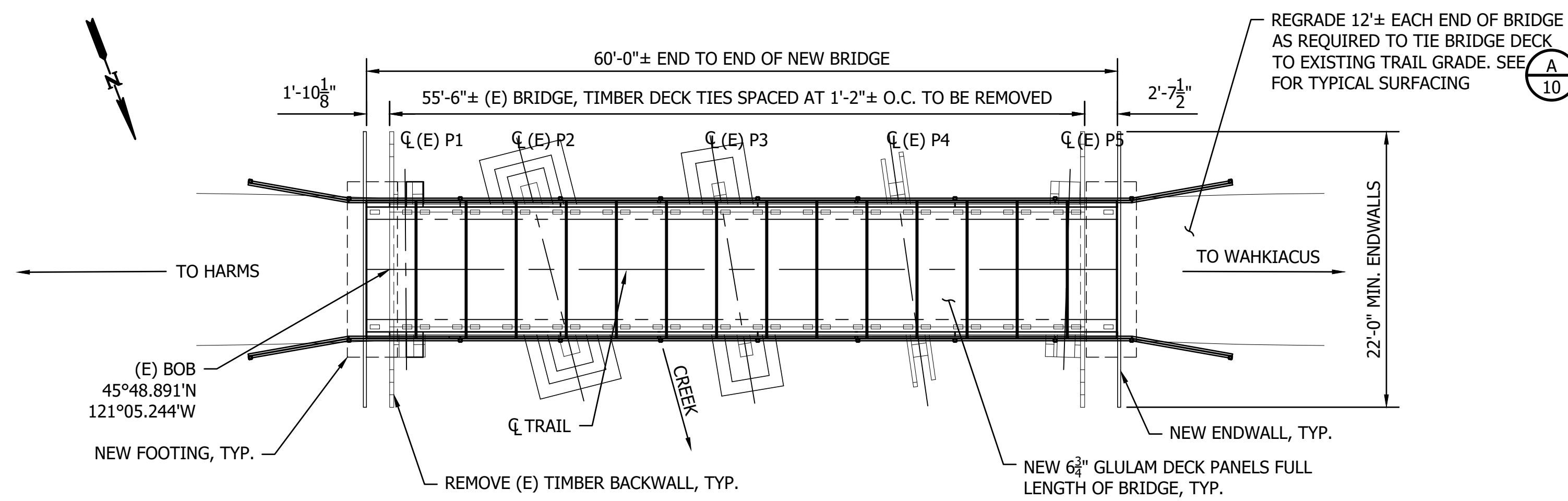
KLICKITAT STATE PARK TRAIL

SWALE CANYON TRAIL IMPROVEMENTS REBID

TRESTLE 8 - MP 8.9 PLAN, ELEVATION, & SECTION

SCALE	AS SHOWN
PARKS FILE#	

Plotted: Mar 19, 2024 - 9:13 ErikM B:\22Files\A22158.00 WA Parks - Klickitat Trail\Drawings\04 Trestle Redecking Plans_rebid.dwg Layout Name: 20 Trestle Redecking Plans - Trestle 9

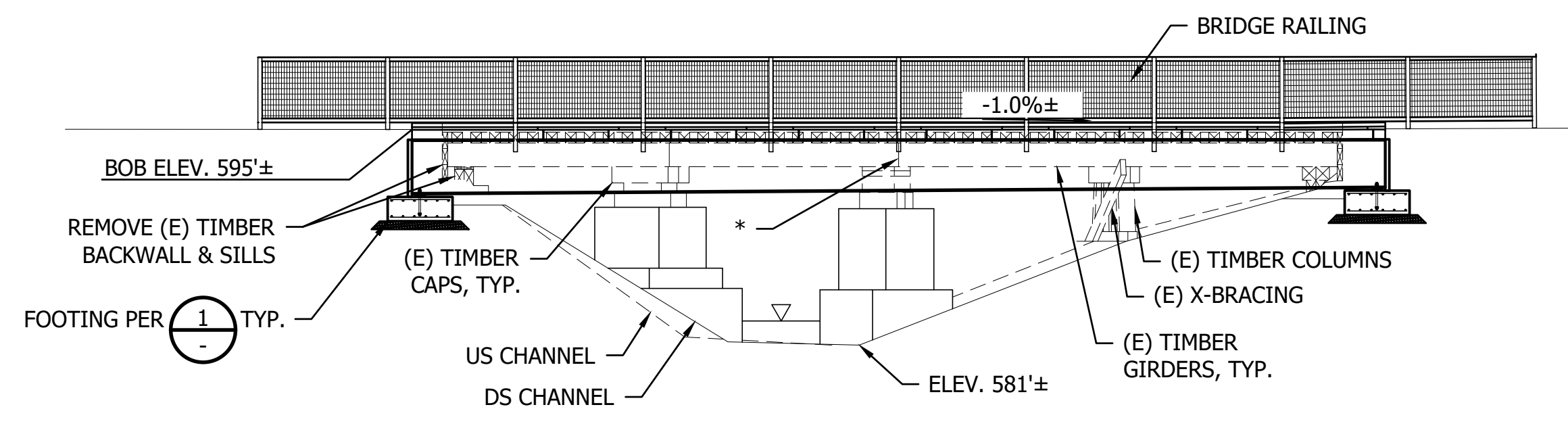


PLAN

8'

0 8' 16'

SCALE: 1/8" = 1'-0"

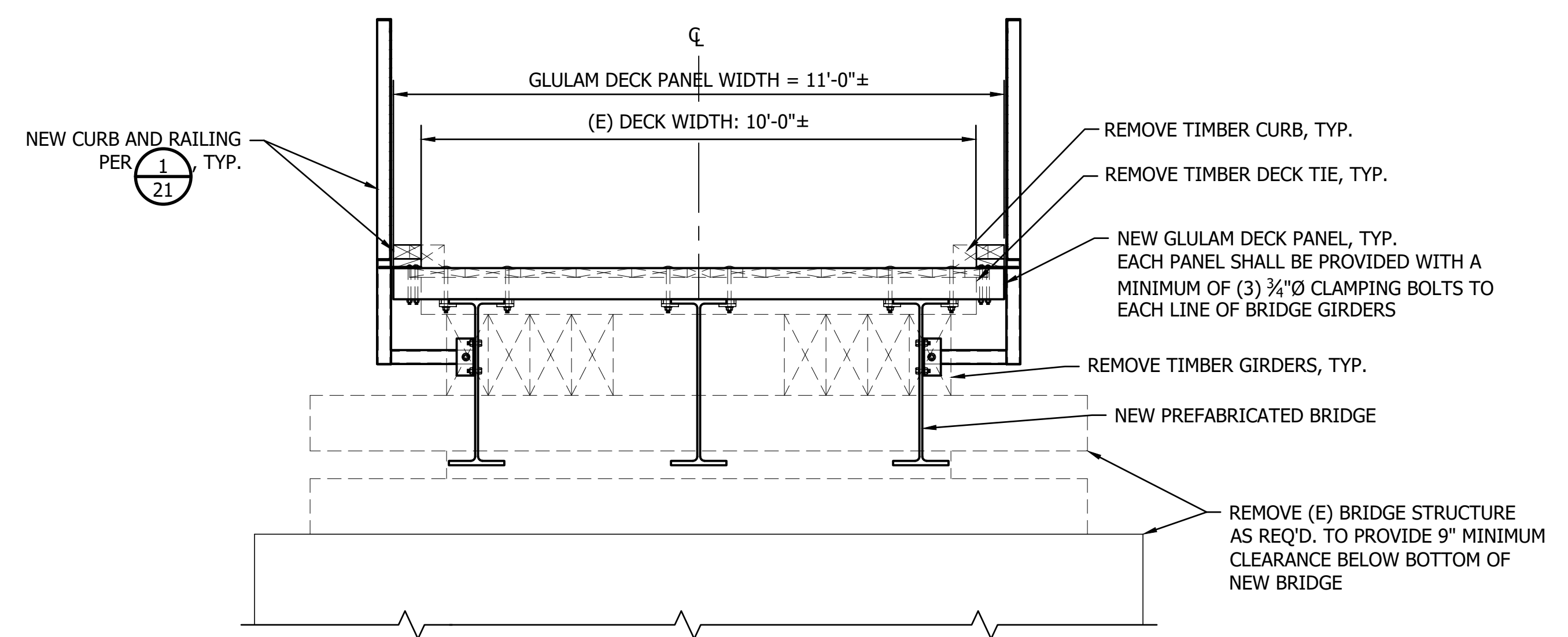


ELEVATION

8'

0 8' 16'

SCALE: 1/8" = 1'-0"

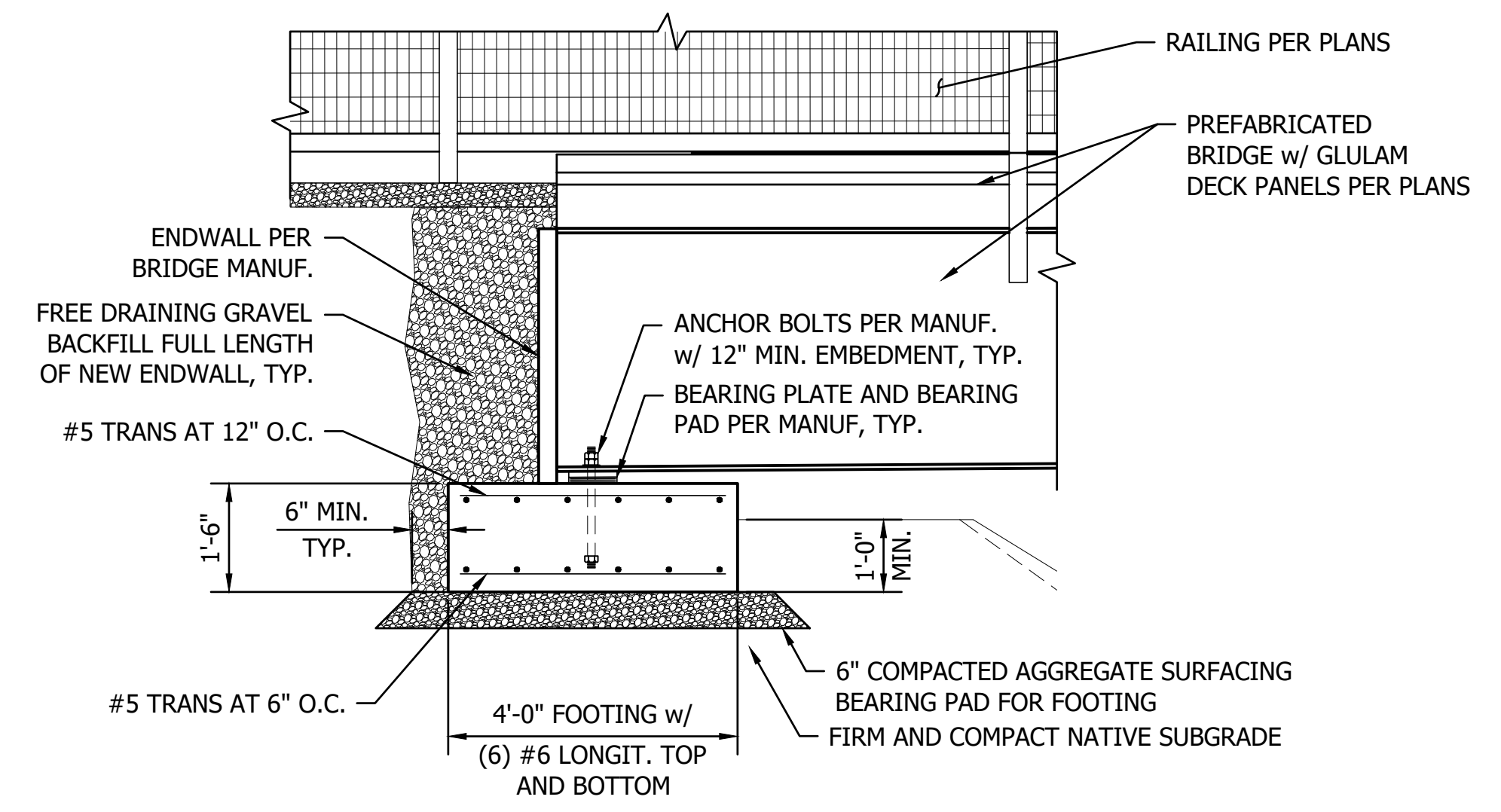


TYPICAL SECTION

2'

0 2' 4'

SCALE: 1/2" = 1'-0"



(1) TYPICAL FOOTING

NOTES

- ALL MEASUREMENTS PROVIDED HEREIN ARE APPROXIMATE AND SHOULD NOT BE ASSUMED TO REPLACE A PROFESSIONAL SURVEY.
- ALL LUMBER DIMENSIONS GIVEN ARE NOMINAL UNLESS NOTED AS ACTUAL. CONTRACTOR TO VERIFY DIMENSIONS AS REQUIRED TO COMPLETE CONSTRUCTION.

LEGEND

- * INDIVIDUAL GIRDER MEMBER LENGTHS VARY BETWEEN SINGLE AND 2-SPAN CONTINUOUS. THE MEMBER ENDS ARE STAGGERED AT ALL INTERIOR PIERS.
- ** TYPICAL GIRDER CONFIGURATION IS SHOWN IN THE SECTION BELOW. SOME SPANS MAY DIFFER FROM THAT SHOWN. CONTRACTOR TO VERIFY.

CAD NO.	
DATE	
APP.	
INT.	
REVISIONS	
NO.	

03/19/2024

SARGENT
SARGENT ENGINEERS, INC.
320 Ronlee Lane NW • Olympia, WA 98502
Tel. 360 867-9284 • Fax 360 867-9318
SEI Pr. No. - A22158.00
PROJECT ENGINEER

WASHINGTON STATE PARKS AND RECREATION COMMISSION

KLICKITAT STATE PARK TRAIL

SWALE CANYON TRAIL IMPROVEMENTS REBID

TRESTLE 9 - MP 10.8 PLAN, ELEVATION, & SECTION

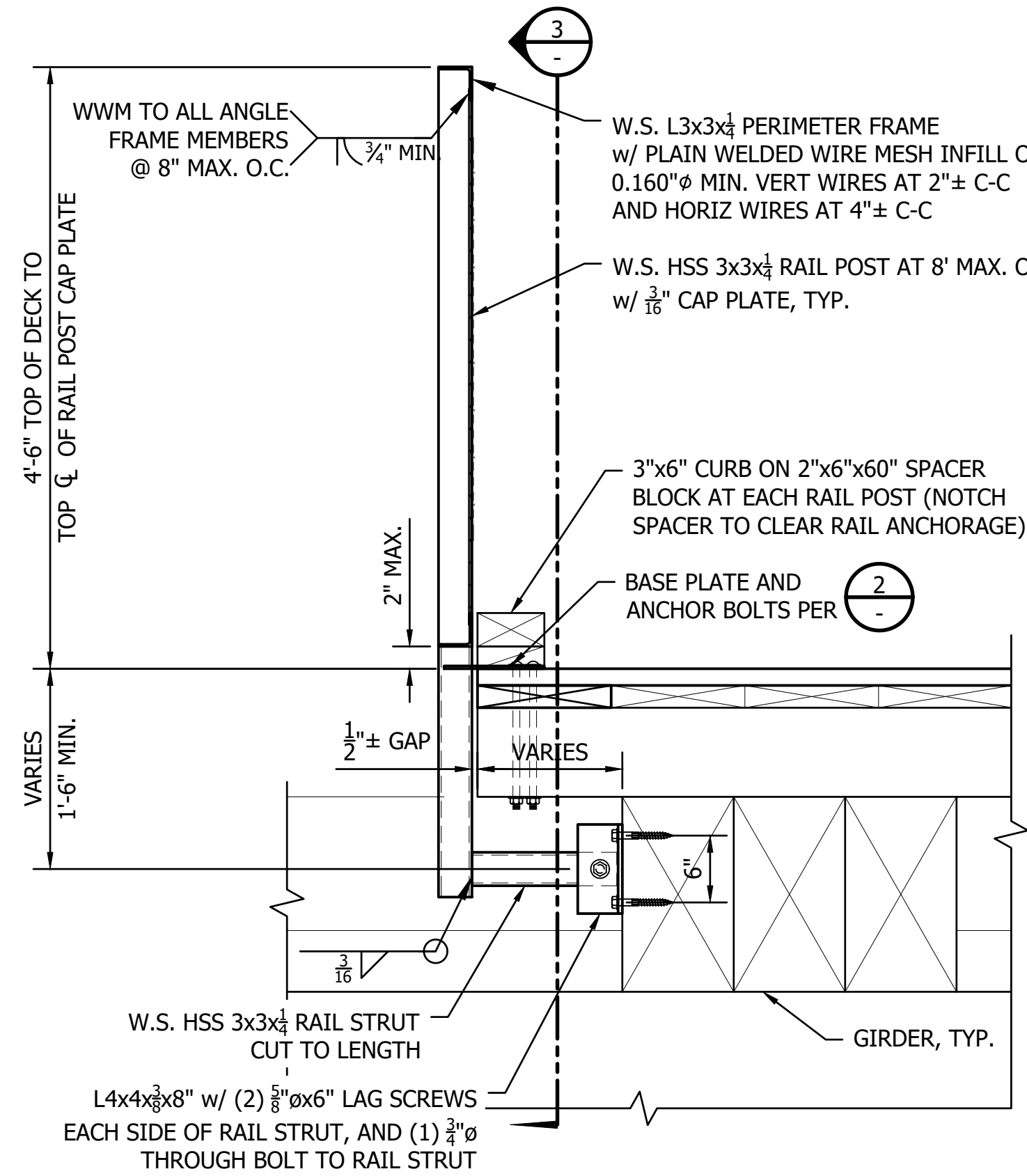
SCALE AS SHOWN

PARKS FILE#

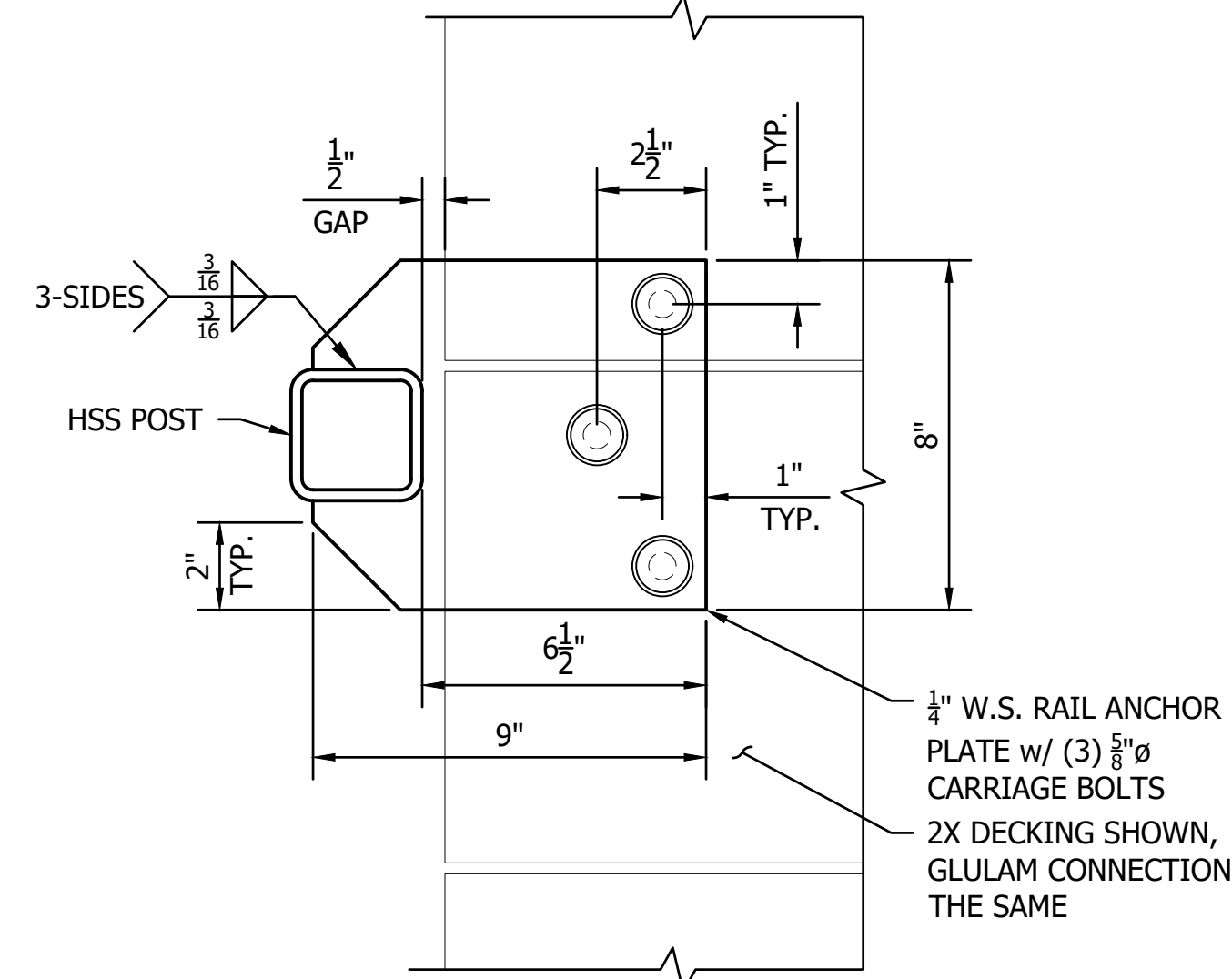
RAIL NOTES

DESIGN:
DESIGN LOAD: AASHTO PEDESTRIAN LOAD
ERECTION:

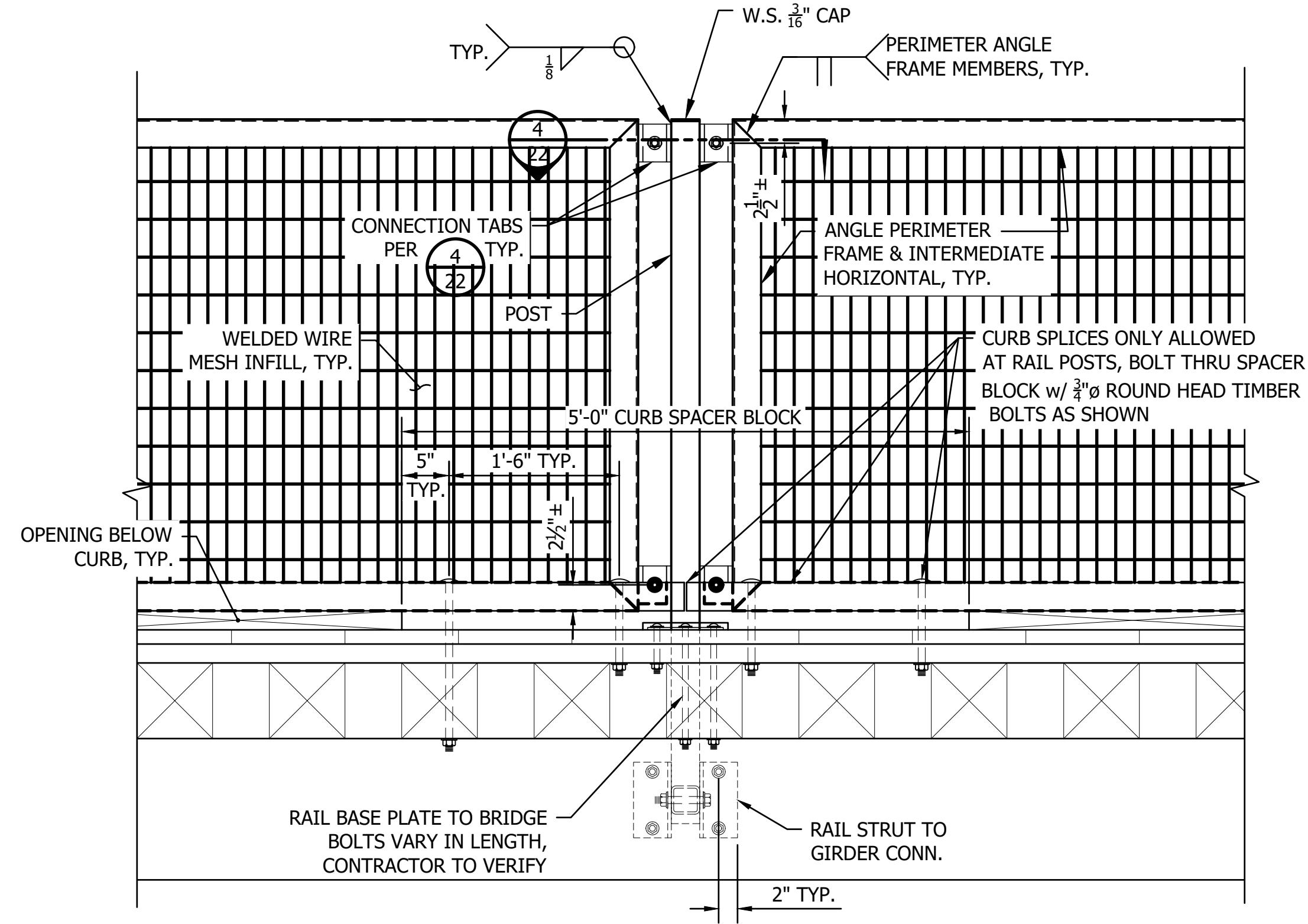
- ALL STEEL FRAMING FOR THE NEW PEDESTRIAN RAILING SHALL BE WEATHERING STEEL (W.S.) UNLESS NOTED OTHERWISE.
- NO FIELD CUTTING IS PERMITTED UNLESS APPROVED BY THE ENGINEER. ERECT ALL RAIL POSTS PERPENDICULAR TO GRADE AND ERECT THE RAILING PARALLEL TO GRADE (SQUARE TO POSTS). THE COMPLETED INSTALLATION SHOULD NOT REFLECT ANY UNEVENNESS IN THE STRUCTURE. SHIMS MAY BE INSTALLED BELOW THE RAIL POST BASE PLATES WHERE NEEDED.
- PRE-BORE HOLES IN ALL STEEL.
- ENSURE RED THREAD LOCKER IS USED ON ALL RAIL PANEL TO RAIL POST BOLTED CONNECTIONS, UNLESS NOTED OTHERWISE.



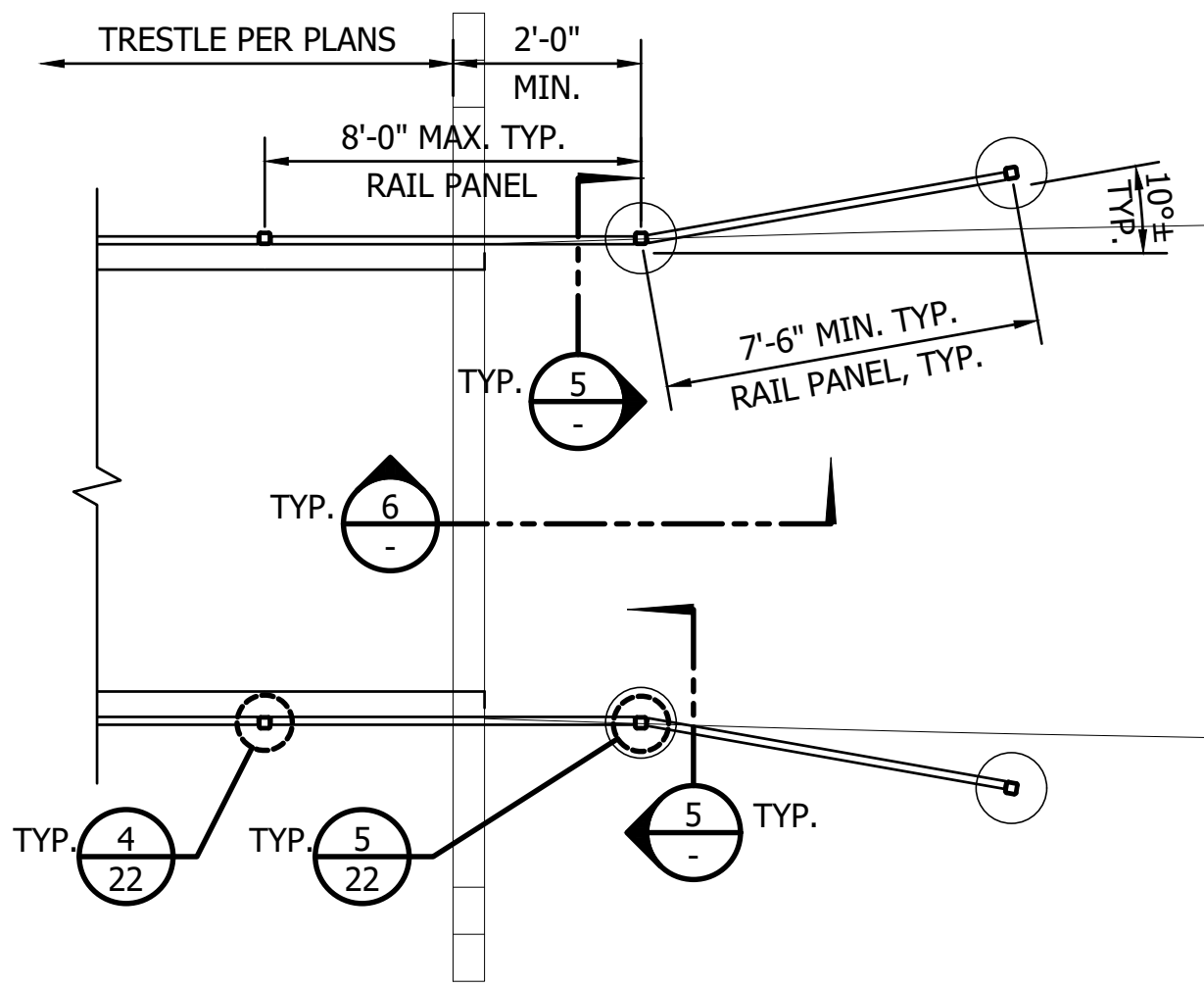
1 TYPICAL RAILING



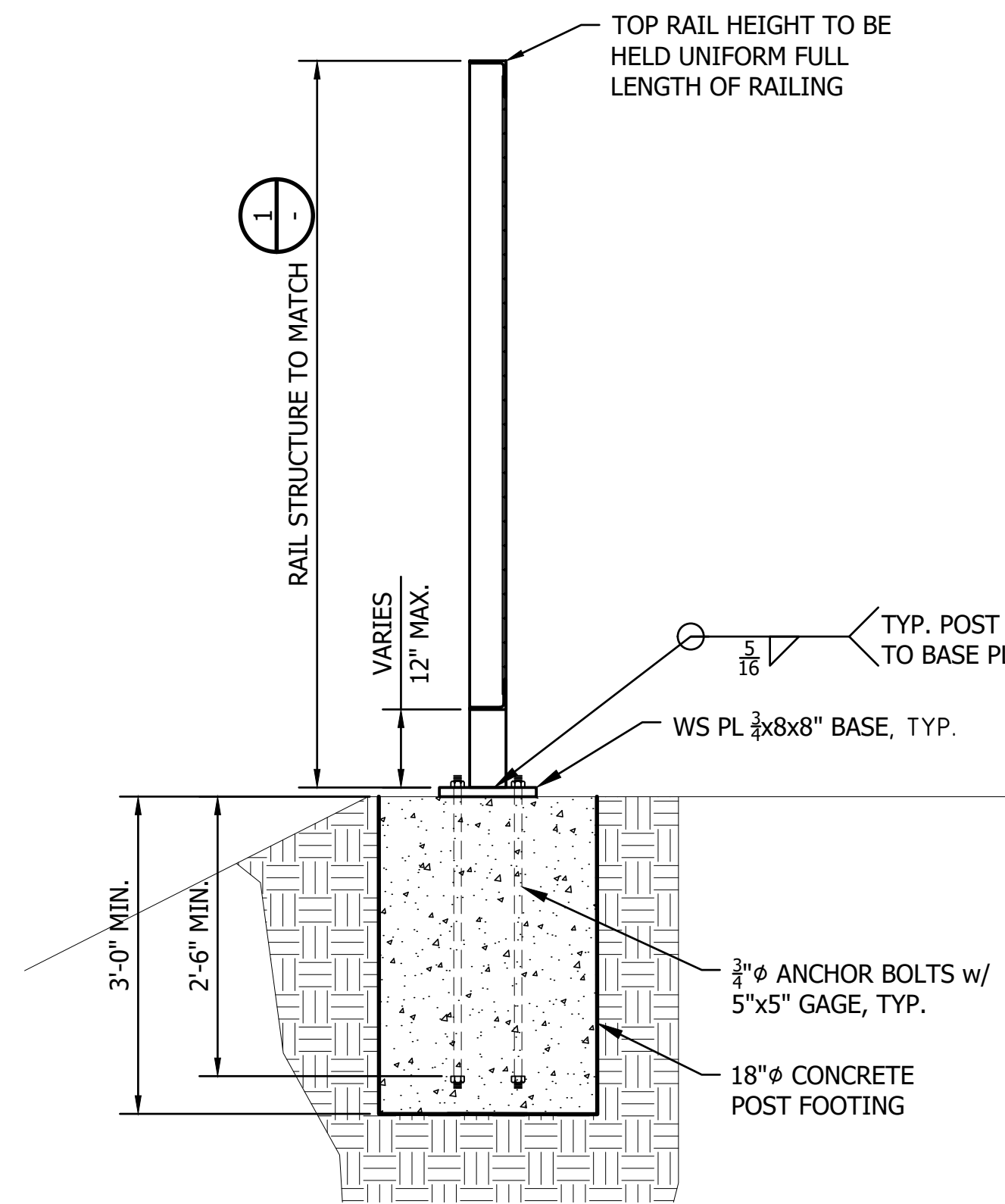
2 RAIL BASE PLATE



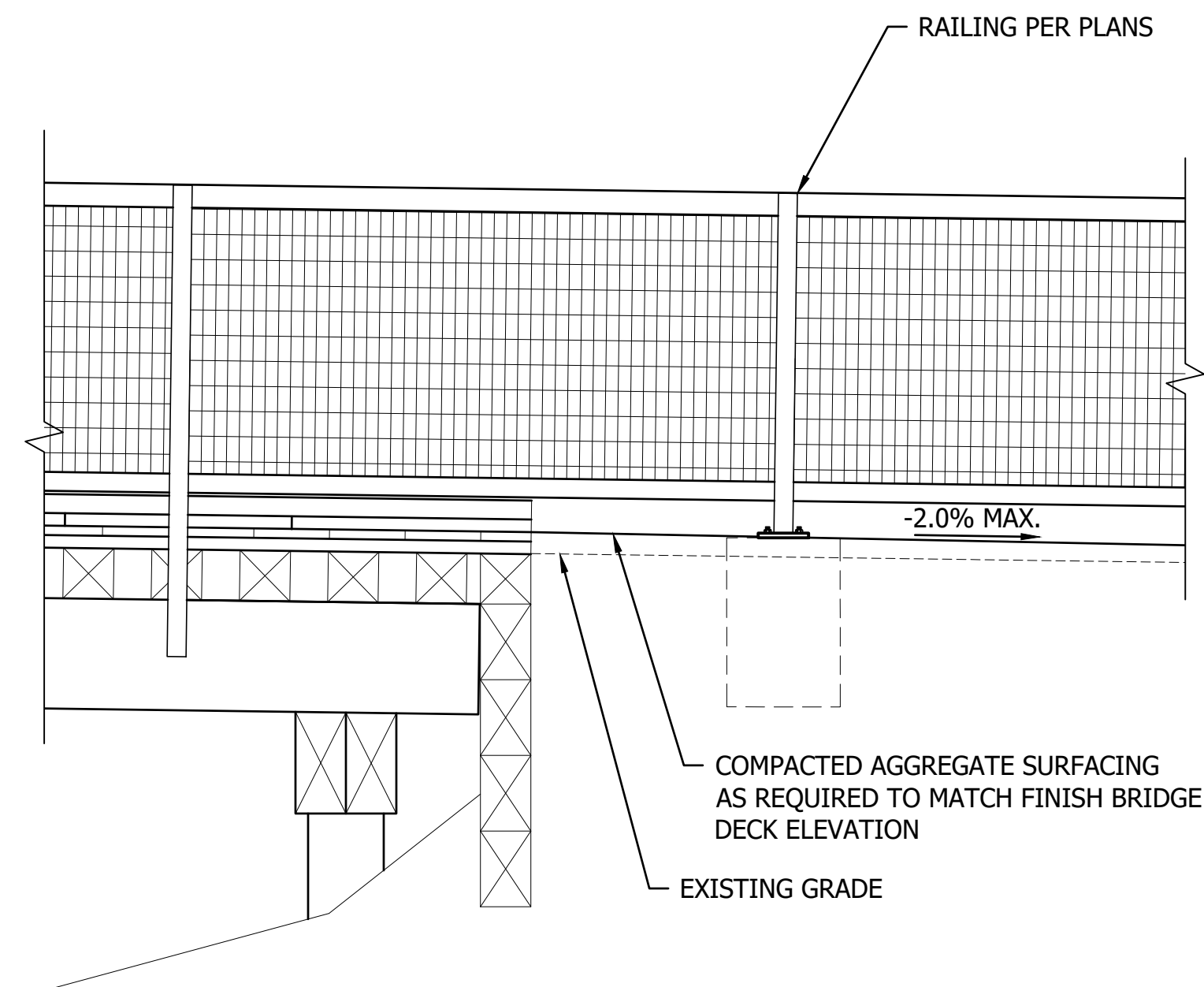
3 TYPICAL RAILING ELEVATION
TIMBER DECK TIE STRUCTURE SHOWN. GLULAM DECK SIMILAR.



4 TYPICAL APPROACH RAILING



5 APPROACH RAIL FOOTING



6 TYPICAL APPROACH FILL

CAD NO.		DATE
		APP.
		INT.
		REVISIONS
		NO.
ACTION	BY	DATE
DESIGNED	ECM	03/19/2024
DRAWN	OGC	03/19/2024
CHECKED	ECM	03/19/2024
CHECKED (HDQTS.)		

SARGENT
 SARGENT ENGINEERS, INC.
 320 Ronlee Lane NW • Olympia, WA 98502
 Tel. 360 867-9284 • Fax 360 867-9318
 SEI Pr. No. - A22158.00
 PROJECT ENGINEER

WASHINGTON
 STATE
 PARKS
 AND
 RECREATION
 COMMISSION

KLICKITAT STATE
 PARK TRAIL
 SWALE CANYON
 TRAIL
 IMPROVEMENTS
 REBID

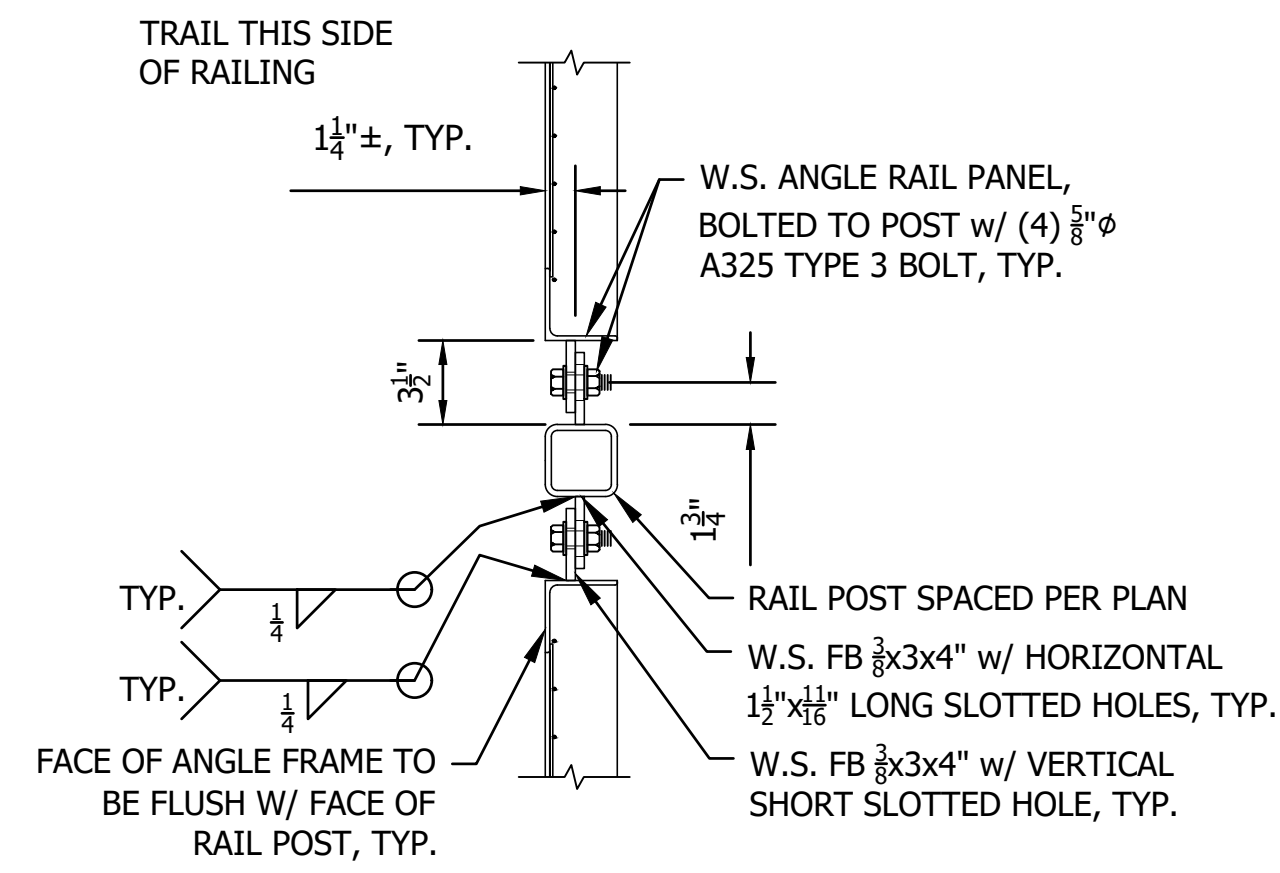
TRESTLE RAILING DETAILS

SCALE
NOT TO SCALE

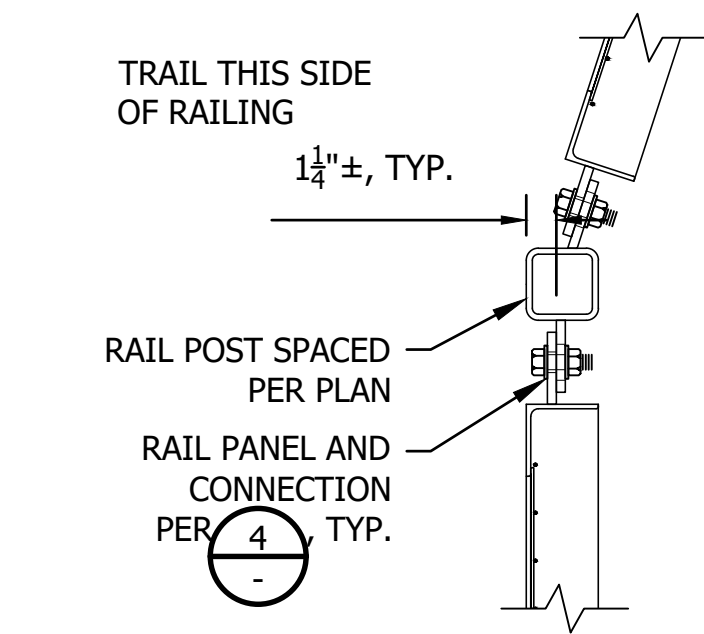
PARKS FILE#

Plotted: Mar 19, 2024 - 9:13 ErikM B:\22Files\A22158.00 WA Parks - Klickitat Trail\Drawings\04 Trestle Redecking Plans_rebid.dwg Layout Name: 21 Trestle Redecking Plans - Trestle Railing Details

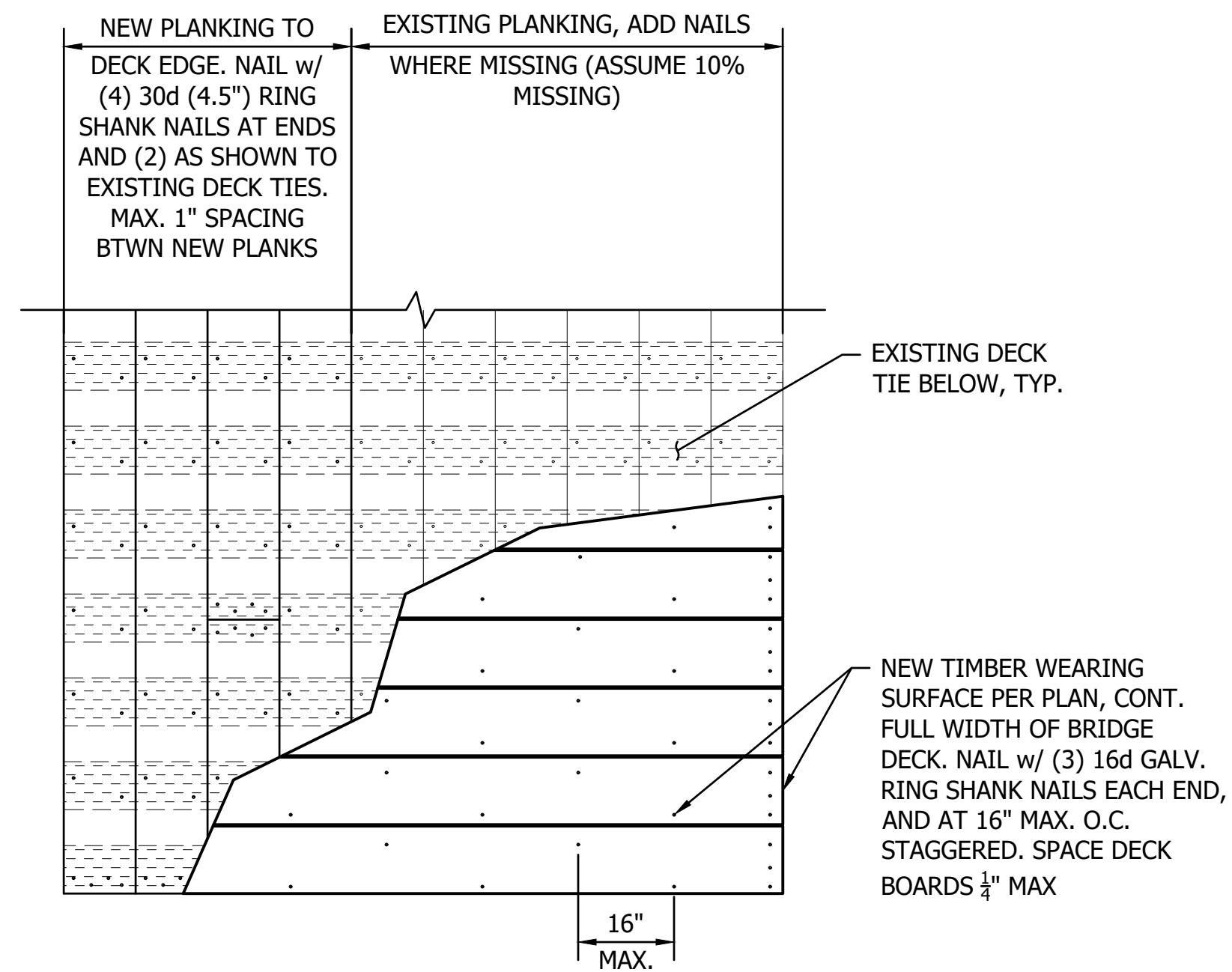
Plotted: Mar 19, 2024 - 9:13 ErikM B:\22Files\A22158.00 WA Parks - Klickitat Trail\Drawings\04 Trestle Redecking Plans_rebid.dwg Layout Name: 22 Trestle Redecking Plans - Trestle Decking Details



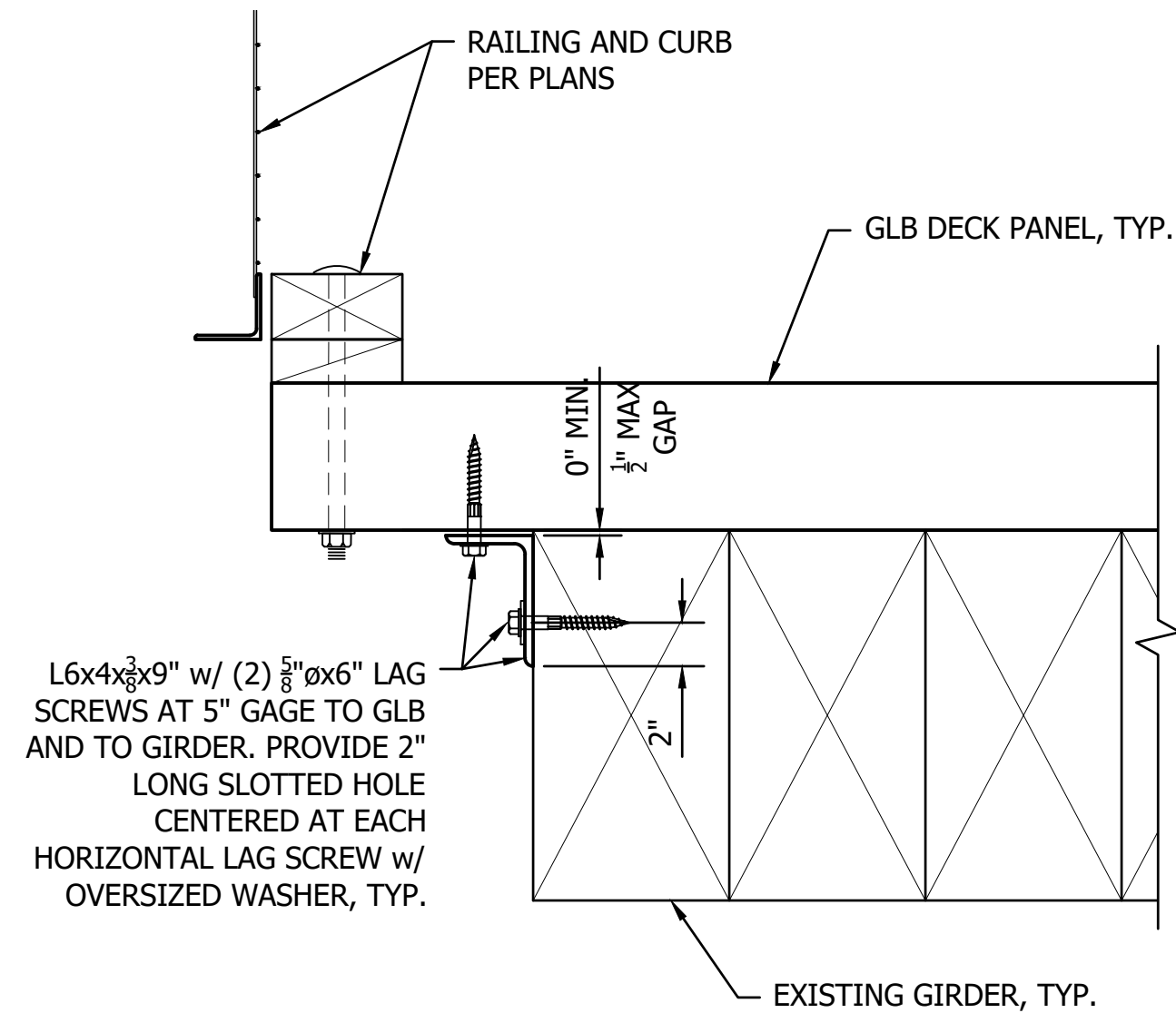
4 RAIL SECTION
SEE DETAIL 5 FOR RAIL POST AT BENDS IN RAILING



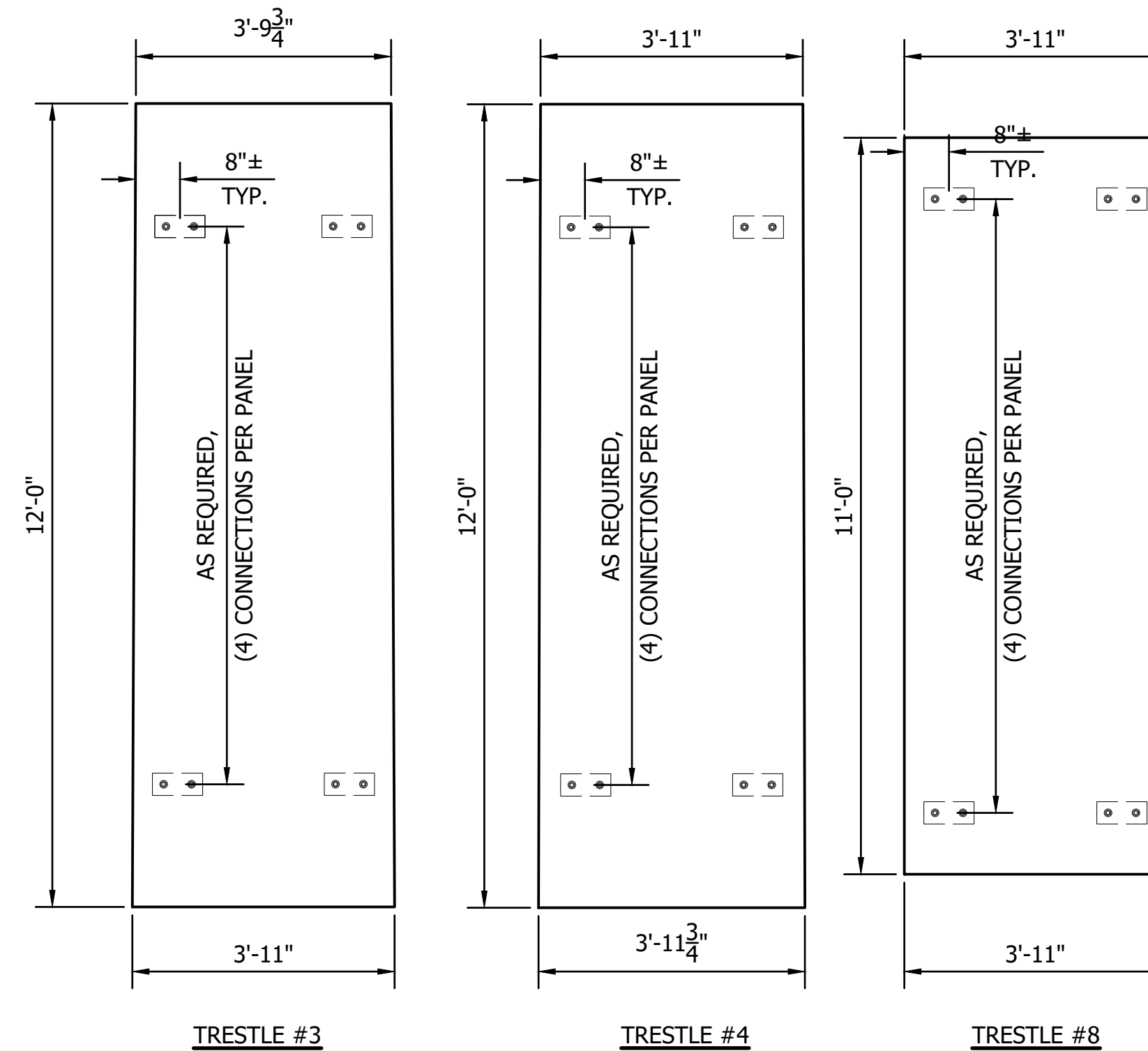
5 RAIL SECTION AT BENDS



1 TYPICAL PLANKING/WEARING SURFACE



2 TYPICAL GLULAM DECK CONNS
DECKING CONNECTIONS FOR PREMANUFACTURED BRIDGE SHALL BE PER THE BRIDGE MANUFACTURER



PROVIDE 1/4" ± GAP BETWEEN ALL GLULAM DECK PANELS, TYP.

3 TYPICAL GLULAM DECK PANELS

CAD NO.		DATE
		APP.
		INT.
		REVISIONS
		NO.
ACTION	BY	DATE
DESIGNED	ECM	03/19/2024
DRAWN	OGC	03/19/2024
CHECKED	ECM	03/19/2024
CHECKED (HDQTS.)		

SARGENT ENGINEERS, INC.
 320 Ronlee Lane NW • Olympia, WA 98502
 Tel. 360 867-9284 • Fax 360 867-9318
 SEI Pr. No. - A22158.00
 PROJECT ENGINEER

WASHINGTON STATE PARKS AND RECREATION COMMISSION

KLICKITAT STATE PARK TRAIL
 SWALE CANYON TRAIL IMPROVEMENTS
REBID

TRESTLE DECKING DETAILS

SCALE: NOT TO SCALE

PARKS FILE#