

WASHINGTON STATE PARKS & RECREATION COMMISSION

KEN BOUNDS, CHAIR

SOPHIA DANENBERG

LAURIE CONNELLY

MICHAEL LATIMER

MARK O. BROWN

ALI RAAD

HOLLY WILLIAMS

DIANA DUPUIS, DIRECTOR



APPROVED FOR CONSTRUCTION

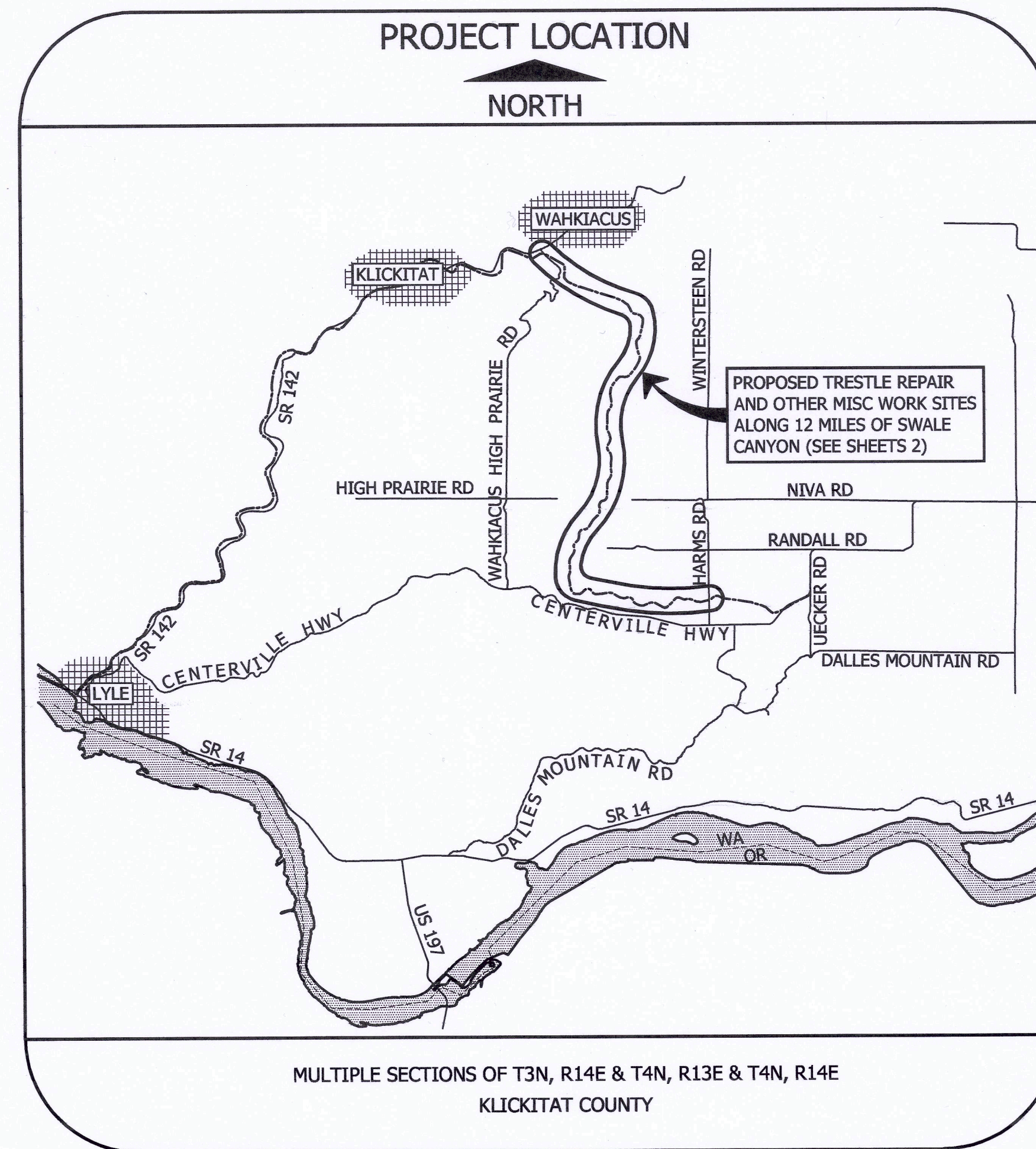
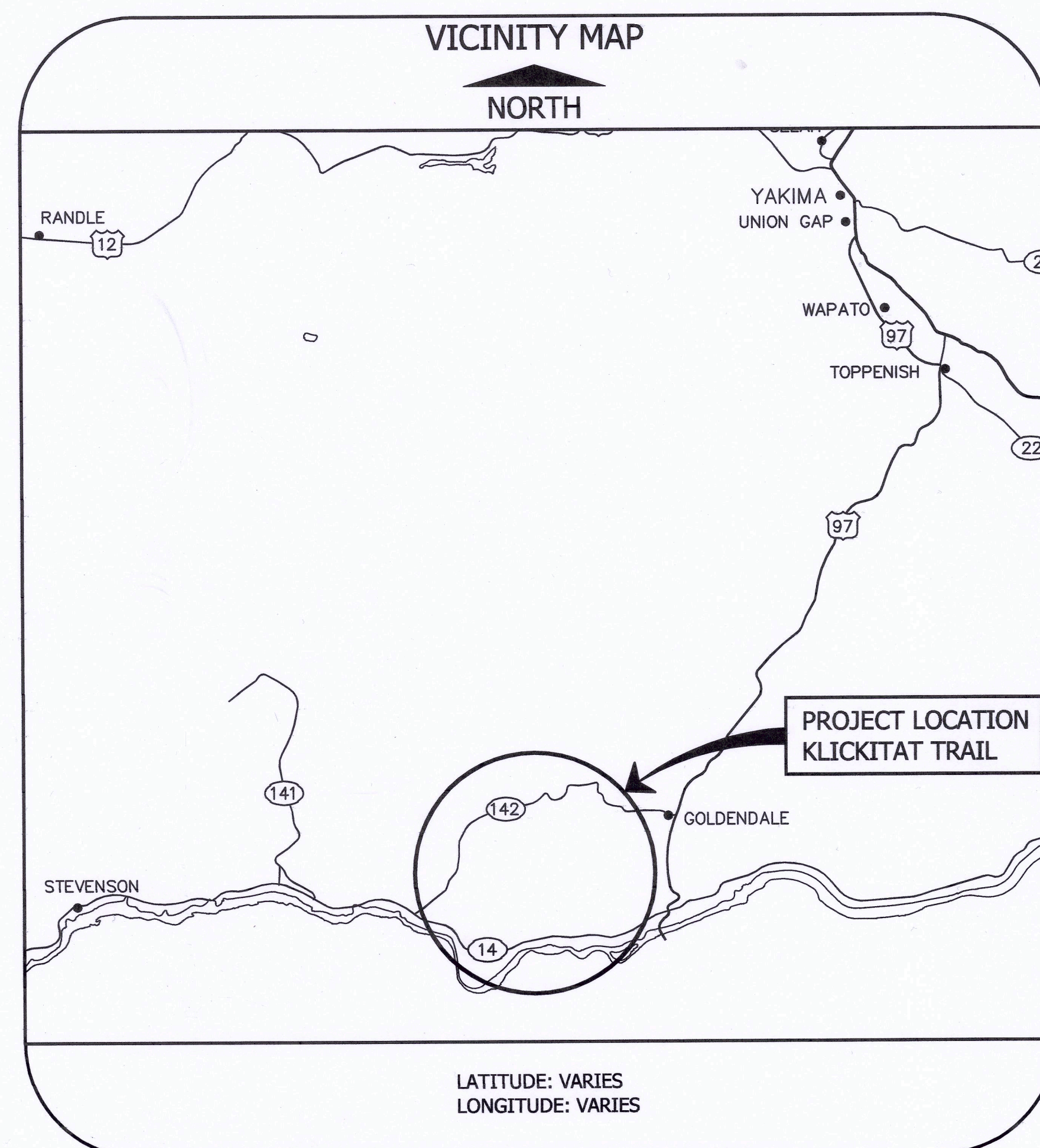
Jam Both 11/9/2023
REGION MANAGER date
Kyle Murphy 12/5/2023
CAPITAL PROGRAM MANAGER date

Area Manager: JILL SPRANCE-CARR

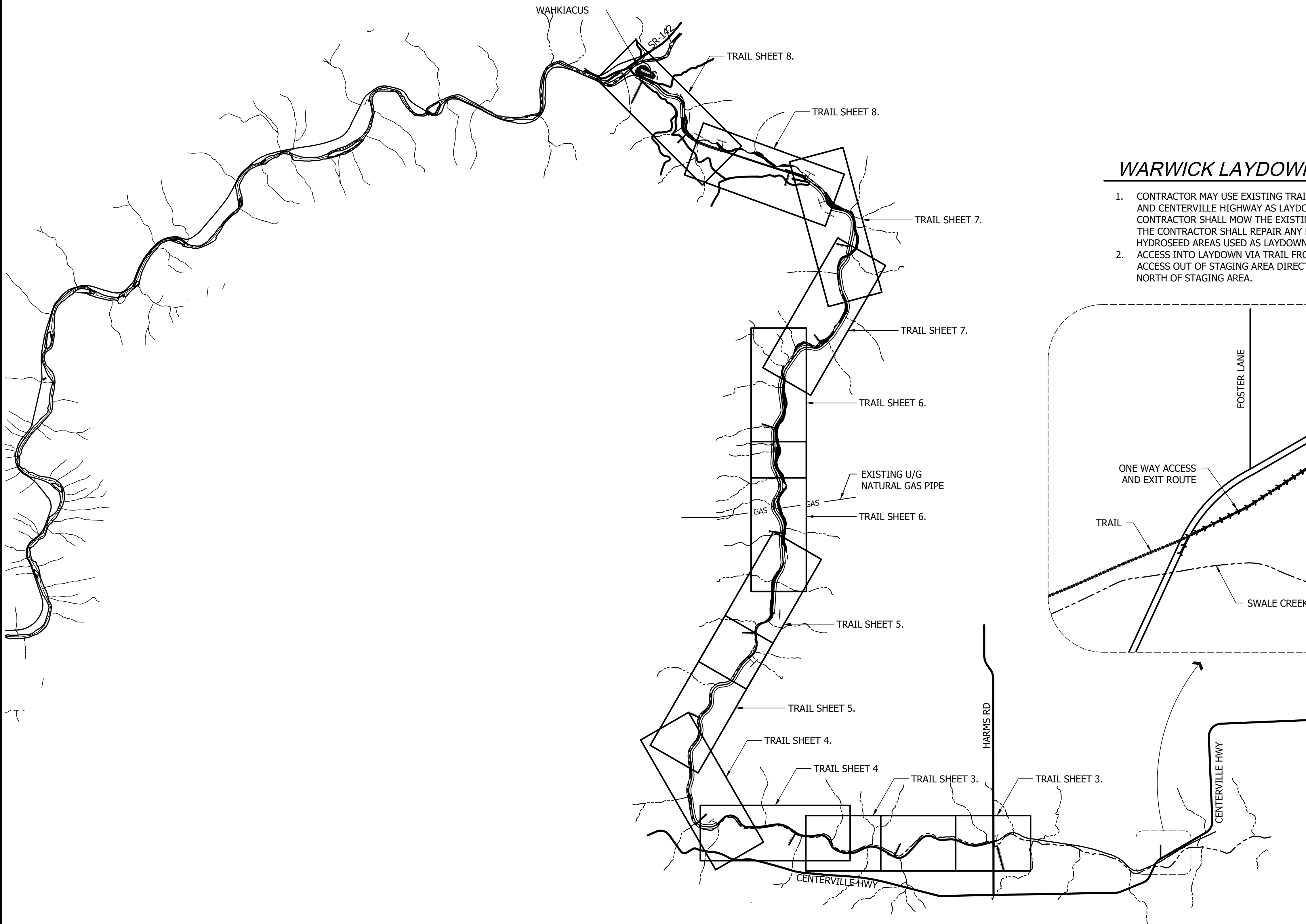
KLICKITAT STATE PARK TRAIL SWALE CANYON TRAIL IMPROVEMENTS

INDEX

SHEET	DESCRIPTION
	SITE WORK
1	COVER SHEET
2	OVERALL SITE PLAN (PLAN KEY ALONG SWALE CANYON)
3	MILE 0.0-2.0 WORK SITES
4	MILE 2.0-4.0 WORK SITES
5	MILE 4.0-6.0 WORK SITES
6	MILE 6.0-8.0 WORK SITES
7	MILE 8.0-10.0 WORK SITES
8	MILE 10.0-11.73 WORK SITES
9	RR GRADE REPAIR PROFILES
10	TYPICAL TRAIL SECTIONS & WASHOUT REPAIR
11	VEHICLE GATE DETAIL
12	ALT A1 - V-FRAME GATE DETAIL
	TRESTLE REPAIRS
13	TRESTLE 1- MP 0.0 PLAN, ELEVATION, & SECTION
14	TRESTLE 2- MP 1.0 PLAN, ELEVATION, & SECTION
15	TRESTLE 3- MP 1.8 PLAN, ELEVATION, & SECTION
16	TRESTLE 4- MP 5.7 PLAN, ELEVATION, & SECTION
17	TRESTLE 5- MP 6.0 PLAN, ELEVATION, & SECTION
18	TRESTLE 6- MP 7.5 PLAN, ELEVATION, & SECTION
19	TRESTLE 8- MP 8.9 PLAN, ELEVATION, & SECTION
20	TRESTLE 9- MP 10.8 PLAN, ELEVATION, & SECTION
21	TRESTLE RAILING DETAILS
22	TRESTLE DECKING DETAILS



Plotted: Oct 14, 2023 - 21:45 ErikM B:\22Files\A22158.00 WA Parks - Klickitat Trail\Drawings\02 Trail Work Sites.dwg Layout Name: 2 Trail Work Sites - OVERALL



WARWICK LAYDOWN NOTE:

1. CONTRACTOR MAY USE EXISTING TRAIL AND AREA BETWEEN TRAIL AND CENTERVILLE HIGHWAY AS LAYDOWN. PRIOR TO USE, CONTRACTOR SHALL MOW THE EXISTING GRASS LOW. AFTER USE THE CONTRACTOR SHALL REPAIR ANY DAMAGED AREAS AND HYDROSEED AREAS USED AS LAYDOWN.
2. ACCESS INTO LAYDOWN VIA TRAIL FROM CENTERVILLE HWY. ACCESS OUT OF STAGING AREA DIRECTLY TO CENTERVILLE HWY NORTH OF STAGING AREA.

OVERALL SITE PLAN (PLAN KEY ALONG SWALE CANYON)

CAD NO.		
	DATE	
	APP.	
	INT.	
		REVISIONS
		NO.
ACTION	BY	DATE
DESIGNED	ECM	10/14/2023
DRAWN	OGC	10/14/2023
CHECKED	ECM	10/14/2023
CHECKED (HDQTS.)		

10/14/2023
SARGENT
SARGENT ENGINEERS, INC.
320 Ronlee Lane NW • Olympia, WA 98502
Tel. 360 867-9284 • Fax 360 867-9318
SEI Pr. No. - A22158.00
PROJECT ENGINEER

WASHINGTON STATE PARKS AND RECREATION COMMISSION

KLICKITAT STATE PARK TRAIL

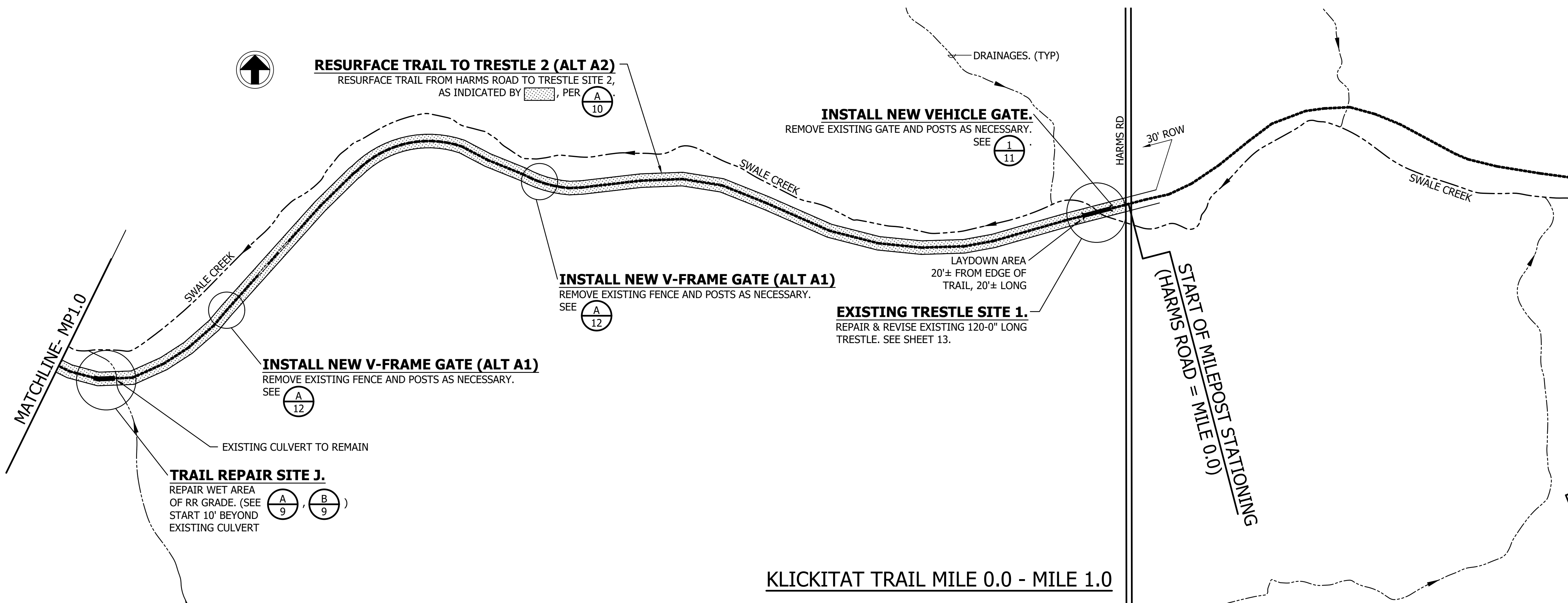
SWALE CANYON TRAIL IMPROVEMENTS

OVERALL SITE PLAN

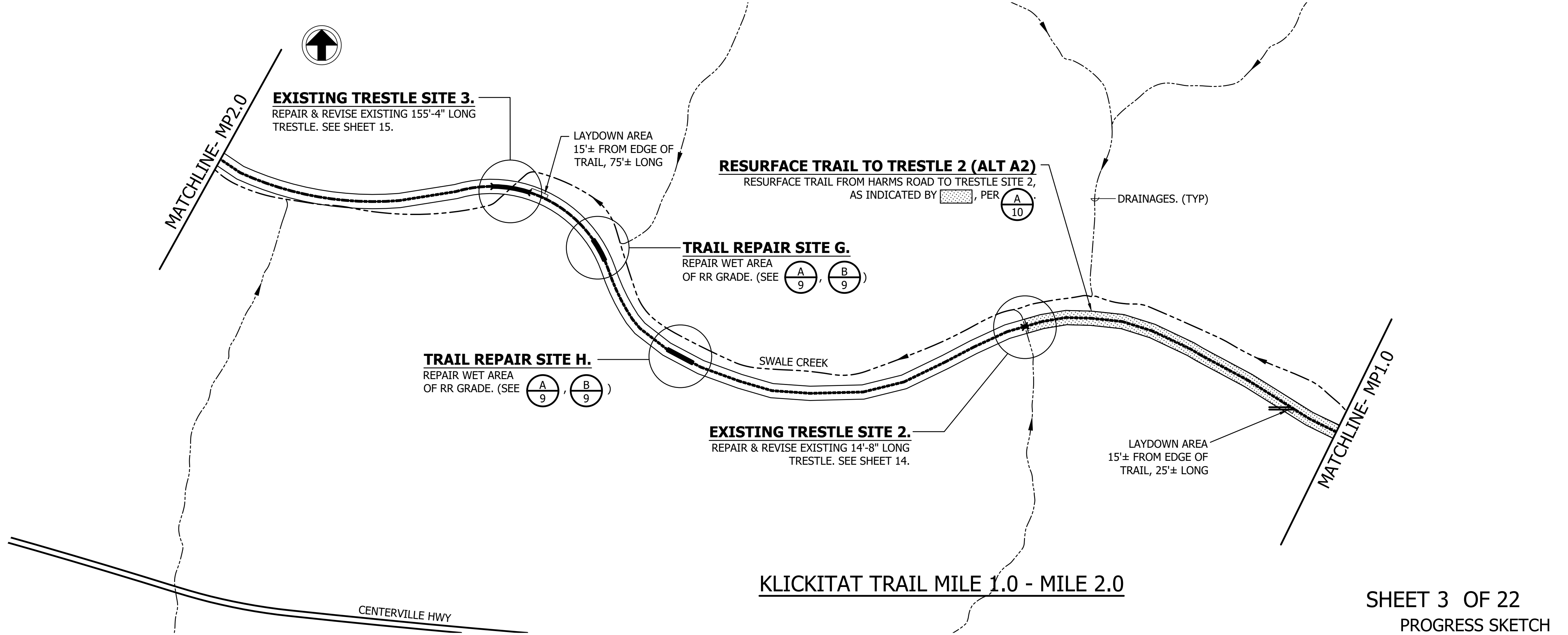
SCALE
NOT TO SCALE

PARKS FILE#

Plotted: Oct 14, 2023 - 21:45 ErikM B:\22Files\A22158.00 WA Parks - Klickitat Trail\Drawings\02 Trail Work Sites.dwg Layout Name: 3 Trail Work Sites A



KLICKITAT TRAIL MILE 0.0 - MILE 1.0



KLICKITAT TRAIL MILE 1.0 - MILE 2.0

SHEET 3 OF 22
PROGRESS SKETCH

CAD NO.

		DATE
		APP.
		INT.
		REVISIONS
		NO.

ACTION	BY	DATE
DESIGNED	ECM	10/14/2023
DRAWN	OGC	10/14/2023
CHECKED	ECM	10/14/2023
CHECKED (HDQTS.)		

10/14/2023
SARGENT
 SARGENT ENGINEERS, INC.
 320 Ronlee Lane NW • Olympia, WA 98502
 Tel. 360 867-9284 • Fax 360 867-9318
 SEI Pr. No. - A22158.00
 PROJECT ENGINEER

WASHINGTON
STATE
PARKS
AND
RECREATION
COMMISSION

**KLICKITAT STATE
PARK TRAIL**

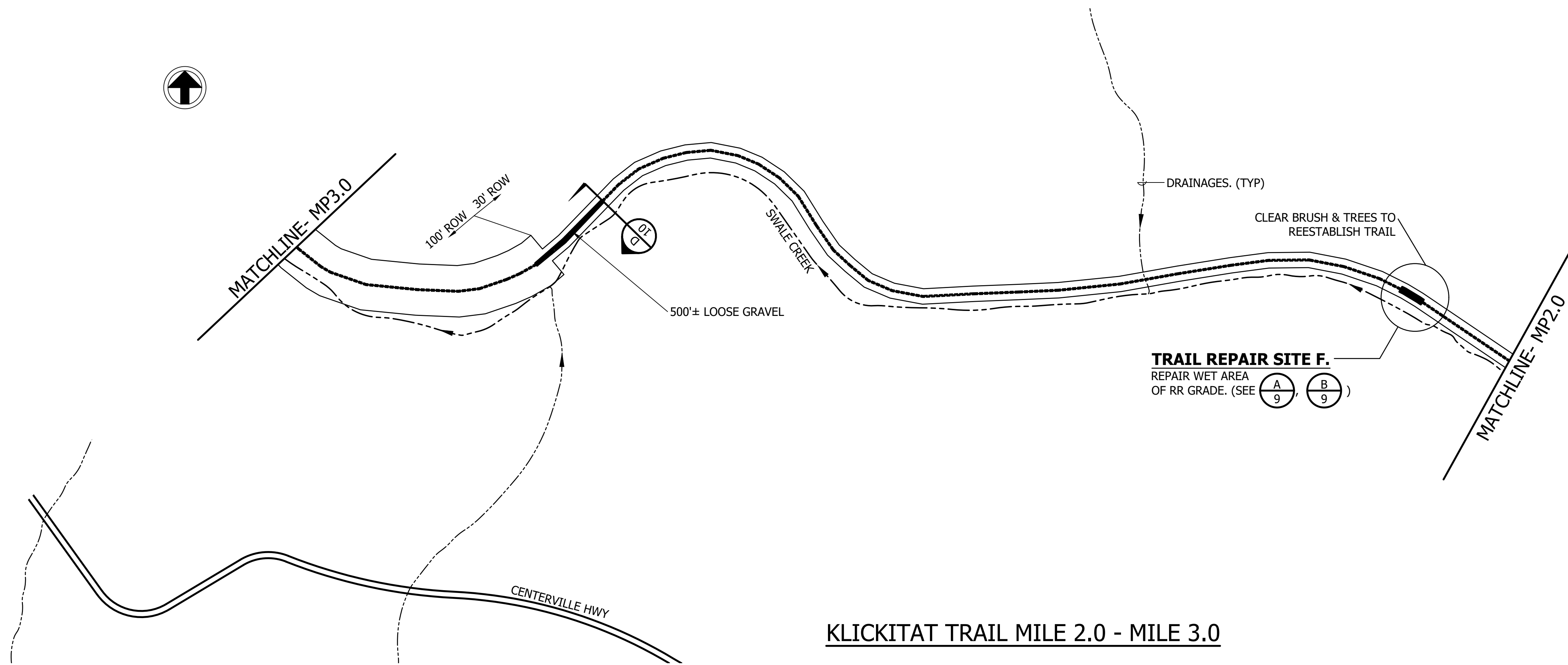
**SWALE CANYON
TRAIL
IMPROVEMENTS**

MILE 0.0 - 2.0
WORK SITES

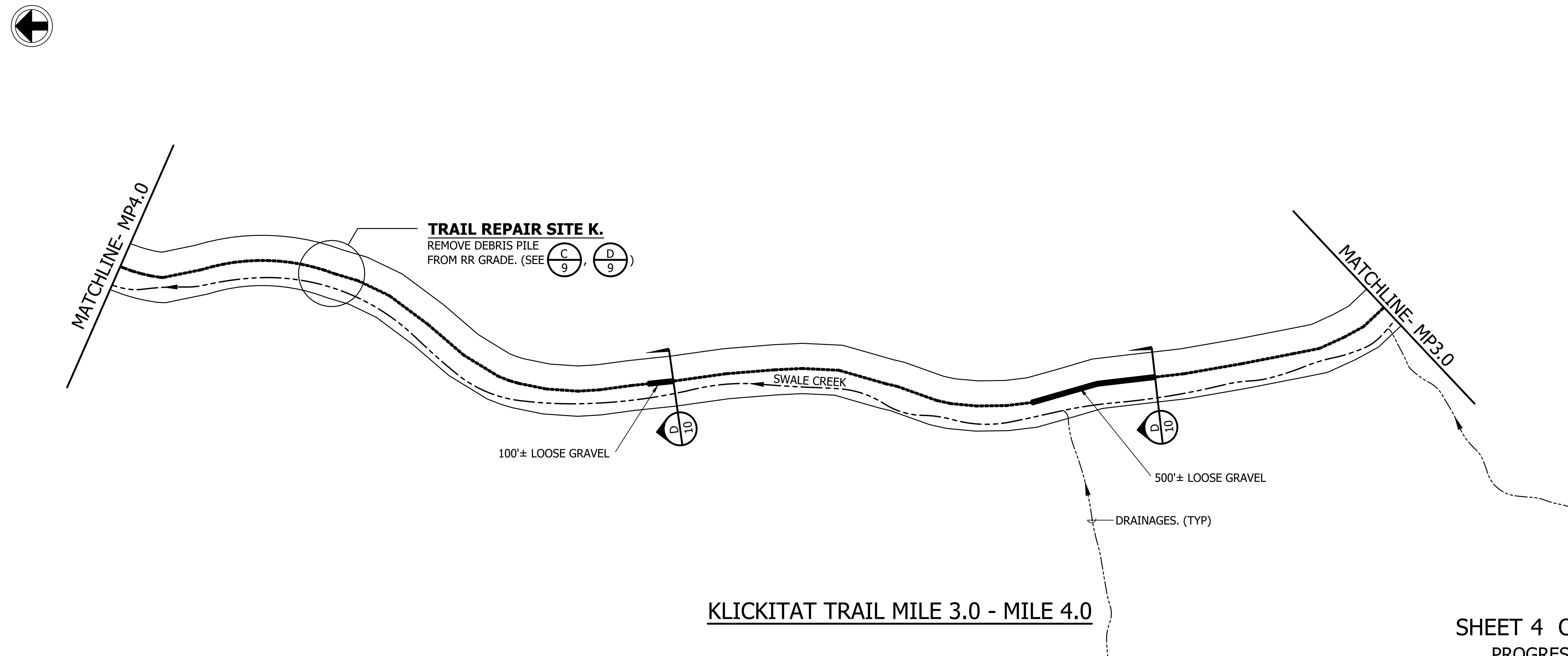
SCALE
AS SHOWN

PARKS FILE#

Plotted: Oct 14, 2023 - 21:45 ErikM B:\22Files\22158.00 WA Parks - Klickitat Trail\Drawings\02 Trail Work Sites.dwg Layout Name: 4 Trail Work Sites B



KLICKITAT TRAIL MILE 2.0 - MILE 3.0



KLICKITAT TRAIL MILE 3.0 - MILE 4.0

SHEET 4 OF 22
PROGRESS SKETCH

CAD NO.		
	DATE	
	APP.	
	INT.	
REVISIONS		
		NO.
ACTION	BY	DATE
DESIGNED	ECM	10/14/2023
DRAWN	OGC	10/14/2023
CHECKED	ECM	10/14/2023
CHECKED (HDQTS.)		

10/14/2023

SARGENT
SARGENT ENGINEERS, INC.
320 Ronlee Lane NW • Olympia, WA 98502
Tel. 360 867-9284 • Fax 360 867-9318
SEI Pr. No. - A22158.00
PROJECT ENGINEER

WASHINGTON
STATE
PARKS
AND
RECREATION
COMMISSION

KLICKITAT STATE
PARK TRAIL

SWALE CANYON
TRAIL
IMPROVEMENTS

MILE 2.0 - 4.0
WORK SITES

SCALE
AS SHOWN

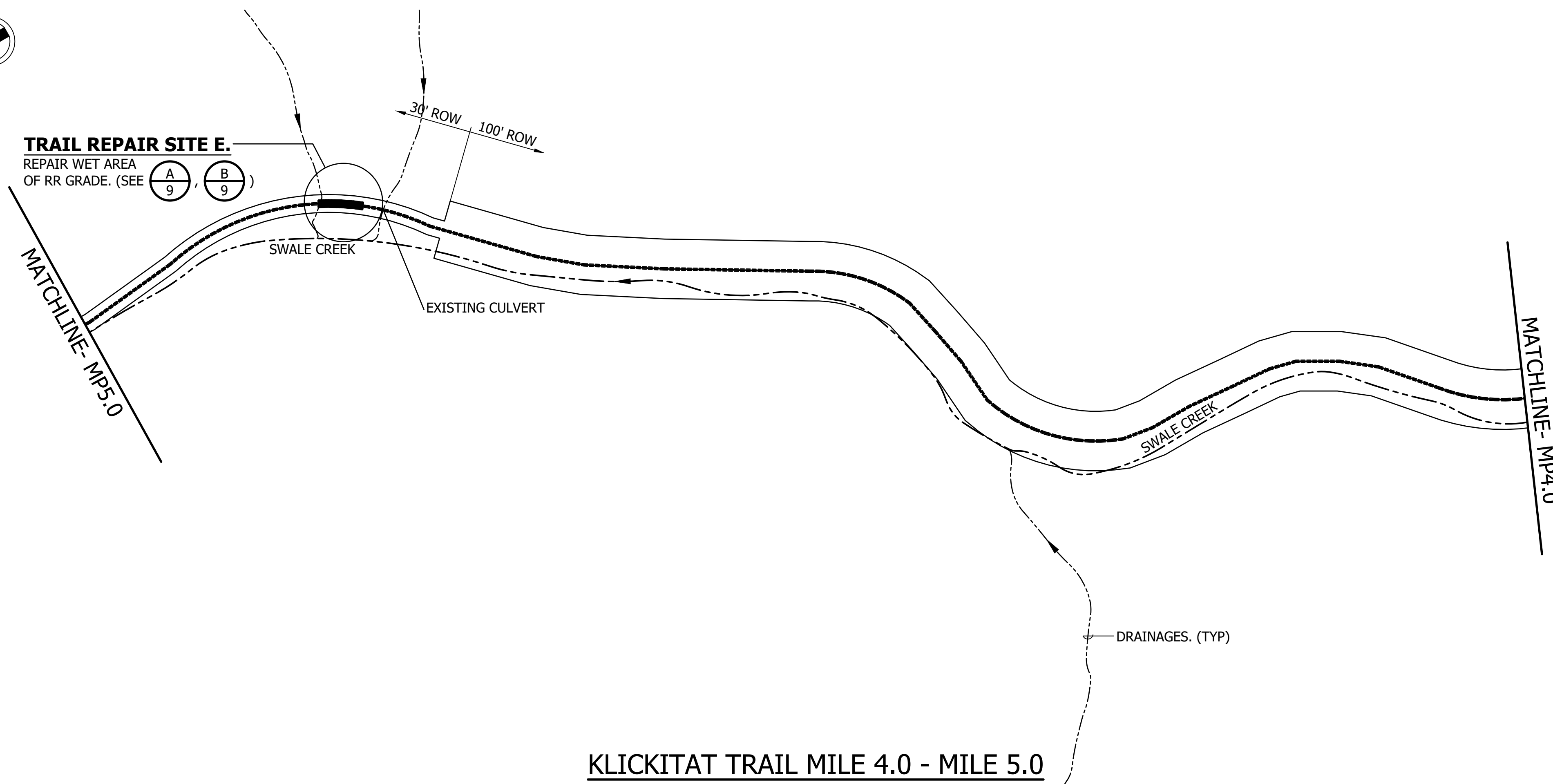
PARKS FILE#

Plotted: Oct 14, 2023 - 21:45 ErikM B:\22Files\A22158.00 WA Parks - Klickitat Trail\Drawings\02 Trail Work Sites.dwg Layout Name: 5 Trail Work Sites C

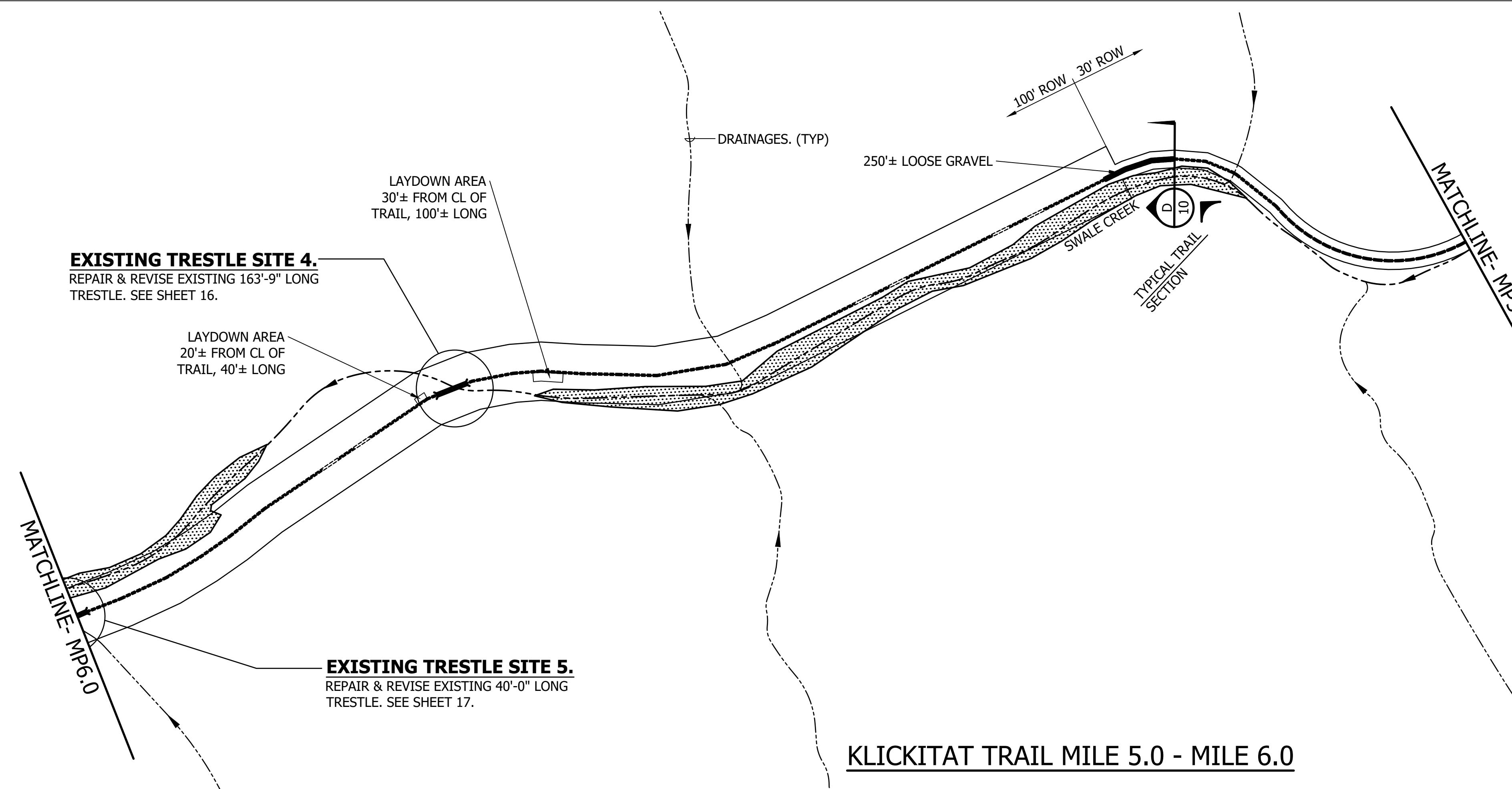


TRAIL REPAIR SITE E.

REPAIR WET AREA OF RR GRADE. (SEE A/B 9/9)



KLICKITAT TRAIL MILE 4.0 - MILE 5.0



KLICKITAT TRAIL MILE 5.0 - MILE 6.0

SHEET 5 OF 22
PROGRESS SKETCH

CAD NO.		
	APP.	DATE
	INT.	
REVISIONS		
		NO.
ACTION	BY	DATE
DESIGNED	ECM	10/14/2023
DRAWN	OGC	10/14/2023
CHECKED	ECM	10/14/2023
CHECKED (HDQTS.)		

10/14/2023
SARGENT
SARGENT ENGINEERS, INC.
320 Ronlee Lane NW • Olympia, WA 98502
Tel. 360 867-9284 • Fax 360 867-9318
SEI Pr. No. - A22158.00
PROJECT ENGINEER

WASHINGTON
STATE
PARKS
AND
RECREATION
COMMISSION



**KLICKITAT STATE
PARK TRAIL**

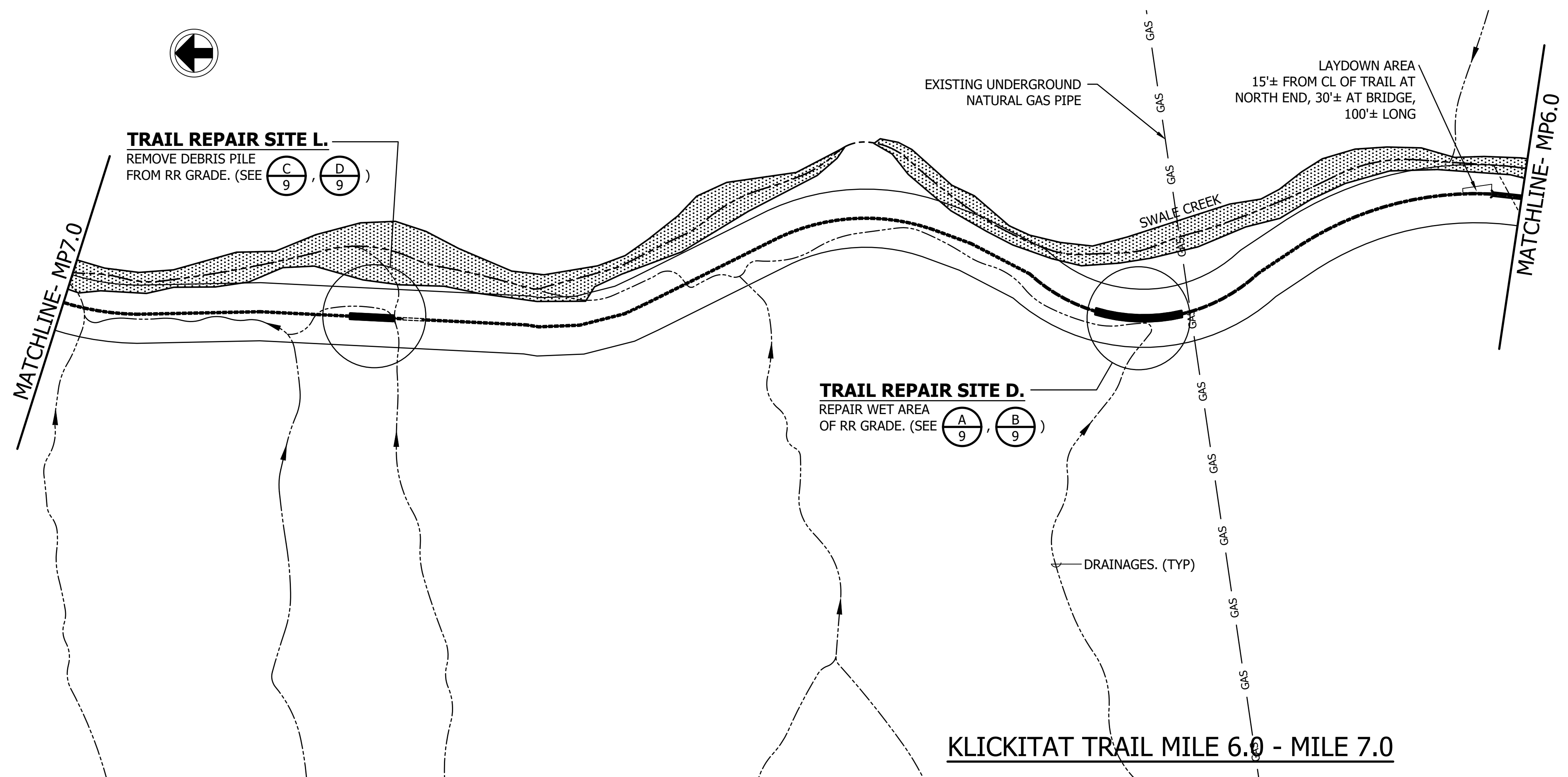
**SWALE CANYON
TRAIL
IMPROVEMENTS**

**MILE 4.0 - 6.0
WORK SITES**

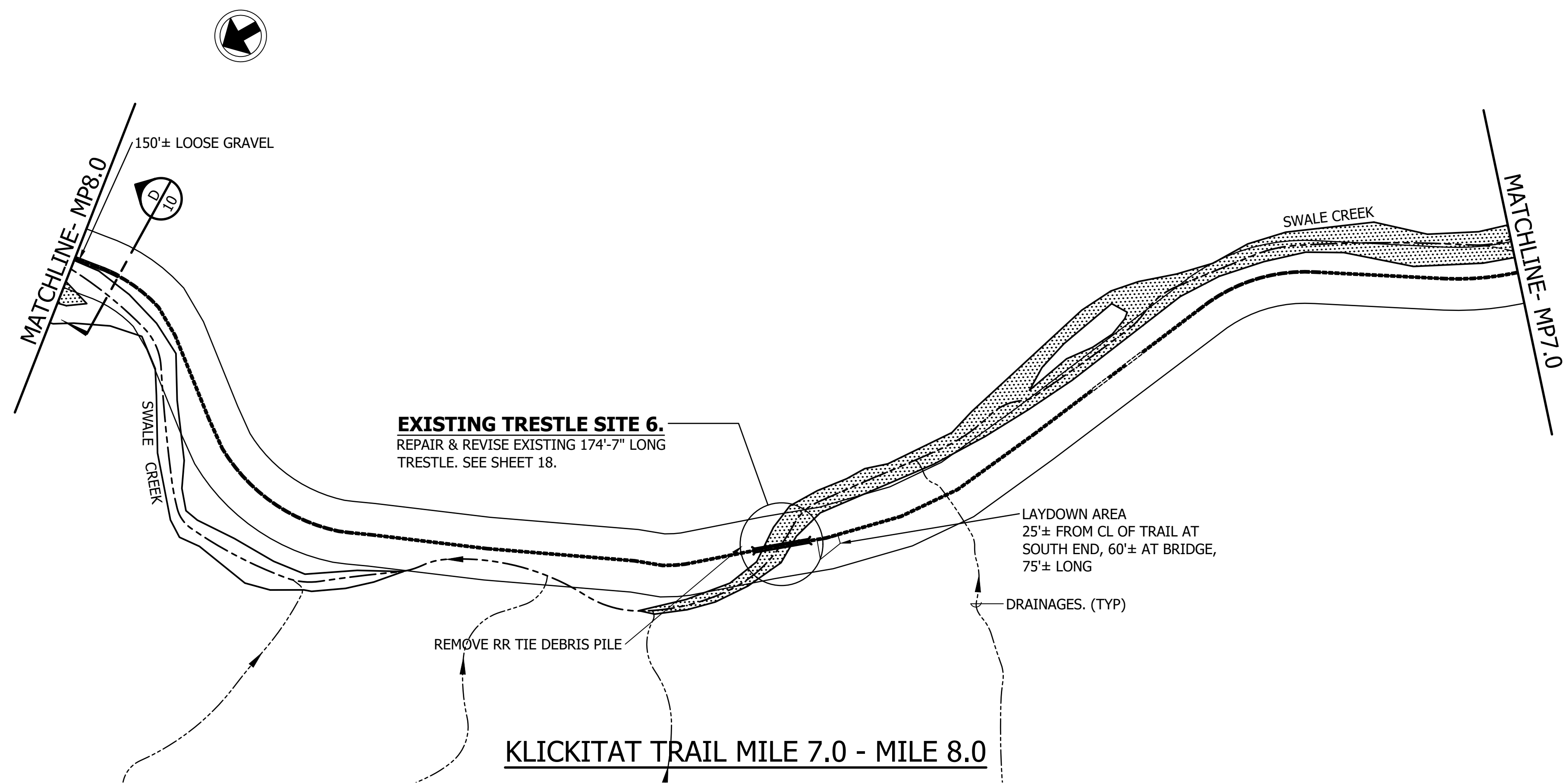
SCALE
AS SHOWN

PARKS FILE#

Plotted: Oct 14, 2023 - 21:45 ErikM B:\22Files\A22158.00 WA Parks - Klickitat Trail\Drawings\02 Trail Work Sites.dwg Layout Name: 6 Trail Work Sites D



KLICKITAT TRAIL MILE 6.0 - MILE 7.0



KLICKITAT TRAIL MILE 7.0 - MILE 8.0

**SHEET 6 OF 22
PROGRESS SKETCH**

CAD NO.		DATE
		APP.
		INT.
		REVISIONS
		NO.
ACTION	BY	DATE
DESIGNED	ECM	10/14/2023
DRAWN	OGC	10/14/2023
CHECKED	ECM	10/14/2023
CHECKED (HDQTS.)		

SARGENT
SARGENT ENGINEERS, INC.
320 Ronlee Lane NW • Olympia, WA 98502
Tel. 360 867-9284 • Fax 360 867-9318
SEI Pr. No. - A22158.00
PROJECT ENGINEER

WASHINGTON STATE PARKS AND RECREATION COMMISSION

KLICKITAT STATE PARK TRAIL

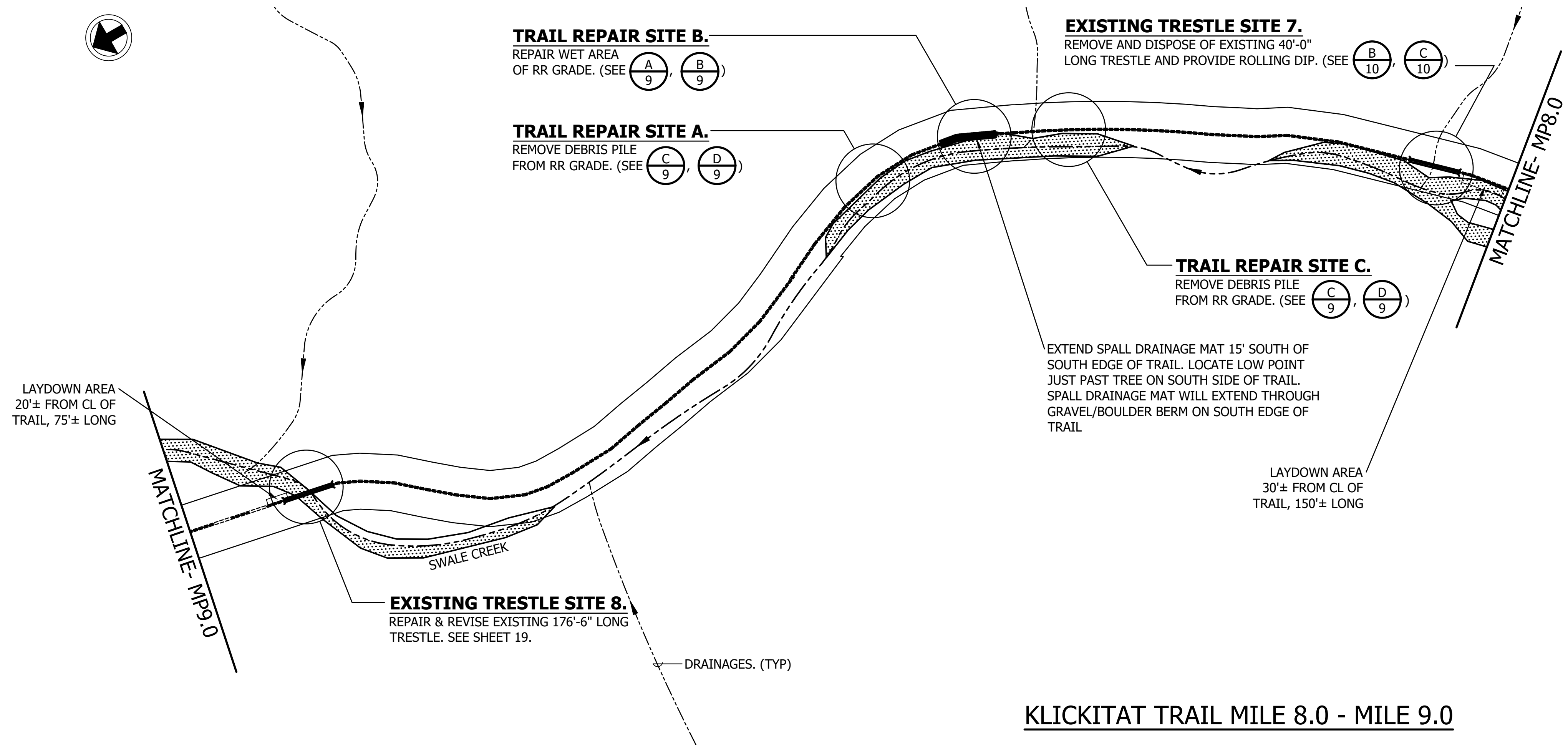
SWALE CANYON TRAIL IMPROVEMENTS

MILE 6.0 - 8.0 WORK SITES

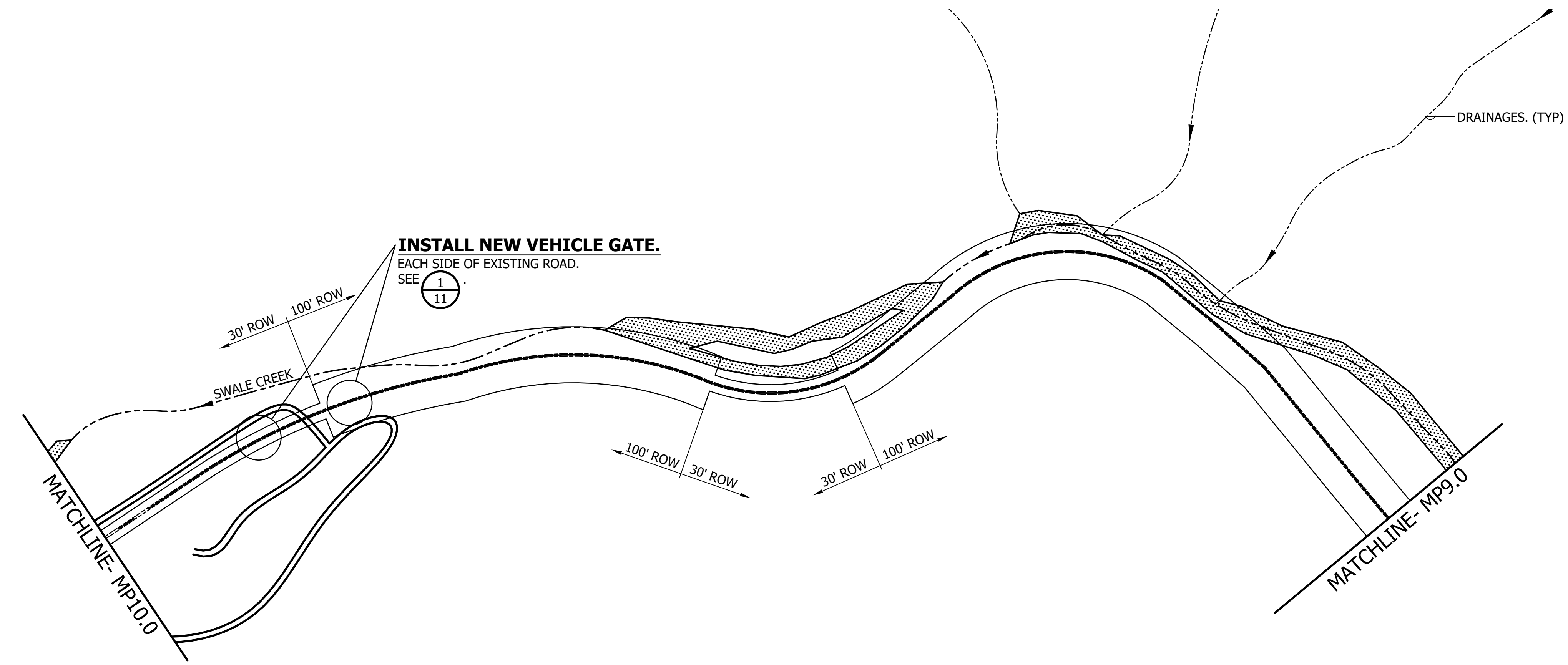
SCALE
AS SHOWN

PARKS FILE#

Plotted: Oct 14, 2023 - 21:45 ErikM B:\22Files\A22158.00 WA Parks - Klickitat Trail\Drawings\02 Trail Work Sites.dwg Layout Name: 7 Trail Work Sites E



KLICKITAT TRAIL MILE 8.0 - MILE 9.0



KLICKITAT TRAIL MILE 9.0 - MILE 10.0

SHEET 7 OF 22
PROGRESS SKETCH

CAD NO.		DATE
		APP.
		INT.
		REVISIONS
		NO.

ACTION	BY	DATE
DESIGNED	ECM	10/14/2023
DRAWN	OGC	10/14/2023
CHECKED	ECM	10/14/2023
CHECKED (HDQTS.)		

10/14/2023

SARGENT
SARGENT ENGINEERS, INC.
320 Ronlee Lane NW • Olympia, WA 98502
Tel. 360 867-9284 • Fax 360 867-9318
SEI Pr. No. - A22158.00
PROJECT ENGINEER

WASHINGTON
STATE
PARKS
AND
RECREATION
COMMISSION

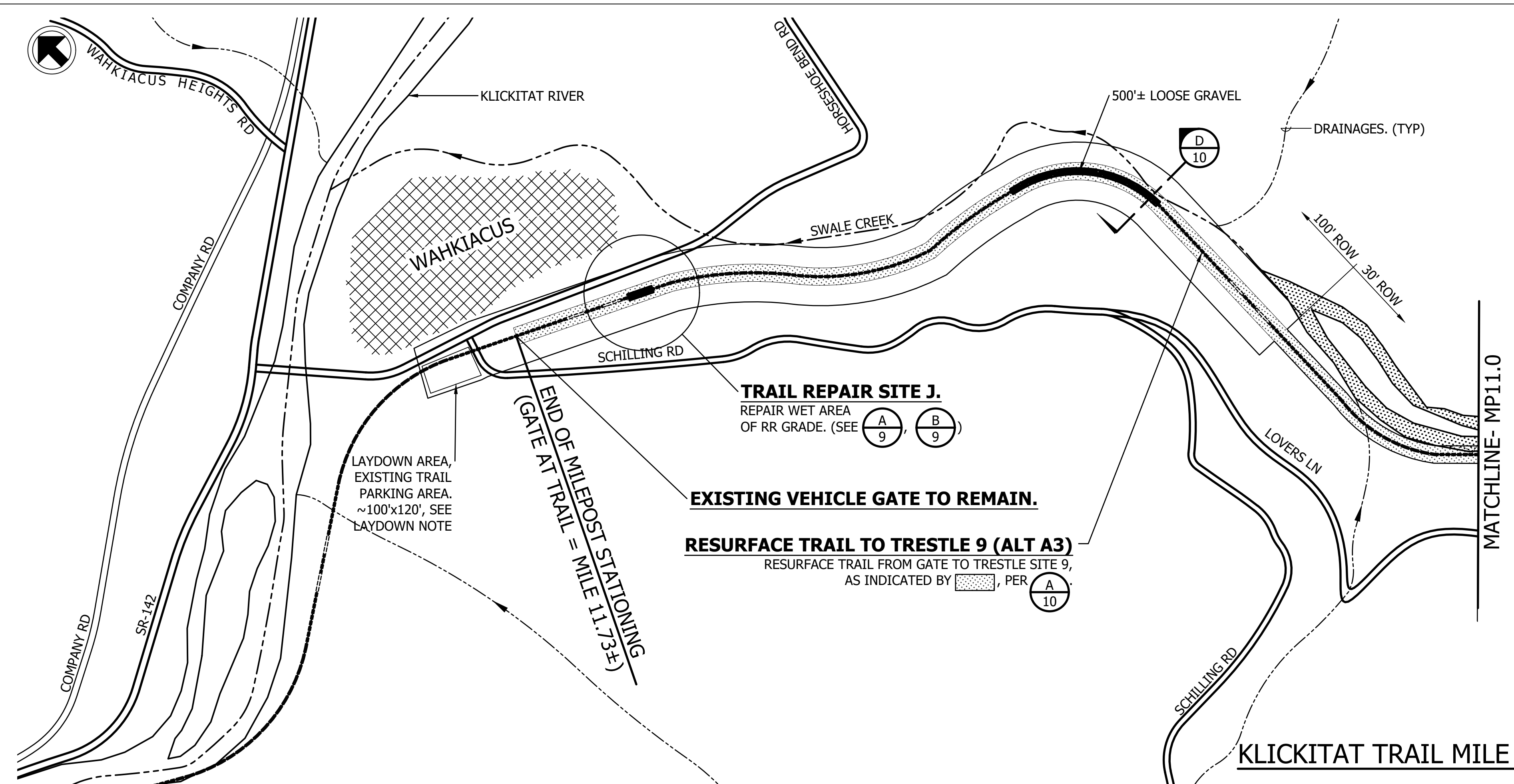
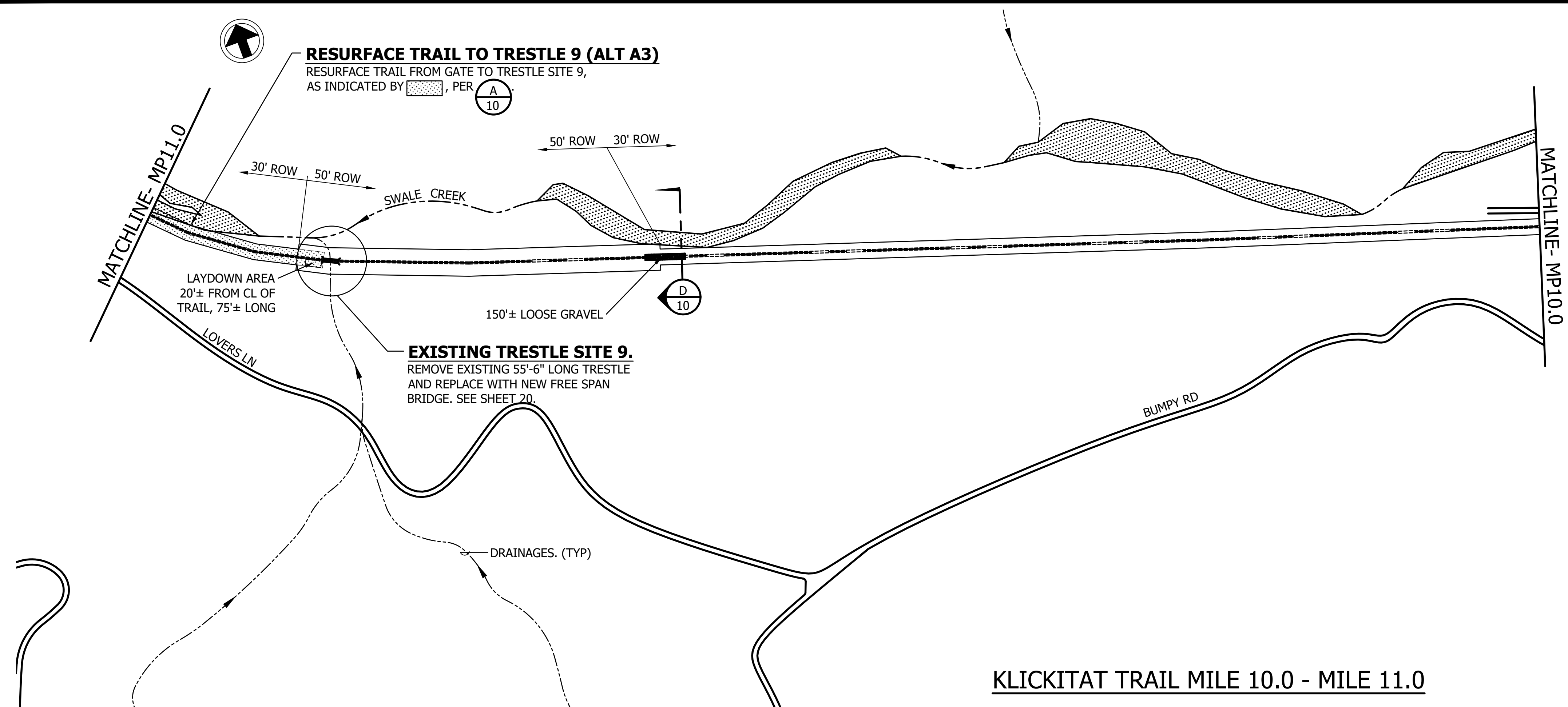
KLICKITAT STATE
PARK TRAIL
SWALE CANYON
TRAIL
IMPROVEMENTS

MILE 8.0 - 10.0
WORK SITES

SCALE
AS SHOWN

PARKS FILE#

Plotted: Oct 14, 2023 - 21:45 ErikM B:\22Files\A22158.00 WA Parks - Klickitat Trail\Drawings\02 Trail Work Sites.dwg Layout Name: 8 Trail Work Sites F



WAHKIACUS LAYDOWN NOTE:

1. CONTRACTOR MAY USE EXISTING GRAVEL LOT ON THE NORTH SIDE OF SCHILLING ROAD AS LAYDOWN AREA. IF USED, THE CONTRACTOR SHALL PLACE 6-INCHES OF CRUSHED ROCK ON TOP OF EXISTING GRAVEL FOR ALL AREAS TO BE USED AS LAYDOWN.

CAD NO.

	DATE
	APP.
	INT.
	REVISIONS
	NO.

ACTION	BY	DATE
DESIGNED	ECM	10/14/2023
DRAWN	OGC	10/14/2023
CHECKED	ECM	10/14/2023
CHECKED (HDQTS.)		

10/14/2023

SARGENT
SARGENT ENGINEERS, INC.
320 Ronlee Lane NW • Olympia, WA 98502
Tel. 360 867-9284 • Fax 360 867-9318
SEI Pr. No. - A22158.00
PROJECT ENGINEER

WASHINGTON STATE PARKS AND RECREATION COMMISSION

KLICKITAT STATE PARK TRAIL

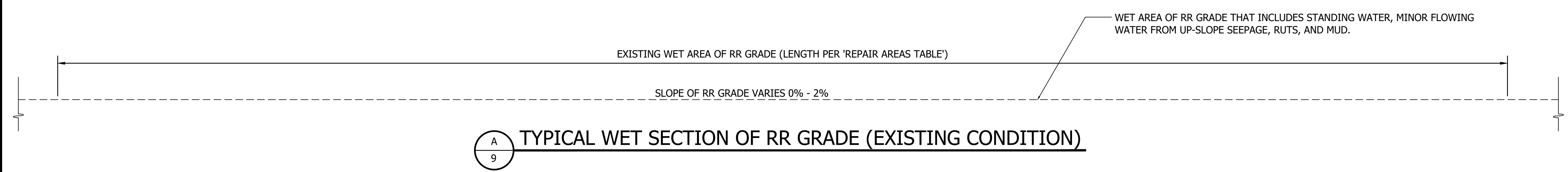
SWALE CANYON TRAIL IMPROVEMENTS

MILE 10.0 - 11.73 WORK SITES

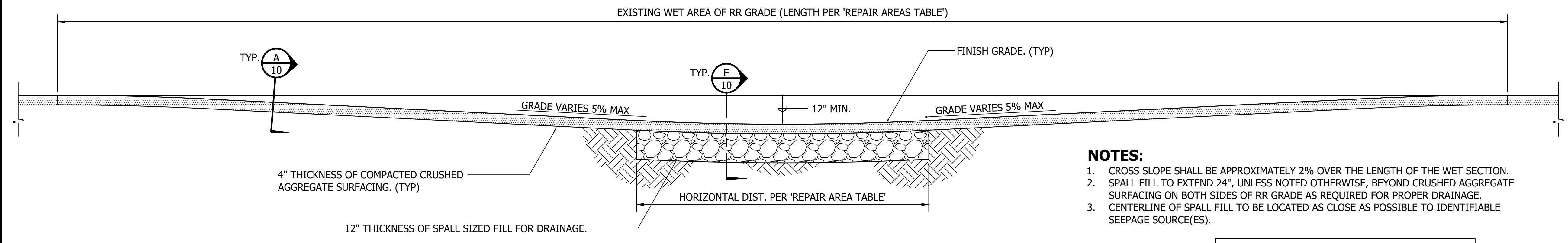
SCALE
NOT TO SCALE

PARKS FILE#

Plotted: Oct 14, 2023 - 21:45 ErikM C:\Temp\AutoCAD Temp Crop\AcPublish_6412\03 Repair Details.dwg Layout Name: 9 RR Grade Repair Profiles



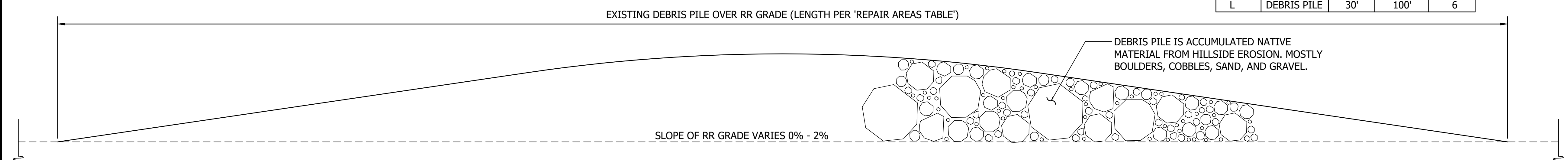
A
9 TYPICAL WET SECTION OF RR GRADE (EXISTING CONDITION)



B
9 TYPICAL WET SECTION OF RR GRADE (REPAIRED SECTION)

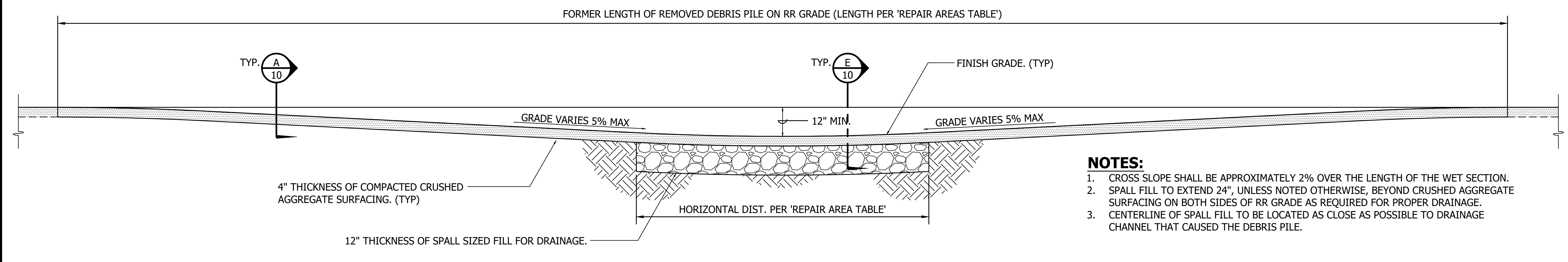
- NOTES:**
- CROSS SLOPE SHALL BE APPROXIMATELY 2% OVER THE LENGTH OF THE WET SECTION.
 - SPALL FILL TO EXTEND 24", UNLESS NOTED OTHERWISE, BEYOND CRUSHED AGGREGATE SURFACING ON BOTH SIDES OF RR GRADE AS REQUIRED FOR PROPER DRAINAGE.
 - CENTERLINE OF SPALL FILL TO BE LOCATED AS CLOSE AS POSSIBLE TO IDENTIFIABLE SEEPAGE SOURCE(S).

REPAIR AREAS TABLE				
REPAIR SITE	REPAIR TYPE	HORIZ. DIST.	LENGTH	SHT.
A	DEBRIS PILE	30'	70'	7
B	WET AREA	10'	200'	7
C	DEBRIS PILE	35'	80'	7
D	WET AREA	200'	300'	6
E	WET AREA	30'	150'	5
F	WET AREA	30'	100'	4
G	WET AREA	25'	100'	3
H	WET AREA	20'	90'	3
J	WET AREA	30'	90'	3
K	DEBRIS PILE	30'	100'	4
L	DEBRIS PILE	30'	100'	6



C
9 TYPICAL RR SECTION AT DEBRIS PILES (EXISTING CONDITION)

- NOTES:**
- EXCAVATE, LOAD, AND TRANSPORT DEBRIS TO ACCEPTABLE AREAS ALONG THE RR GRAD
 - DEPOSIT AND GRADE DEBRIS TO BLEND INTO THE SURROUNDINGS.
 - RE-ALIGN RR GRADE TO ORIGINAL HORIZONTAL LOCATION.
 - FINISHED SECTION TO BE AS SHOWN BELOW.



D
9 TYPICAL RR SECTION AT DEBRIS PILES (REVISED SECTION)

- NOTES:**
- CROSS SLOPE SHALL BE APPROXIMATELY 2% OVER THE LENGTH OF THE WET SECTION.
 - SPALL FILL TO EXTEND 24", UNLESS NOTED OTHERWISE, BEYOND CRUSHED AGGREGATE SURFACING ON BOTH SIDES OF RR GRADE AS REQUIRED FOR PROPER DRAINAGE.
 - CENTERLINE OF SPALL FILL TO BE LOCATED AS CLOSE AS POSSIBLE TO DRAINAGE CHANNEL THAT CAUSED THE DEBRIS PILE.

CAD NO.		DATE
		APP.
		INT.
		REVISIONS
		NO.
ACTION	BY	DATE
DESIGNED	ECM	10/14/2023
DRAWN	QGC	10/14/2023
CHECKED	ECM	10/14/2023
CHECKED (HDQTS.)		

SARGENT
SARGENT ENGINEERS, INC.
320 Ronlee Lane NW • Olympia, WA 98502
Tel. 360 867-9284 • Fax 360 867-9318
SEI Pr. No. - A22158.00
PROJECT ENGINEER

WASHINGTON STATE PARKS AND RECREATION COMMISSION

KLICKITAT STATE PARK TRAIL

SWALE CANYON TRAIL IMPROVEMENTS

RR GRADE REPAIR PROFILES

SCALE 2'
0 4'

PARKS FILE#

CAD NO.	
DATE	
APP.	
INT.	
REVISIONS	
NO.	

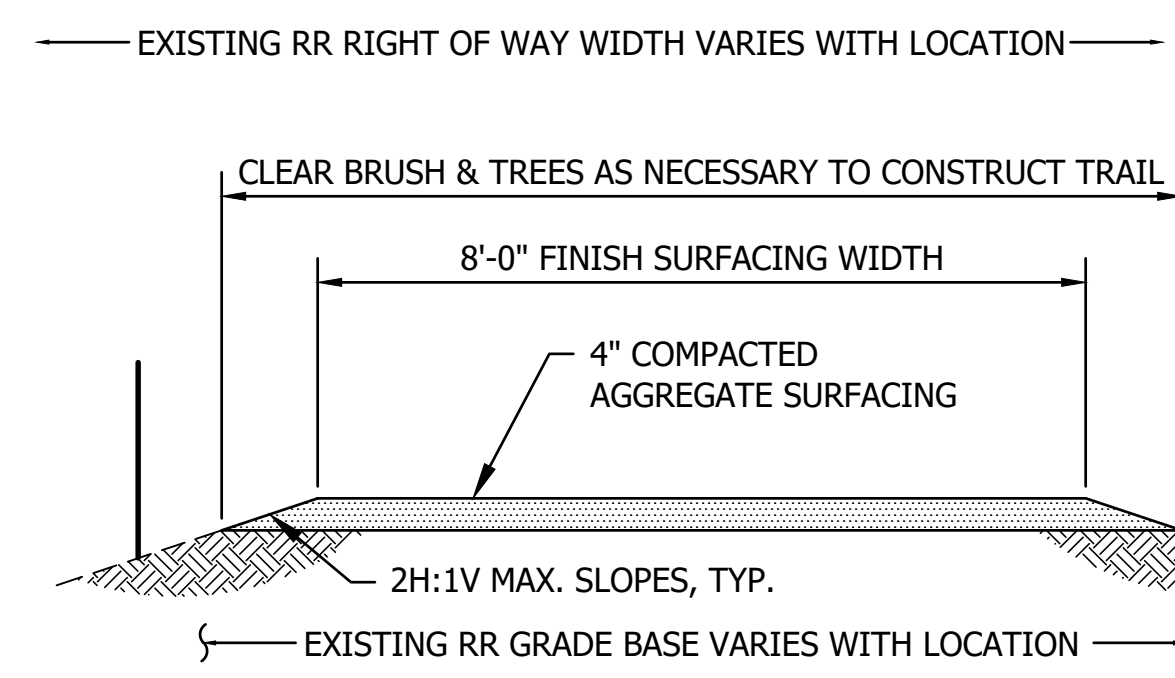
ACTION	BY	DATE
DESIGNED	ECM	10/14/2023
DRAWN	OGC	10/14/2023
CHECKED	ECM	10/14/2023
CHECKED (HDQTS.)		

SARGENT
SARGENT ENGINEERS, INC.
320 Ronlee Lane NW • Olympia, WA 98502
Tel. 360 867-9284 • Fax 360 867-9318
SEI Pr. No. - A22158.00
PROJECT ENGINEER

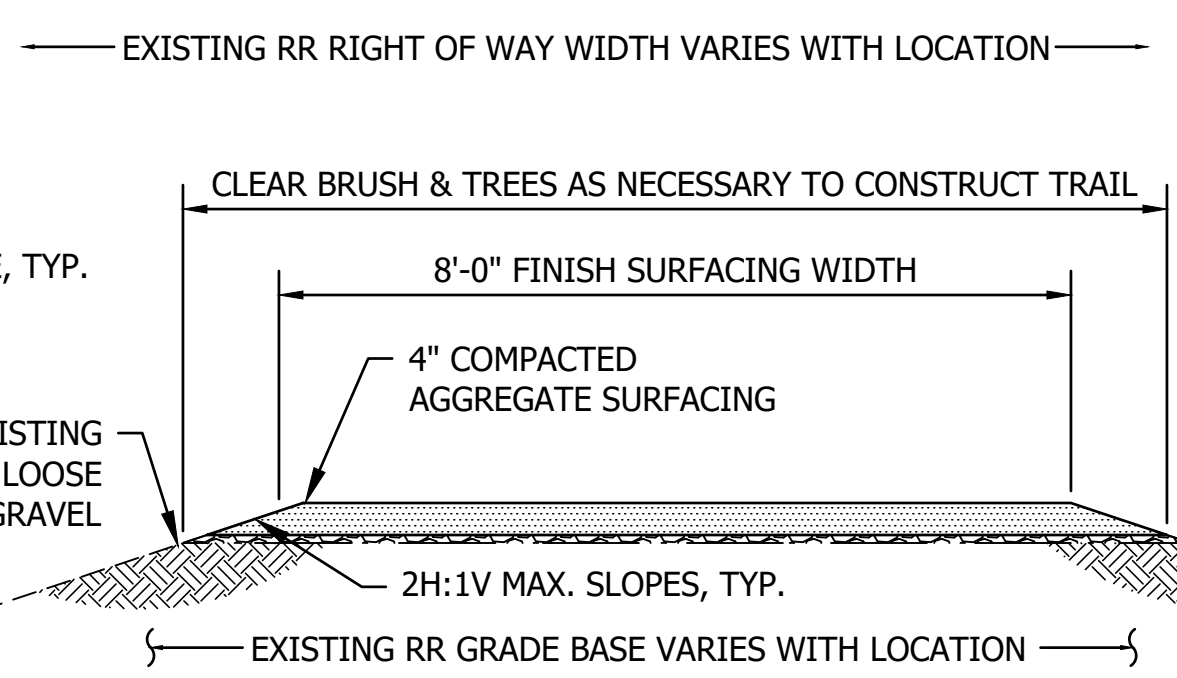
WASHINGTON STATE PARKS AND RECREATION COMMISSION

KLICKITAT STATE PARK TRAIL
SWALE CANYON TRAIL IMPROVEMENTS

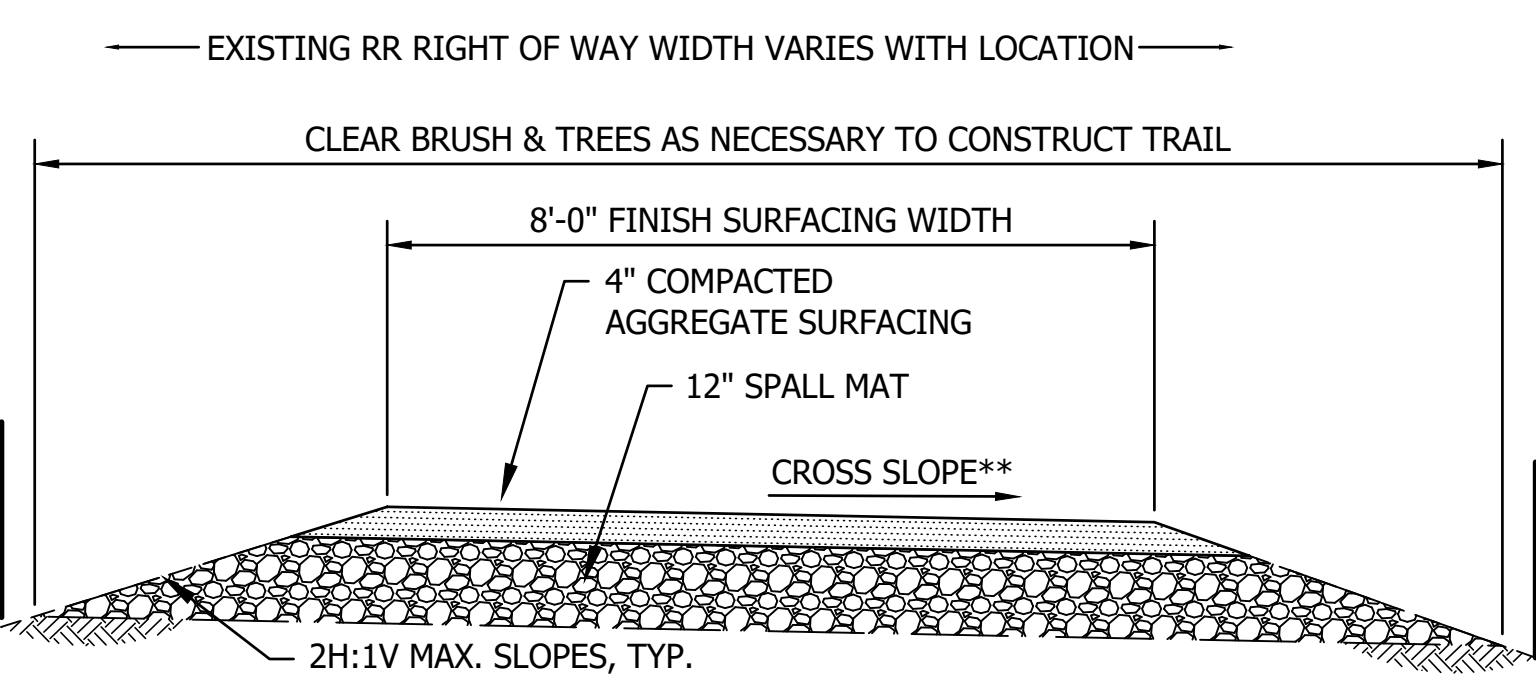
TYPICAL TRAIL SECTIONS AND WASHOUT REPAIR
SCALE AS SHOWN
PARKS FILE#



A TYPICAL RR GRADE SURFACING SECTION
10 (SCALE)
0' 2' 4'



D RR GRADE LOOSE GRAVEL RESURFACE SECTION
10 (SCALE)
0' 2' 4'



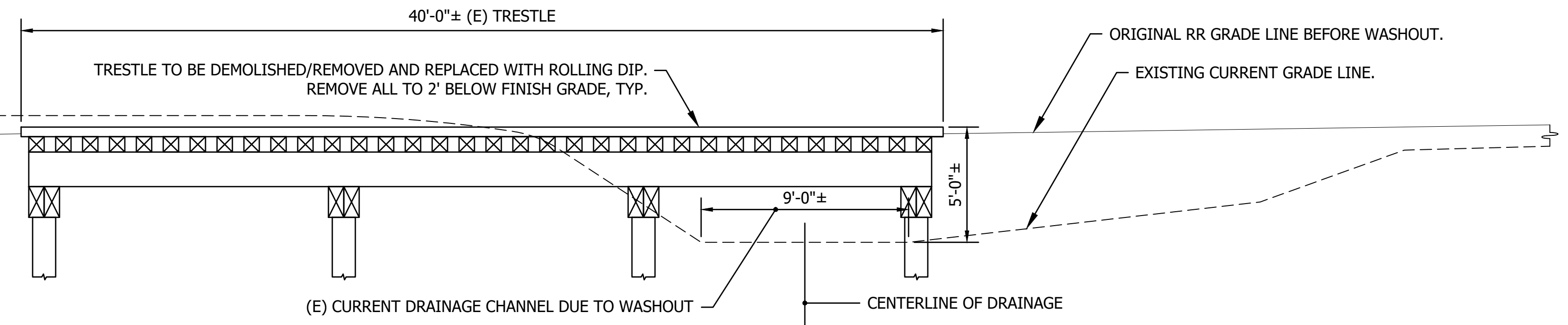
E TYPICAL WET SECTION REPAIR
10 (SCALE)
0' 2' 4'

** SLOPE PER PLAN TOWARD SWALE CREEK, TYP.

T.E.S.C. NOTES & LEGEND:

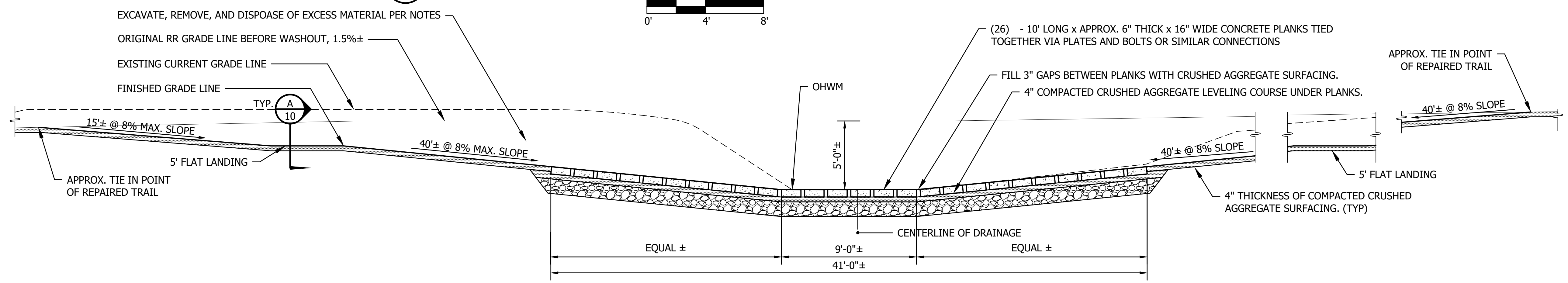
- T.E.S.C. MEASURES SHOWN ARE THE MINIMUM ALLOWED.
- CONTRACTOR IS RESPONSIBLE FOR DESIGNING, ESTABLISHING, MAINTAINING, ADJUSTING, AND REMOVING TEMPORARY EROSION CONTROL MEASURE AS REQUIRED FOR NEW CONSTRUCTION. SUBMIT TESC PLAN TO ENGINEER FOR REVIEW AND WRITTEN APPROVAL PRIOR TO PROCEEDING WITH ANY WORK.
- CONTRACTOR SHALL VISIT THE SITE TO DETERMINE THE WORK NECESSARY TO COMPLETE CONSTRUCTION UNDER THIS CONTRACT AS SHOWN AND SPECIFIED ON THESE PLANS AND IN THE PROJECT SPECIFICATIONS.
- SILT FENCE PER WSDOT STD PLAN I-30.15-02 SHALL BE INSTALLED DOWNHILL OF ALL GRADING OPERATIONS.

ACCRETION OF SOIL MATERIAL FROM WASHOUT. (MOSTLY BOULDERS, COBBLES, SAND, GRAVEL)



B WASHOUT SECTION OF RR GRADE AT TRESTLE (EXISTING SECTION)
10 (SCALE)
0' 4' 8'

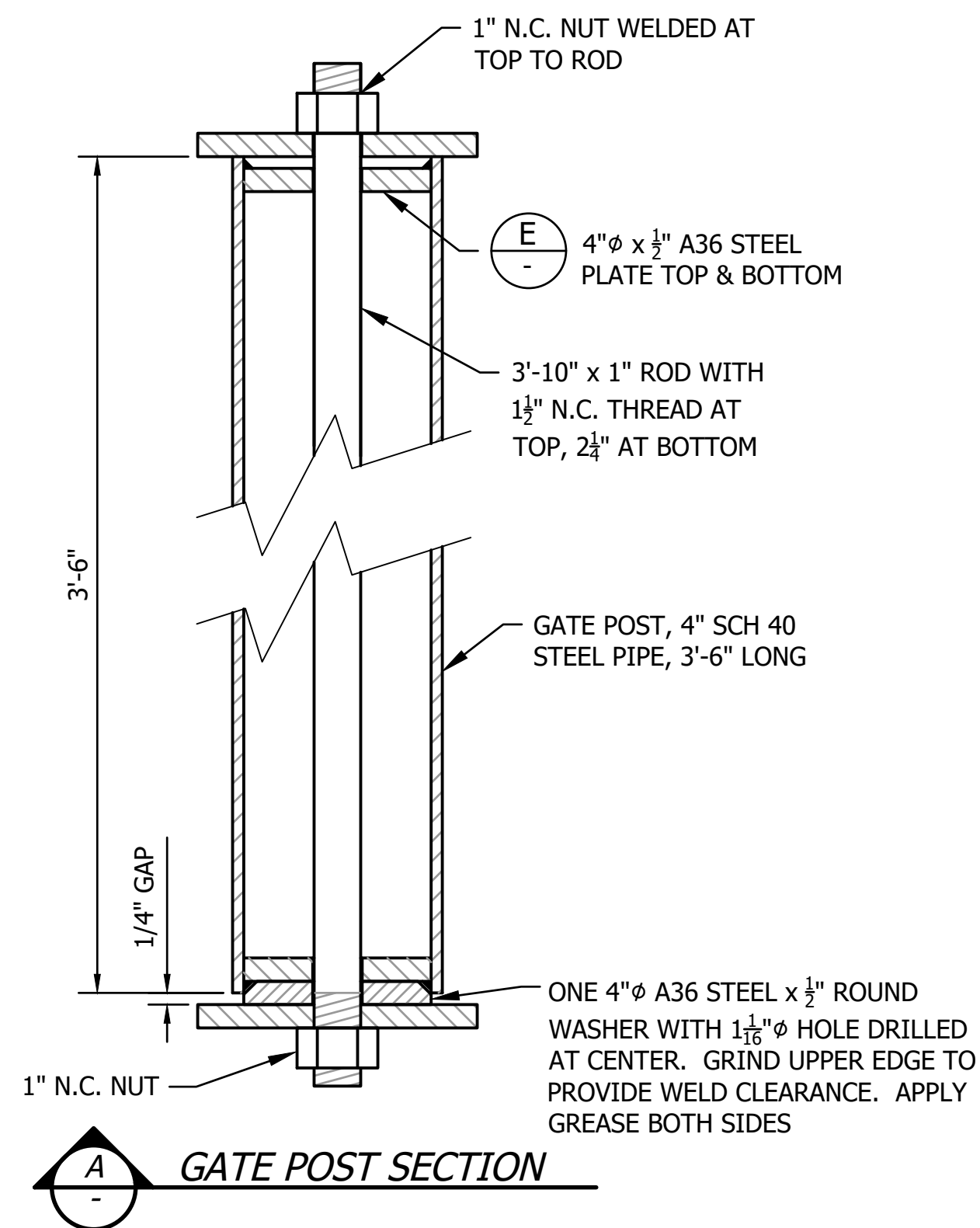
- NOTES:**
- RE-ESTABLISH DRAINAGE CHANNEL TO CENTERLINE OF DRAINAGE NOTED.
 - EXCAVATE, LOAD, AND TRANSPORT WASHOUT MATERIAL TO ACCEPTABLE AREAS ALONG THE RR GRADE (TYPICALLY STREAM SIDE OF TRAIL).
 - EXCAVATION EXTENDS TO ACCRETIONS UP THE DRAINAGE CHANNEL AS REQUIRED TO PROPERLY AND GENTLY BLEND INTO THE RE-SLOPED RR GRADE SHOWN.
 - DEPOSIT AND GRADE DEBRIS TO BLEND INTO THE SURROUNDINGS.
 - RE-ALIGN RR GRADE TO ORIGINAL RR GRADE & CENTERLINE ALIGNMENT.
 - FINISHED SECTION TO BE AS SHOWN BELOW.
 - 10% MAX SLOPE WITH NO MORE THAN 30' WITHOUT A 5' FLAT LANDING.



C WASHOUT SECTION OF RR GRADE AT TRESTLE (REVISED SECTION)
10 (SCALE)
0' 4' 8'

Plotted: Oct 14, 2023 - 21:45 ErikM C:\Temp\AutoCAD Temp Crop\AcPublish_6412\03 Repair Details.dwg Layout Name: 10 Typical Trail Sections and Washout Repair

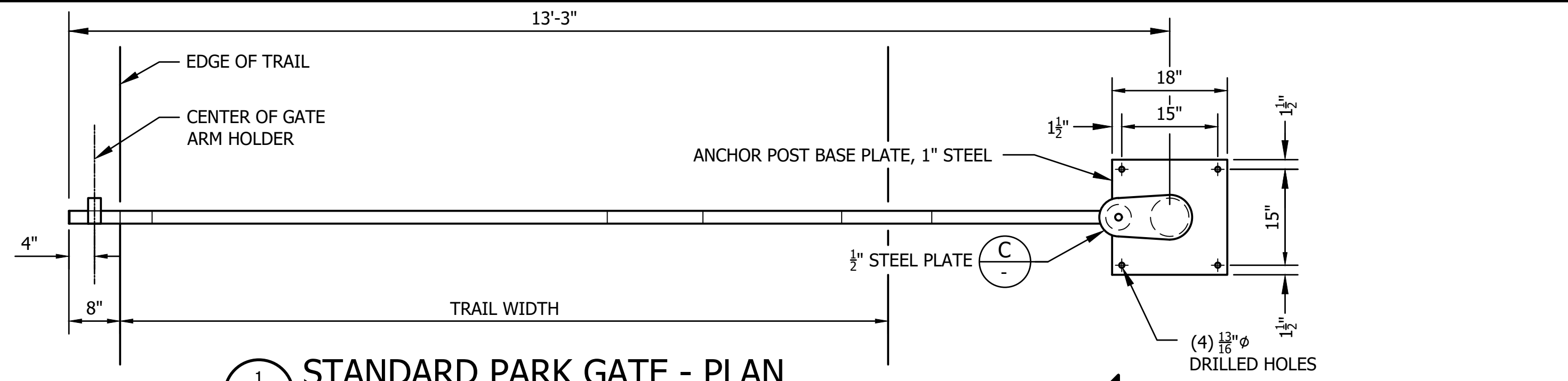
Plotted: Oct 14, 2023 - 21:45 ErikM C:\Temp\AutoCAD Temp Crop\AcPublish_6412\03 Repair Details.dwg Layout Name: 11 Vehicle Gate Details



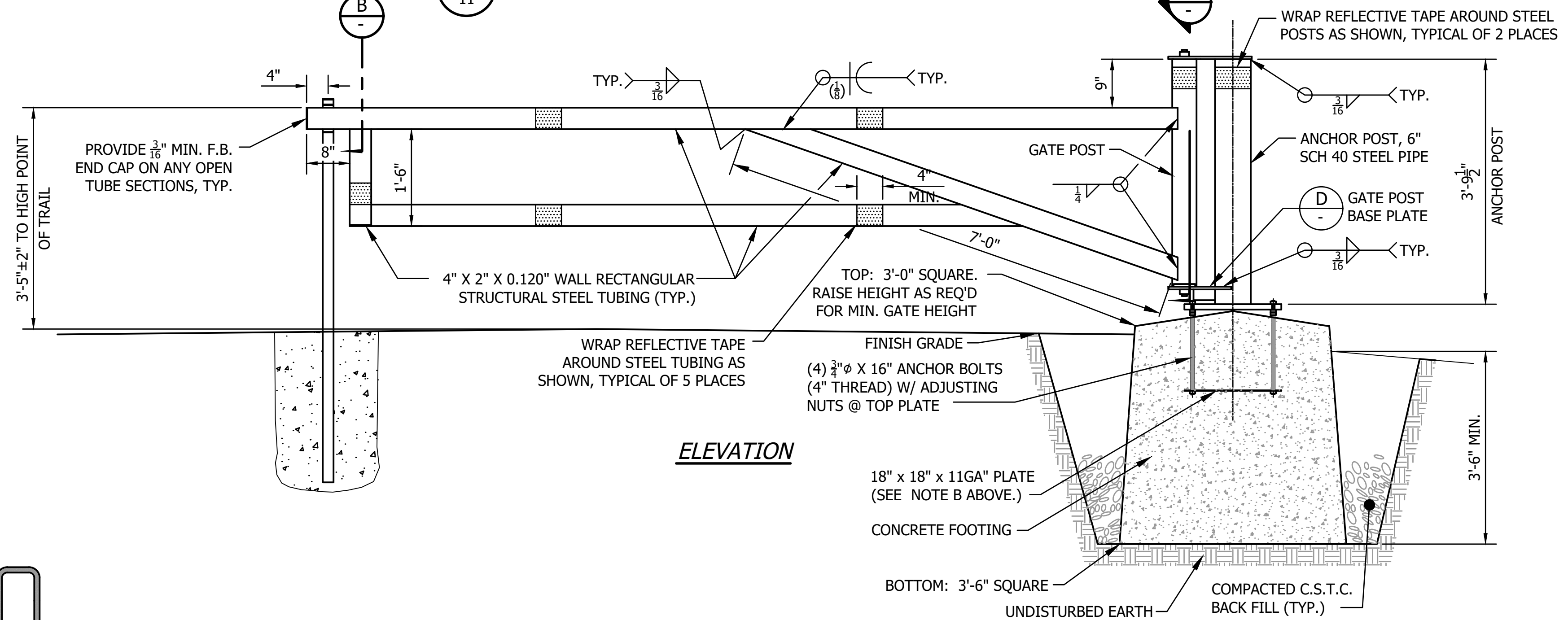
A GATE POST SECTION

GATE NOTES:
ALL STEEL TO BE WEATHERING STEEL, UNLESS NOTED OTHERWISE.

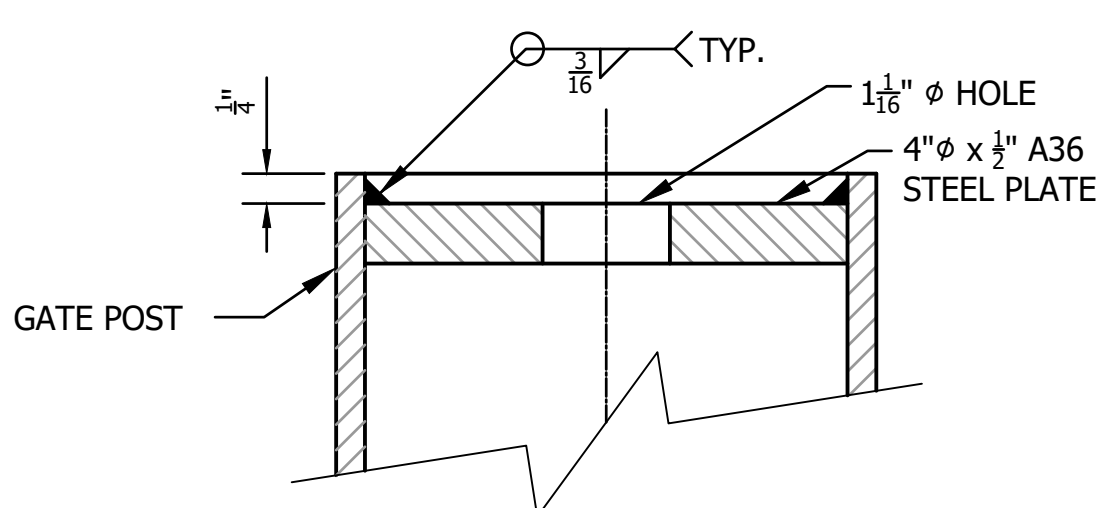
ALL GATES TO BE "TILT-INSTALLED" TO FORCE THE GATE TO SWING OPEN OR CLOSED.



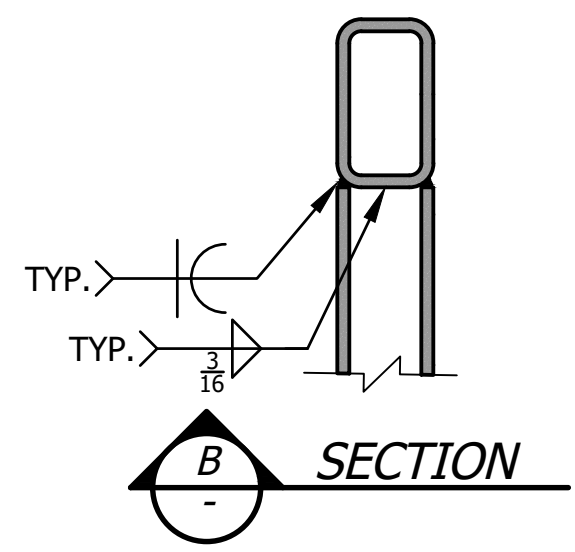
1 STANDARD PARK GATE - PLAN



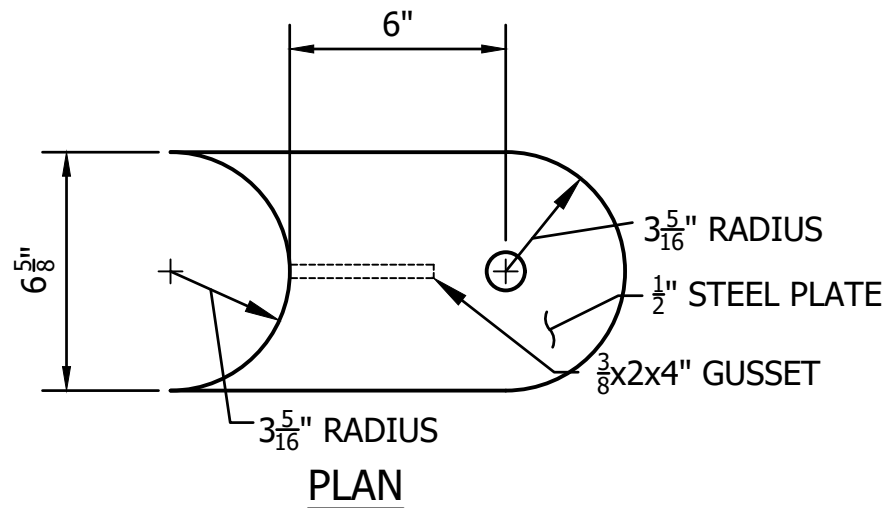
ELEVATION



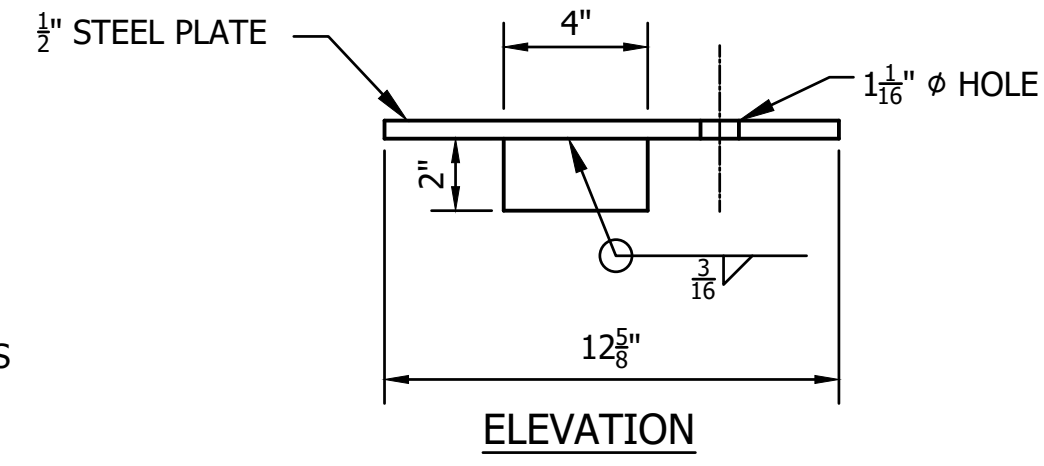
E GATE POST END DETAIL



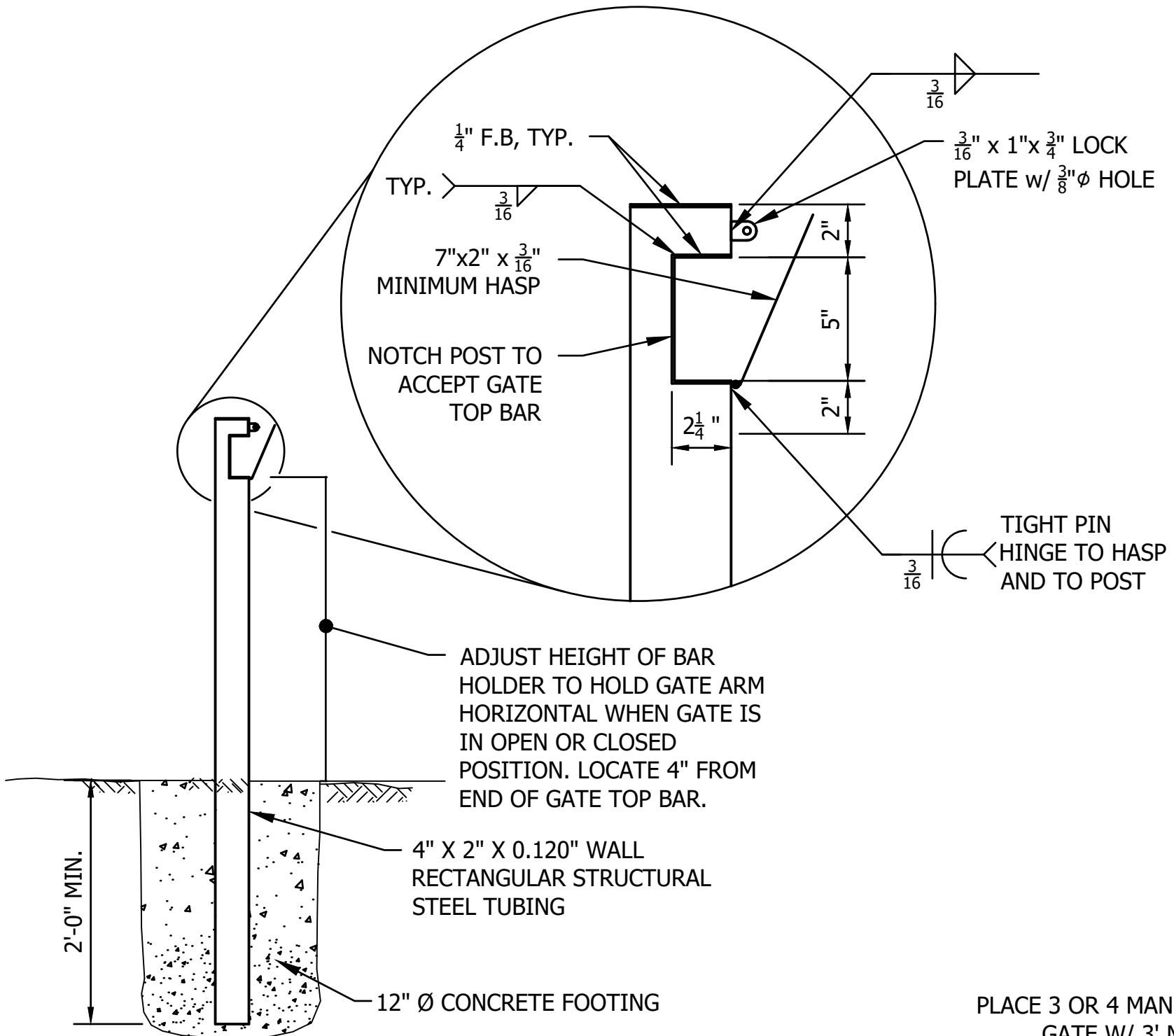
B SECTION



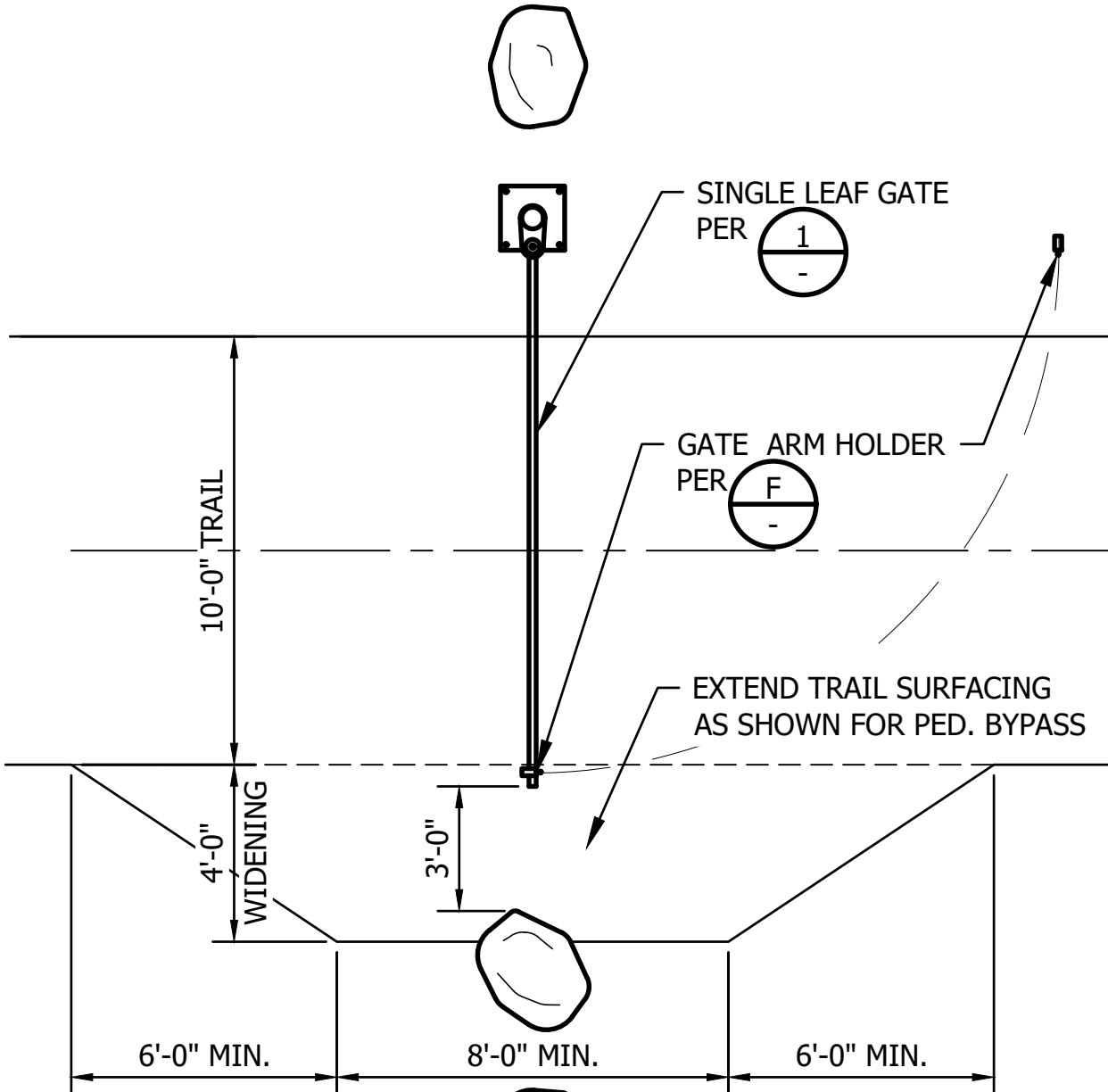
PLAN



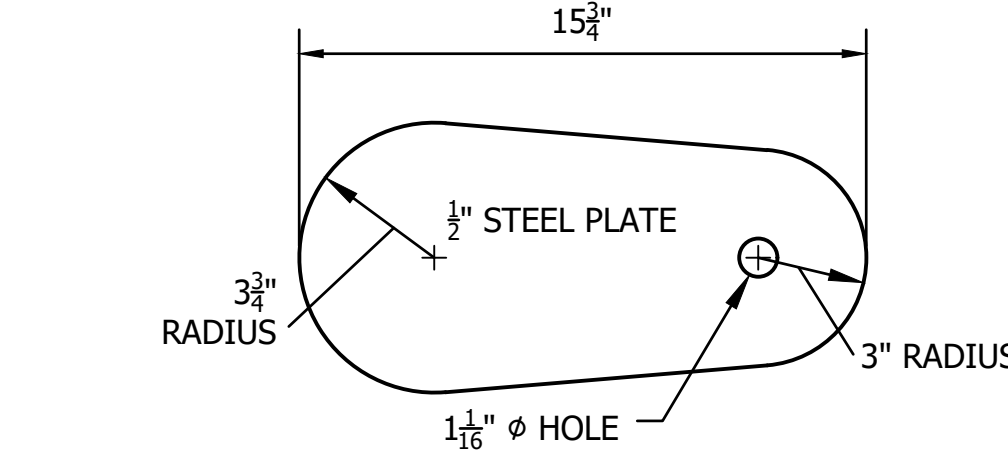
D GATE POST BASE PLATE



F GATE ARM HOLDER DETAIL
TYPICAL OF TWO (2) PER GATE



G TYP. GATE LAYOUT



C TOP PLATE PLAN

CAD NO.		DATE
		APP.
		INT.
		REVISIONS
		NO.

ACTION	BY	DATE
DESIGNED	ECM	10/14/2023
DRAWN	OGC	10/14/2023
CHECKED	ECM	10/14/2023
CHECKED (HDQTS.)		

10/14/2023

SARGENT
 SARGENT ENGINEERS, INC.
 320 Ronlee Lane NW • Olympia, WA 98502
 Tel. 360 867-9284 • Fax 360 867-9318
 SEI Pr. No. - A22158.00
 PROJECT ENGINEER

WASHINGTON STATE PARKS AND RECREATION COMMISSION

KLICKITAT STATE PARK TRAIL

SWALE CANYON TRAIL IMPROVEMENTS

VEHICLE GATE DETAILS

SCALE
NOT TO SCALE

PARKS FILE#

CAD NO.	
	DATE
	APP.
	INT.
REVISIONS	
	NO.

ACTION	BY	DATE
DESIGNED	ECM	10/14/2023
DRAWN	OGC	10/14/2023
CHECKED	ECM	10/14/2023
CHECKED (HDQTS.)		

SARGENT
SARGENT ENGINEERS, INC.
320 Ronlee Lane NW • Olympia, WA 98502
Tel. 360 867-9284 • Fax 360 867-9318
SEI Pr. No. - A22158.00
PROJECT ENGINEER

WASHINGTON
STATE
PARKS
AND
RECREATION
COMMISSION

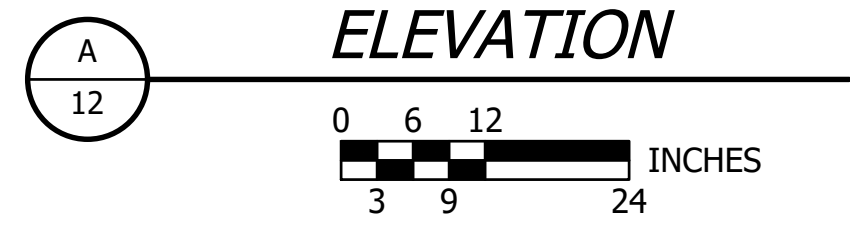
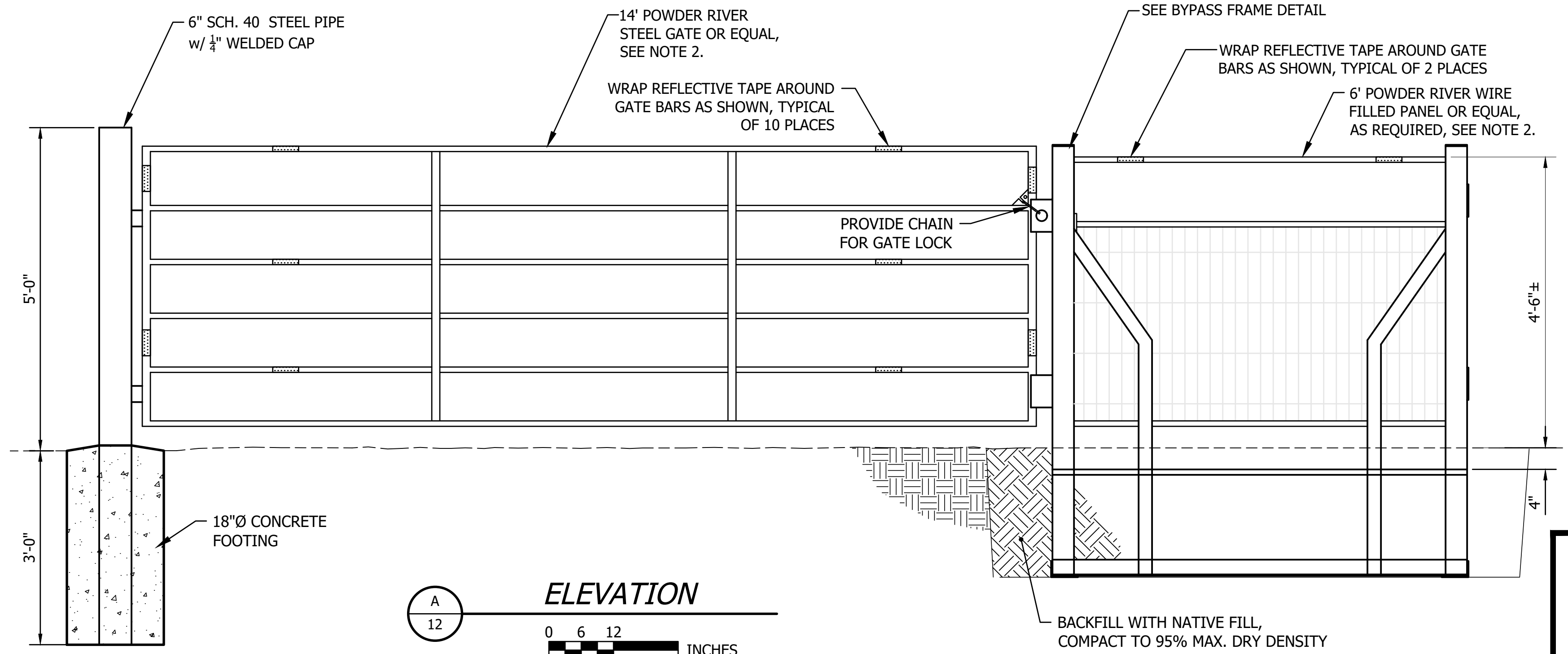
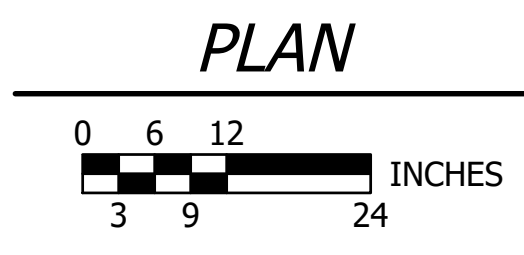
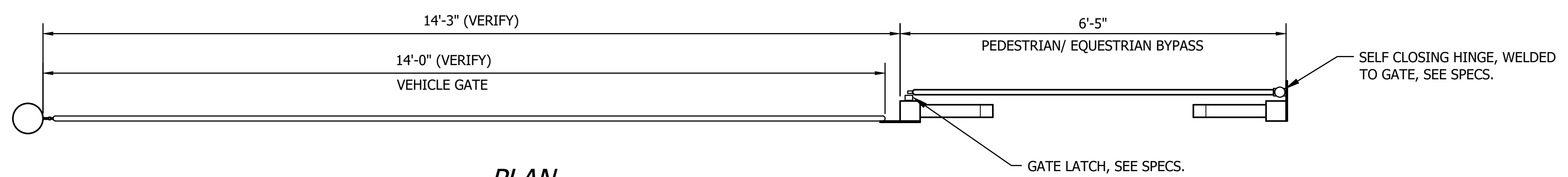
KLICKITAT STATE
PARK TRAIL

SWALE CANYON
TRAIL
IMPROVEMENTS

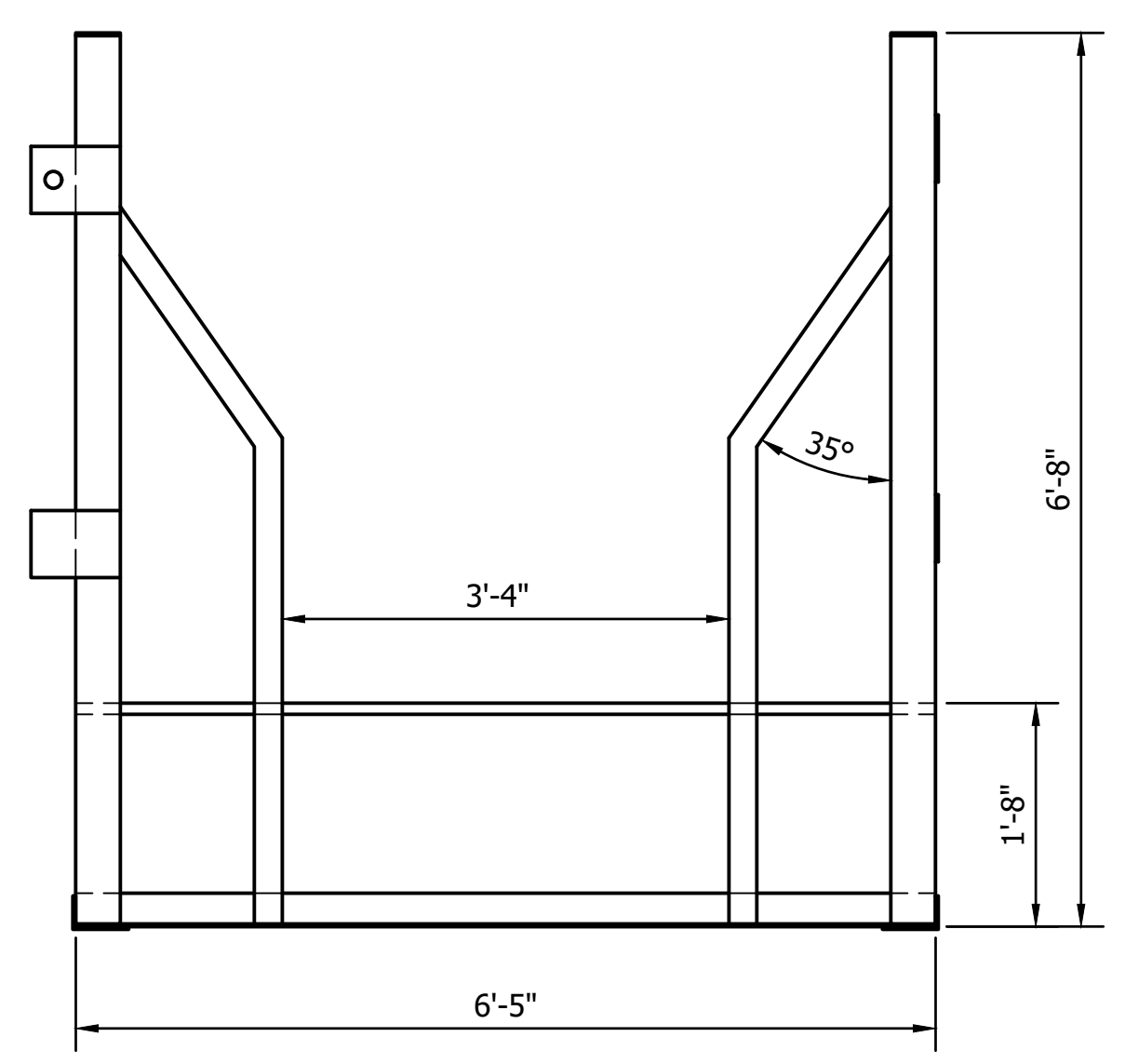
ALT A1
V-FRAME GATE
DETAILS

SCALE
AS SHOWN

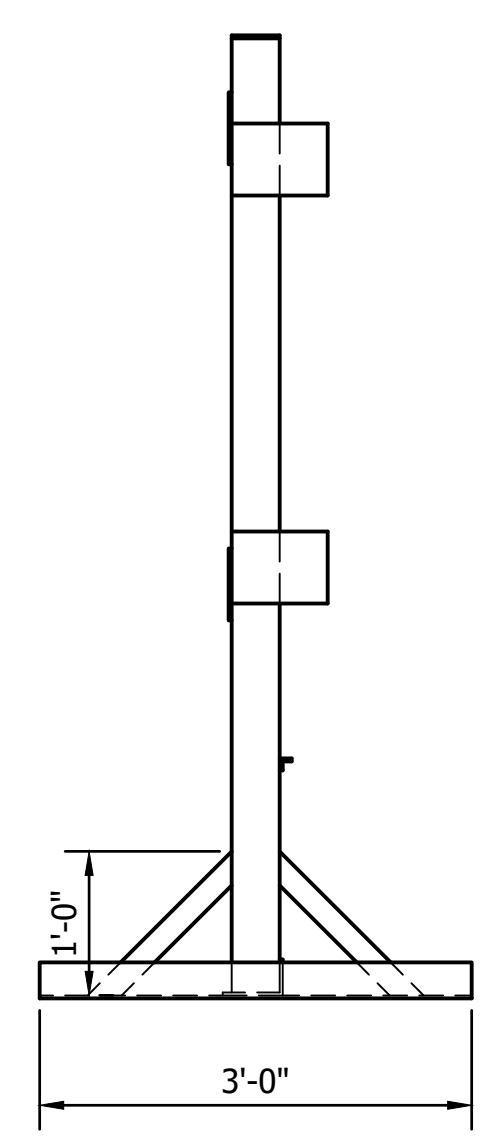
PARKS FILE#



- NOTES:**
- ALL WELDS SHALL BE $\frac{1}{4}$ " FILLETS UNLESS NOTED OTHERWISE. WELD CONTINUOUS ALL AROUND PARTS BEING JOINED.
 - HOT DIP GALVANIZE AFTER ASSEMBLY

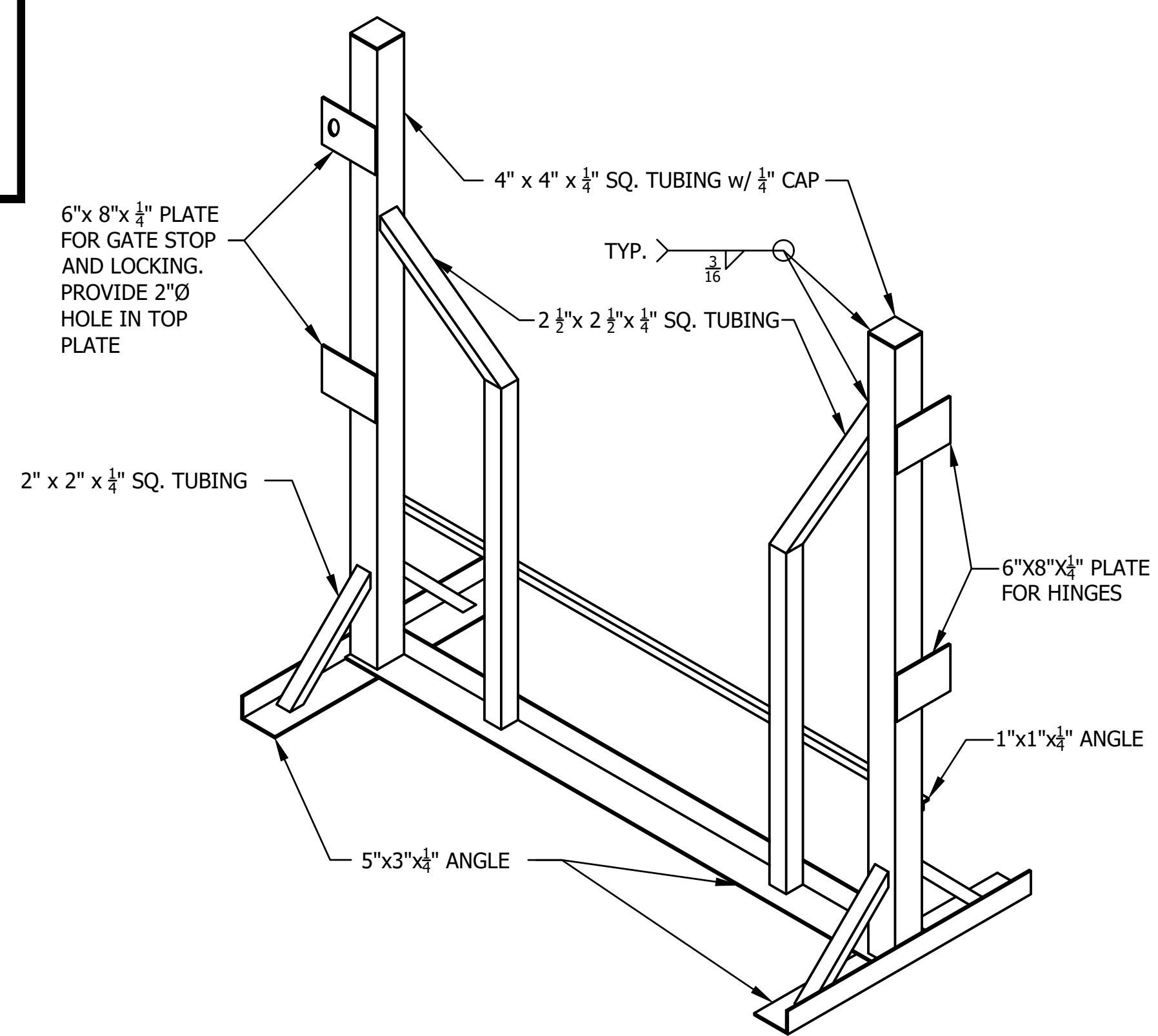


FRONT



SIDE

BYPASS FRAME DETAIL

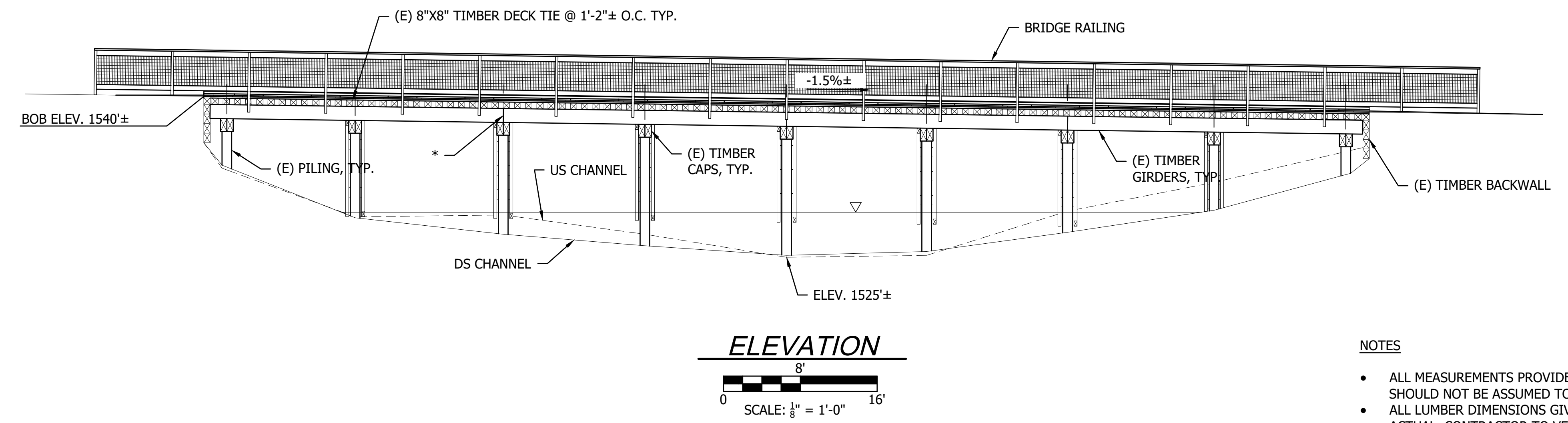
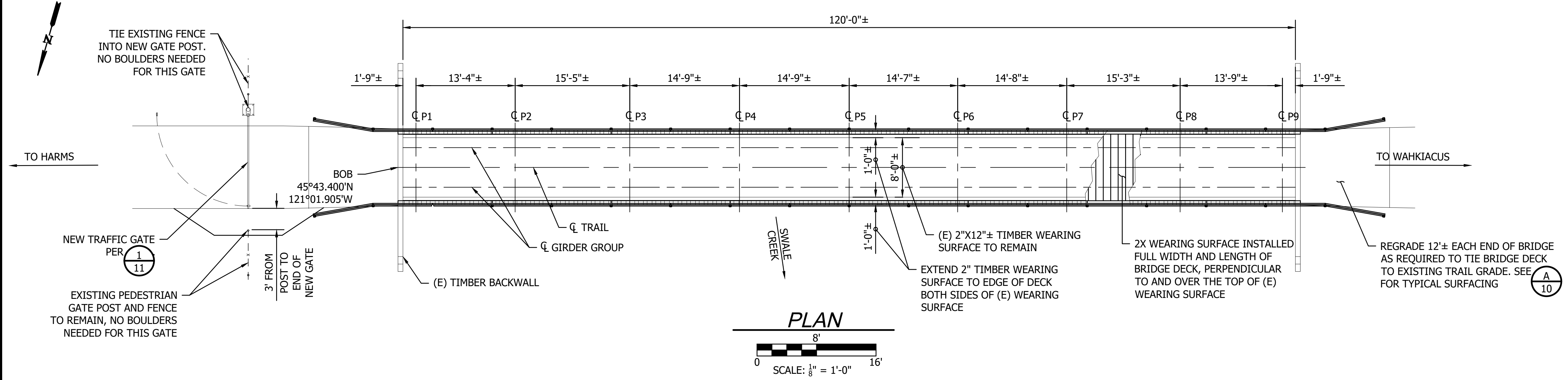


ISOMETRIC

SHEET 12 OF 22
PROGRESS SKETCH

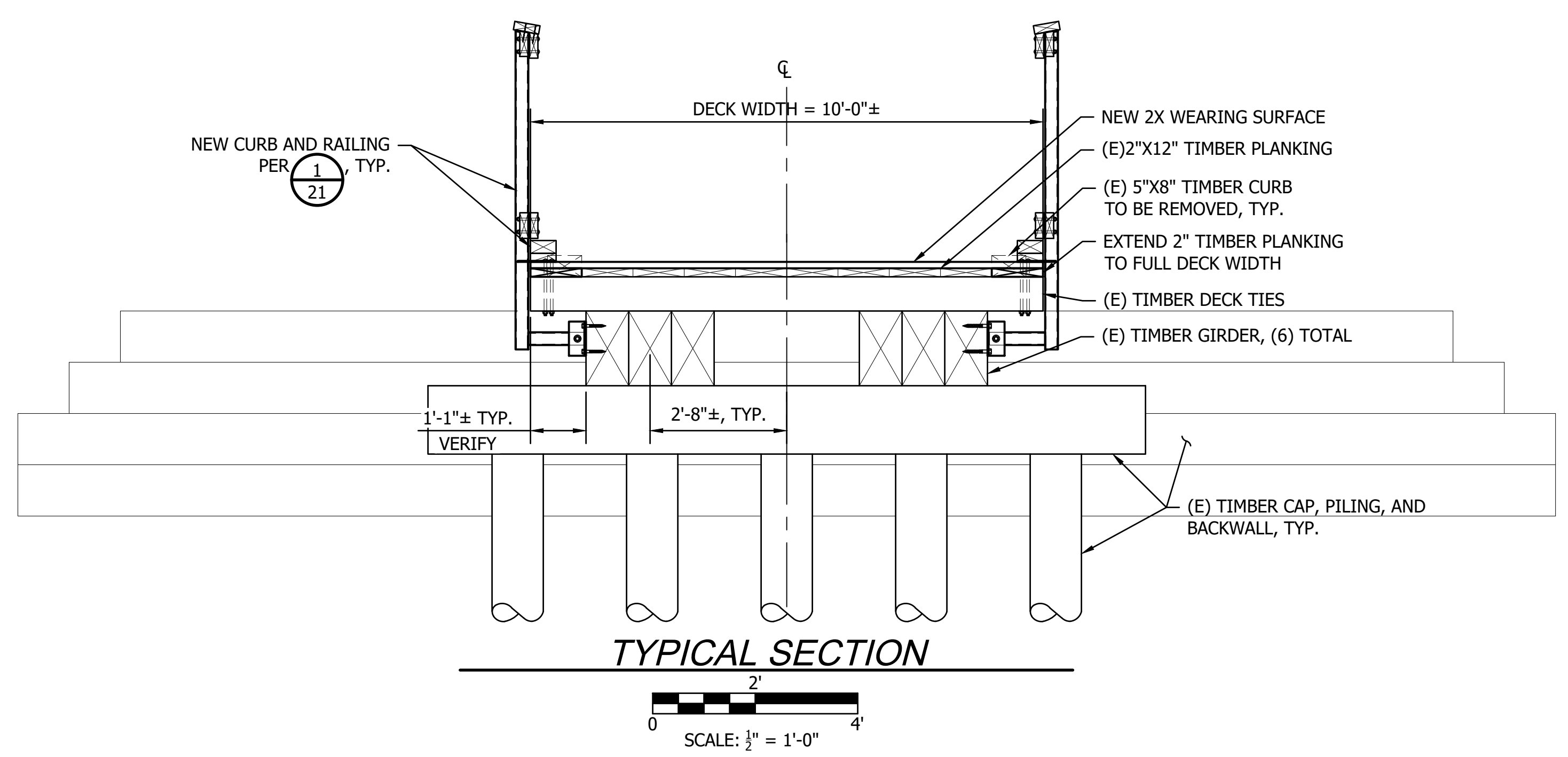
Plotted: Oct 14, 2023 - 21:45 ErikM C:\Temp\AutoCAD Temp Crop\AcPublish_6412\03 Repair Details.dwg Layout Name: 12 V-Frame Gate Details

Plotted: Oct 14, 2023 - 21:45 ErikM B:\22Files\22158.00 WA Parks - Klickitat Trail\Drawings\04 Trestle Redecking Plans.dwg Layout Name: 13 Trestle Redecking Plans - Trestle 1



- NOTES**
- ALL MEASUREMENTS PROVIDED HEREIN ARE APPROXIMATE AND SHOULD NOT BE ASSUMED TO REPLACE A PROFESSIONAL SURVEY.
 - ALL LUMBER DIMENSIONS GIVEN ARE NOMINAL UNLESS NOTED AS ACTUAL. CONTRACTOR TO VERIFY DIMENSIONS AS REQUIRED TO COMPLETE CONSTRUCTION.
 - SEE DETAIL 1 ON SHEET 22 FOR DECKING FASTENING REQUIREMENTS.

- LEGEND**
- * INDIVIDUAL GIRDER MEMBER LENGTHS VARY BETWEEN SINGLE AND 2-SPAN CONTINUOUS. THE MEMBER ENDS ARE STAGGERED AT ALL INTERIOR PIERS.



CAD NO.		DATE
		APP.
		INT.
		REVISIONS
		NO.
ACTION	BY	DATE
DESIGNED	ECM	10/14/2023
DRAWN	OGC	10/14/2023
CHECKED	ECM	10/14/2023
CHECKED (HDQTS.)		



10/14/2023
SARGENT
 SARGENT ENGINEERS, INC.
 320 Ronlee Lane NW • Olympia, WA 98502
 Tel. 360 867-9284 • Fax 360 867-9318
 SEI Pr. No. - A22158.00
 PROJECT ENGINEER

WASHINGTON STATE PARKS AND RECREATION COMMISSION



KLICKITAT STATE PARK TRAIL

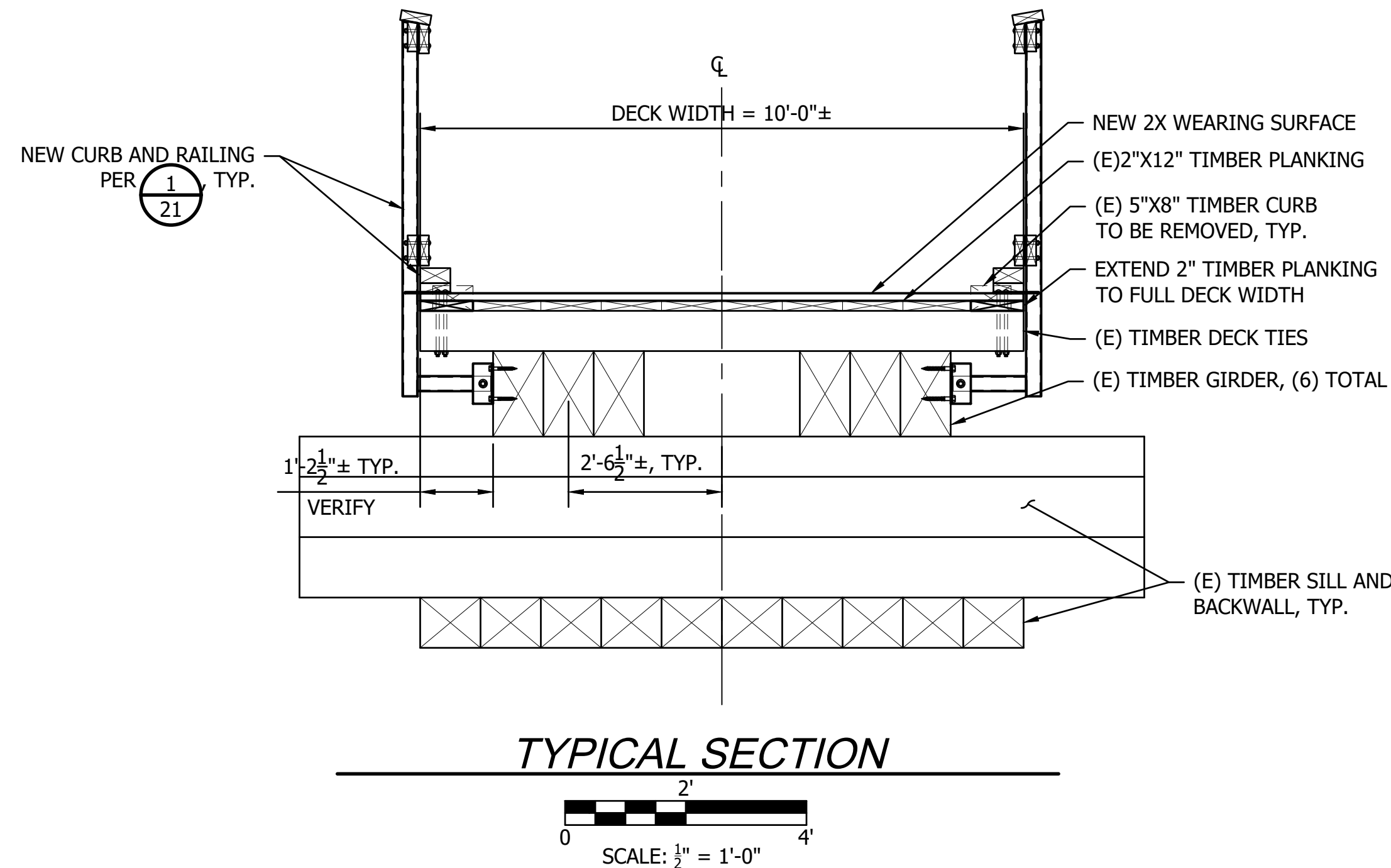
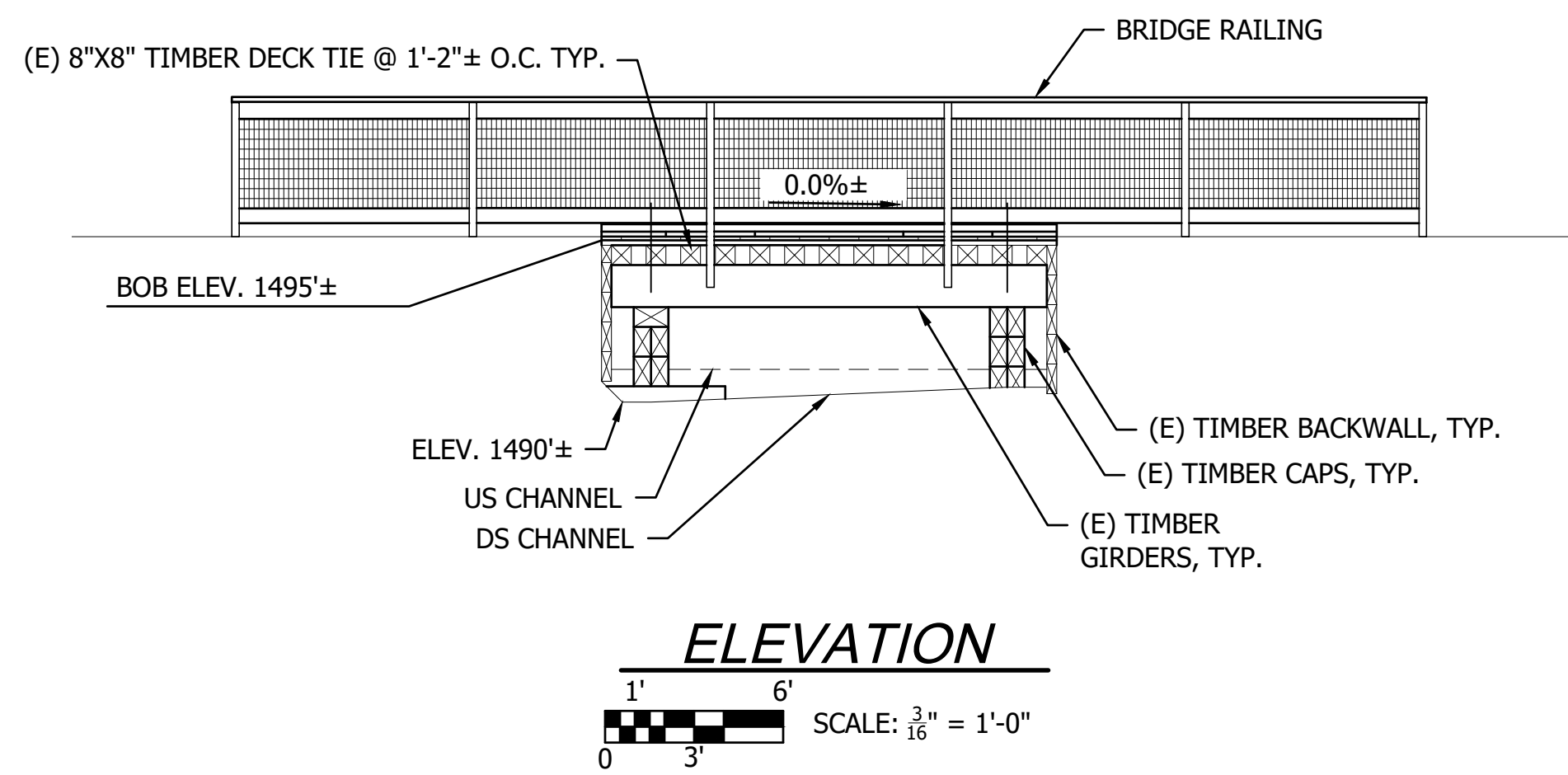
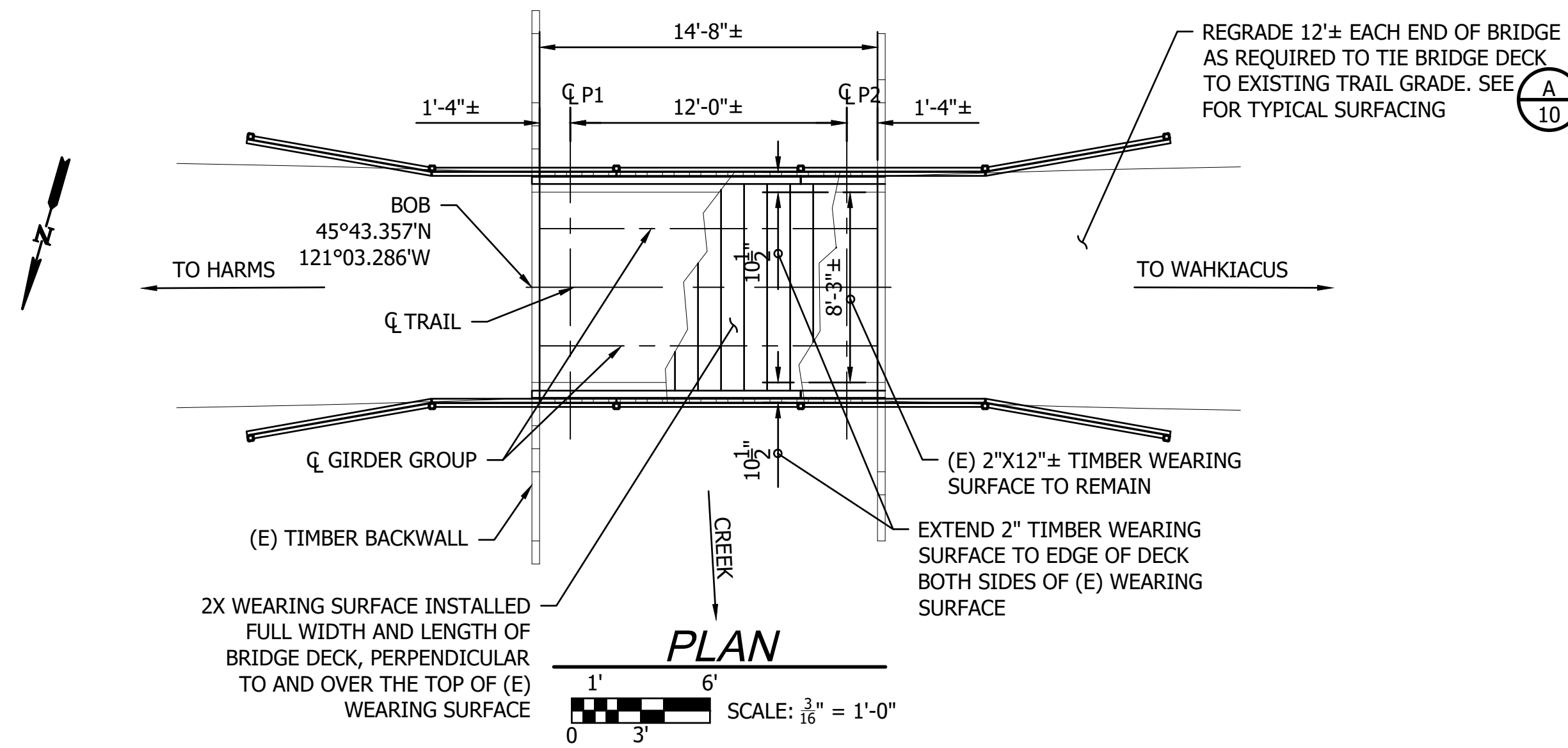
SWALE CANYON TRAIL IMPROVEMENTS

TRESTLE 1 - MP 0.0 PLAN, ELEVATION, & SECTION

SCALE: **AS SHOWN**

PARKS FILE#

Plotted: Oct 14, 2023 - 21:45 ErikM B:\22Files\22158.00 WA Parks - Klickitat Trail\Drawings\04 Trestle Redecking Plans.dwg Layout Name: 14 Trestle Redecking Plans - Trestle 2



NOTES

- ALL MEASUREMENTS PROVIDED HEREIN ARE APPROXIMATE AND SHOULD NOT BE ASSUMED TO REPLACE A PROFESSIONAL SURVEY.
- ALL LUMBER DIMENSIONS GIVEN ARE NOMINAL UNLESS NOTED AS ACTUAL. CONTRACTOR TO VERIFY DIMENSIONS AS REQUIRED TO COMPLETE CONSTRUCTION.
- SEE DETAIL 1 ON SHEET 22 FOR DECKING FASTENING REQUIREMENTS.

CAD NO.		DATE
		APP.
		INT.
		REVISIONS
		NO.
ACTION	BY	DATE
DESIGNED	ECM	10/14/2023
DRAWN	OGC	10/14/2023
CHECKED	ECM	10/14/2023
CHECKED (HDQTS.)		

SARGENT
SARGENT ENGINEERS, INC.
320 Ronlee Lane NW • Olympia, WA 98502
Tel. 360 867-9284 • Fax 360 867-9318
SEI Pr. No. - A22158.00
PROJECT ENGINEER

WASHINGTON
STATE
PARKS
AND
RECREATION
COMMISSION

KLICKITAT STATE
PARK TRAIL

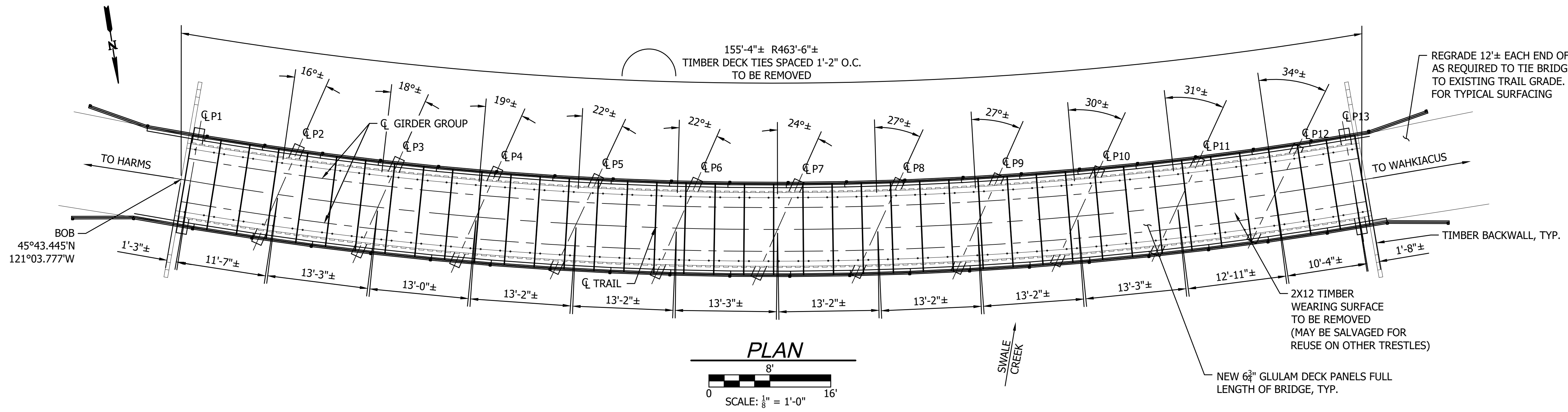
SWALE CANYON
TRAIL
IMPROVEMENTS

TRESTLE 2 - MP 1.3
PLAN, ELEVATION,
& SECTION

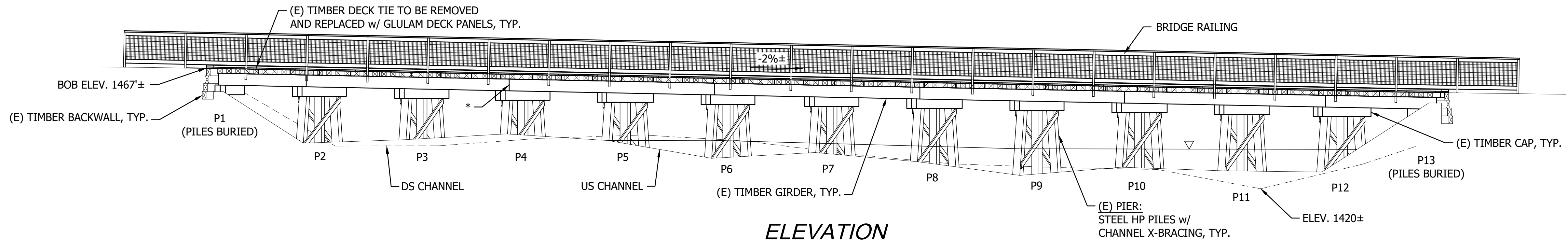
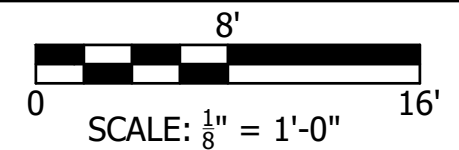
SCALE
AS SHOWN

PARKS FILE#

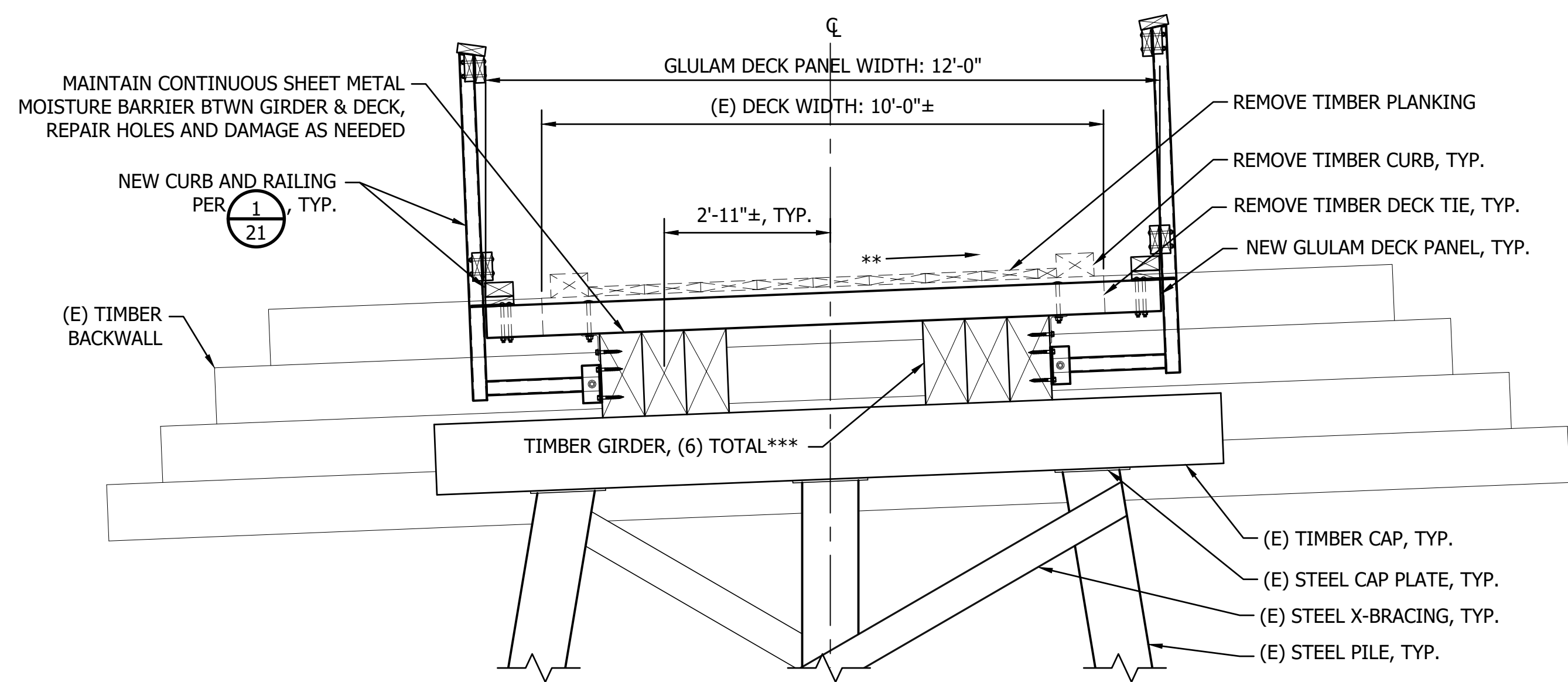
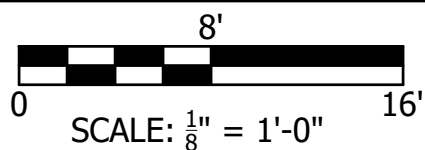
Plotted: Oct 14, 2023 - 21:45 ErikM B:\22Files\A22158.00 WA Parks - Klickitat Trail\Drawings\04 Trestle Redecking Plans.dwg Layout Name: 15 Trestle Redecking Plans - Trestle 3



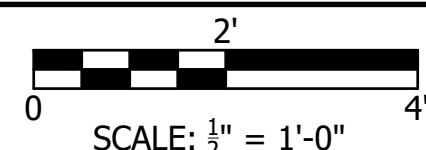
PLAN



ELEVATION



TYPICAL SECTION



NOTES

- ALL MEASUREMENTS PROVIDED HEREIN ARE APPROXIMATE AND SHOULD NOT BE ASSUMED TO REPLACE A PROFESSIONAL SURVEY.
- ALL LUMBER DIMENSIONS GIVEN ARE NOMINAL UNLESS NOTED AS ACTUAL. CONTRACTOR TO VERIFY DIMENSIONS AS REQUIRED TO COMPLETE CONSTRUCTION.

LEGEND

- * INDIVIDUAL GIRDER MEMBER LENGTHS VARY BETWEEN SINGLE AND 2-SPAN CONTINUOUS. THE MEMBER ENDS ARE STAGGERED AT ALL INTERIOR PIERS.
- ** SUPERELEVATION INCREASES FROM 3%± AT BOB TO 4%± AT EOB.
- *** TYPICAL GIRDER CONFIGURATION IS SHOWN IN THE SECTION BELOW. SOME SPANS MAY DIFFER FROM THAT SHOWN. CONTRACTOR TO VERIFY.

CAD NO.		DATE
		APP.
		INT.
		REVISIONS
		NO.

ACTION	BY	DATE
DESIGNED	ECM	10/14/2023
DRAWN	OGC	10/14/2023
CHECKED	ECM	10/14/2023
CHECKED (HDQTS.)		

10/14/2023
SARGENT
 SARGENT ENGINEERS, INC.
 320 Ronlee Lane NW • Olympia, WA 98502
 Tel. 360 867-9284 • Fax 360 867-9318
 SEI Pr. No. - A22158.00
 PROJECT ENGINEER

WASHINGTON
 STATE
 PARKS
 AND
 RECREATION
 COMMISSION



Klickitat State
Park Trail

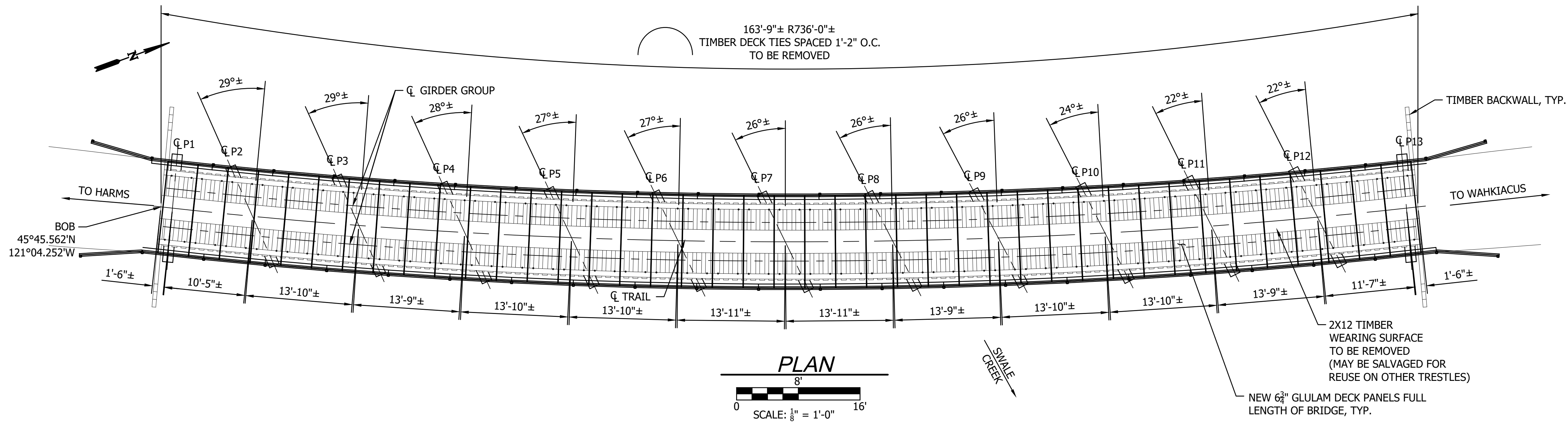
Swale Canyon
Trail
Improvements

TRESTLE 3 - MP 1.8
 PLAN, ELEVATION,
 & SECTION

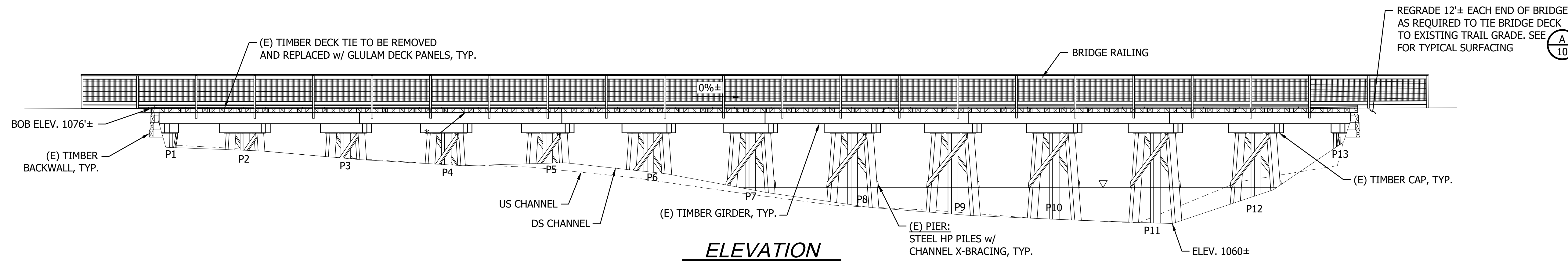
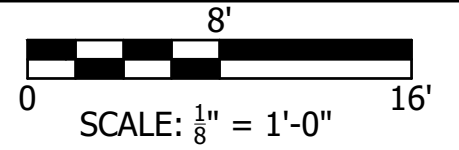
SCALE
 AS SHOWN

PARKS FILE#

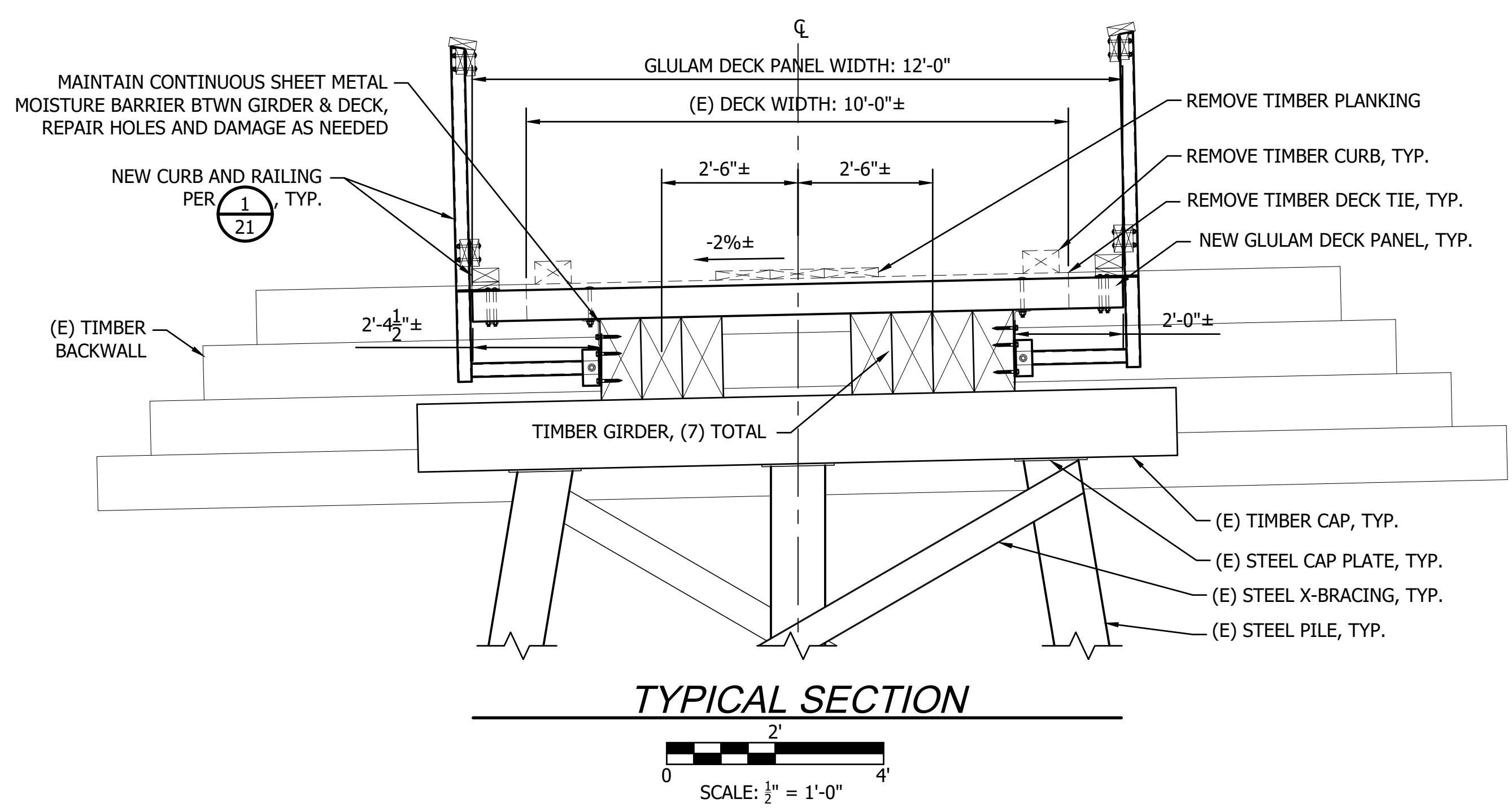
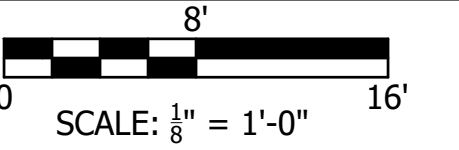
Plotted: Oct 14, 2023 - 21:45 ErikM B:\22Files\22158.00 WA Parks - Klickitat Trail\Drawings\04 Trestle Redecking Plans.dwg Layout Name: 16 Trestle Redecking Plans - Trestle 4



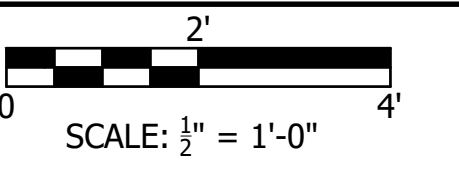
PLAN



ELEVATION



TYPICAL SECTION



NOTES

- ALL MEASUREMENTS PROVIDED HEREIN ARE APPROXIMATE AND SHOULD NOT BE ASSUMED TO REPLACE A PROFESSIONAL SURVEY.
- ALL LUMBER DIMENSIONS GIVEN ARE NOMINAL UNLESS NOTED AS ACTUAL. CONTRACTOR TO VERIFY DIMENSIONS AS REQUIRED TO COMPLETE CONSTRUCTION.

LEGEND

- * INDIVIDUAL GIRDER MEMBER LENGTHS VARY BETWEEN SINGLE AND 2-SPAN CONTINUOUS. THE MEMBER ENDS ARE STAGGERED AT ALL INTERIOR PIERS.
- ** TYPICAL GIRDER CONFIGURATION IS SHOWN IN THE SECTION BELOW. SOME SPANS MAY DIFFER FROM THAT SHOWN. CONTRACTOR TO VERIFY.

CAD NO.		DATE
		APP.
		INT.
		REVISIONS
		NO.

ACTION	BY	DATE
DESIGNED	ECM	10/14/2023
DRAWN	OGC	10/14/2023
CHECKED	ECM	10/14/2023
CHECKED (HDQTS.)		

WASHINGTON STATE PARKS AND RECREATION COMMISSION

KLICKITAT STATE PARK TRAIL

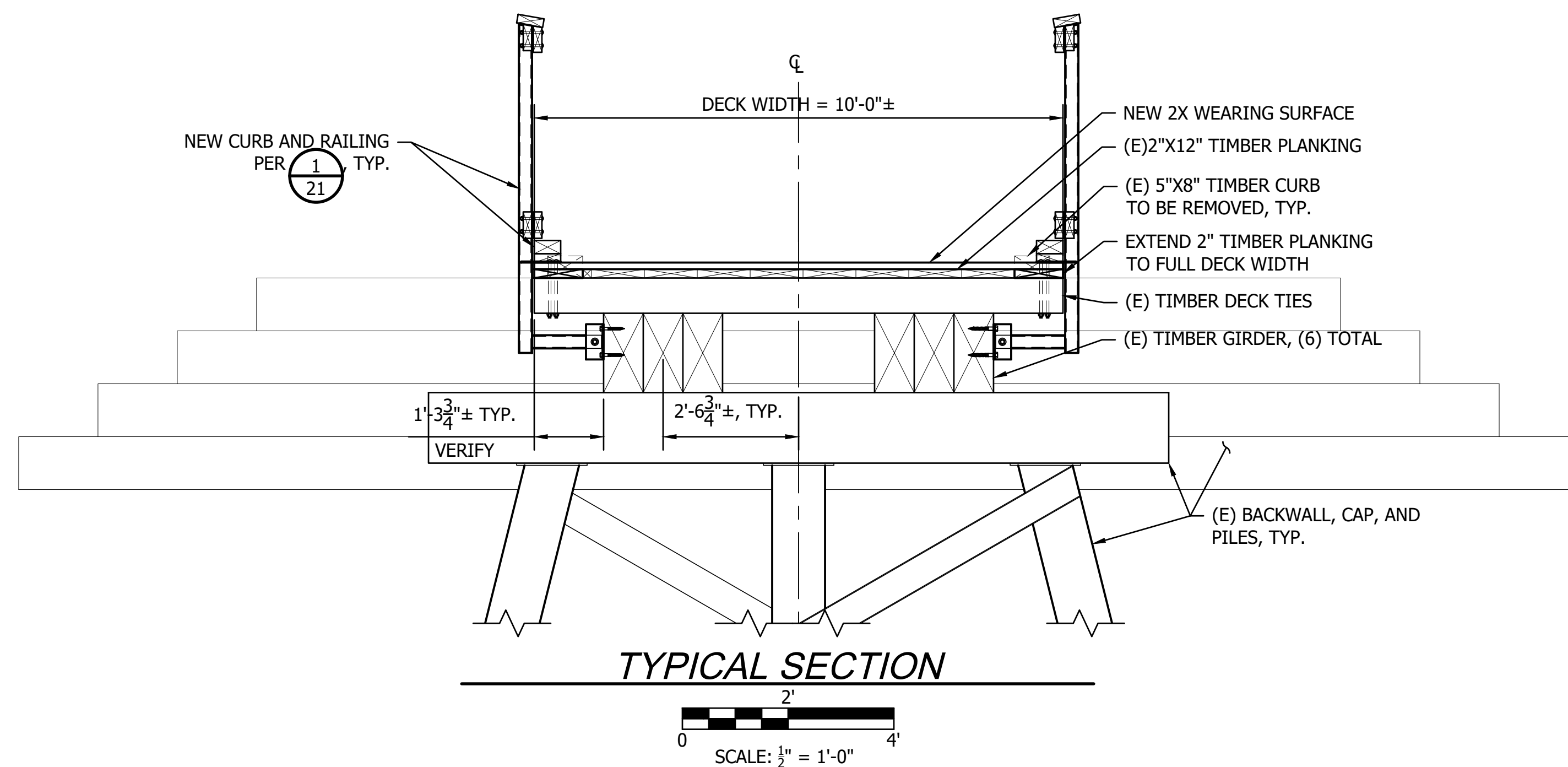
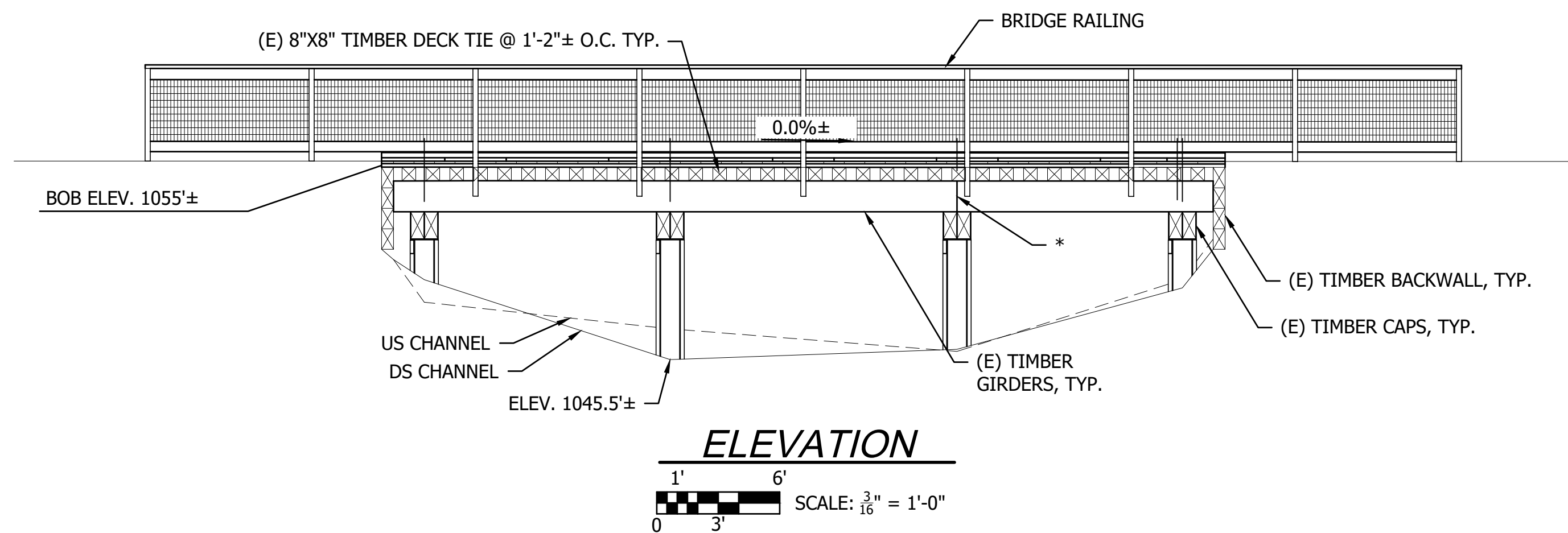
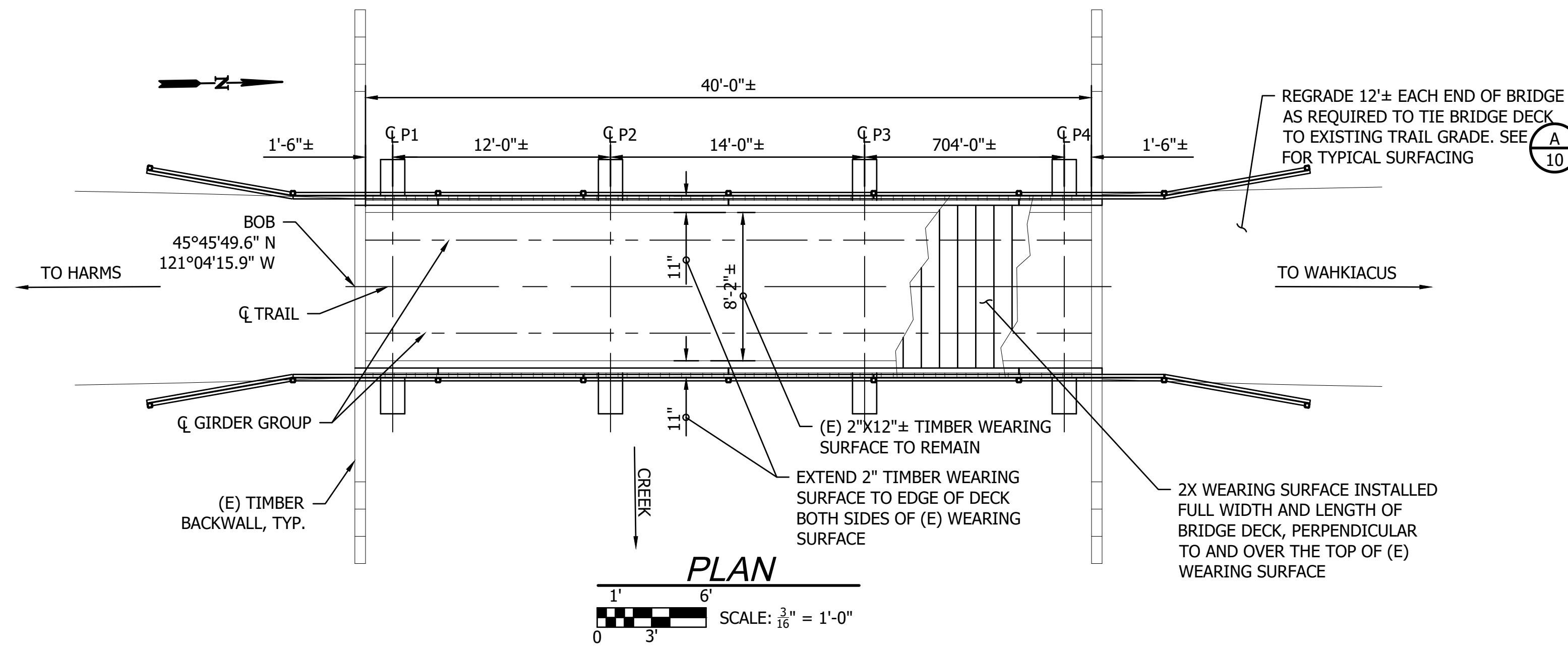
SWALE CANYON TRAIL IMPROVEMENTS

TRESTLE 4 - MP 5.7 PLAN, ELEVATION, & SECTION

SCALE
AS SHOWN

PARKS FILE#

Plotted: Oct 14, 2023 - 21:45 ErikM B:\22Files\A22158.00 WA Parks - Klickitat Trail\Drawings\04 Trestle Redecking Plans.dwg Layout Name: 17 Trestle Redecking Plans - Trestle 5



NOTES

- ALL MEASUREMENTS PROVIDED HEREIN ARE APPROXIMATE AND SHOULD NOT BE ASSUMED TO REPLACE A PROFESSIONAL SURVEY.
- ALL LUMBER DIMENSIONS GIVEN ARE NOMINAL UNLESS NOTED AS ACTUAL. CONTRACTOR TO VERIFY DIMENSIONS AS REQUIRED TO COMPLETE CONSTRUCTION.
- SEE DETAIL 1 ON SHEET 22 FOR DECKING FASTENING REQUIREMENTS.

LEGEND

- * INDIVIDUAL GIRDER MEMBER LENGTHS VARY BETWEEN SINGLE AND 2-SPAN CONTINUOUS. THE MEMBER ENDS ARE STAGGERED AT ALL INTERIOR PIERS.

CAD NO.	
	DATE
	APP.
	INT.
REVISIONS	
	NO.
ACTION	BY DATE
DESIGNED	ECM 10/14/2023
DRAWN	OGC 10/14/2023
CHECKED	ECM 10/14/2023
CHECKED (HDQTS.)	



10/14/2023

SARGENT
SARGENT ENGINEERS, INC.
320 Ronlee Lane NW • Olympia, WA 98502
Tel. 360 867-9284 • Fax 360 867-9318
SEI Pr. No. - A22158.00
PROJECT ENGINEER

**WASHINGTON
STATE
PARKS
AND
RECREATION
COMMISSION**



**KLICKITAT STATE
PARK TRAIL**

**SWALE CANYON
TRAIL
IMPROVEMENTS**

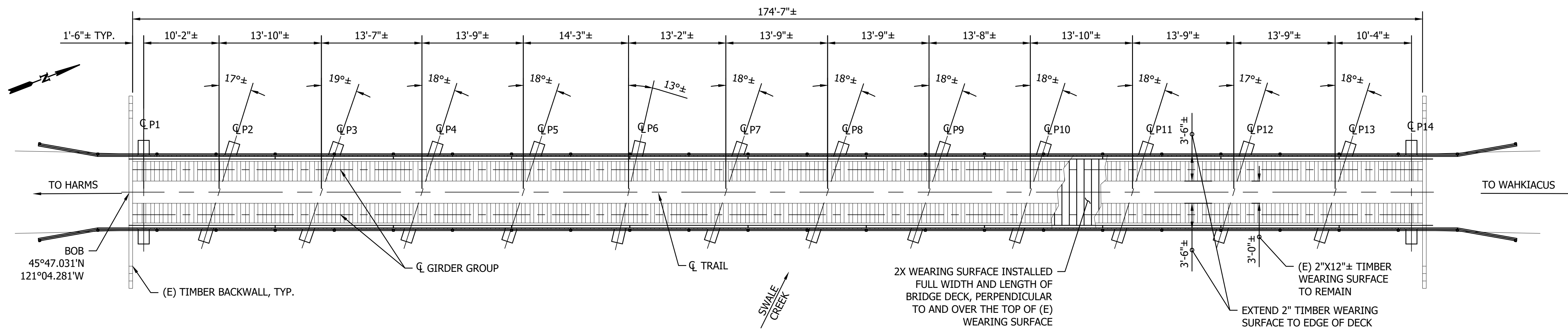
**TRESTLE 5 - MP 6.0
PLAN, ELEVATION,
& SECTION**

SCALE
AS SHOWN

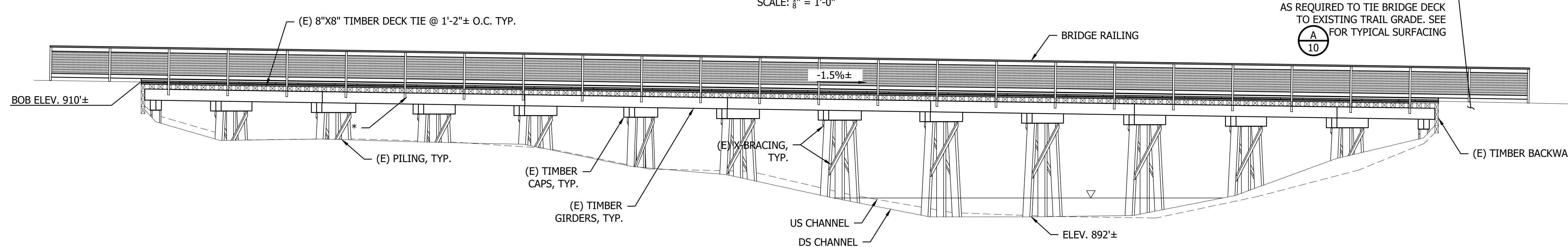
PARKS FILE#

**SHEET 17 OF 22
PROGRESS SKETCH**

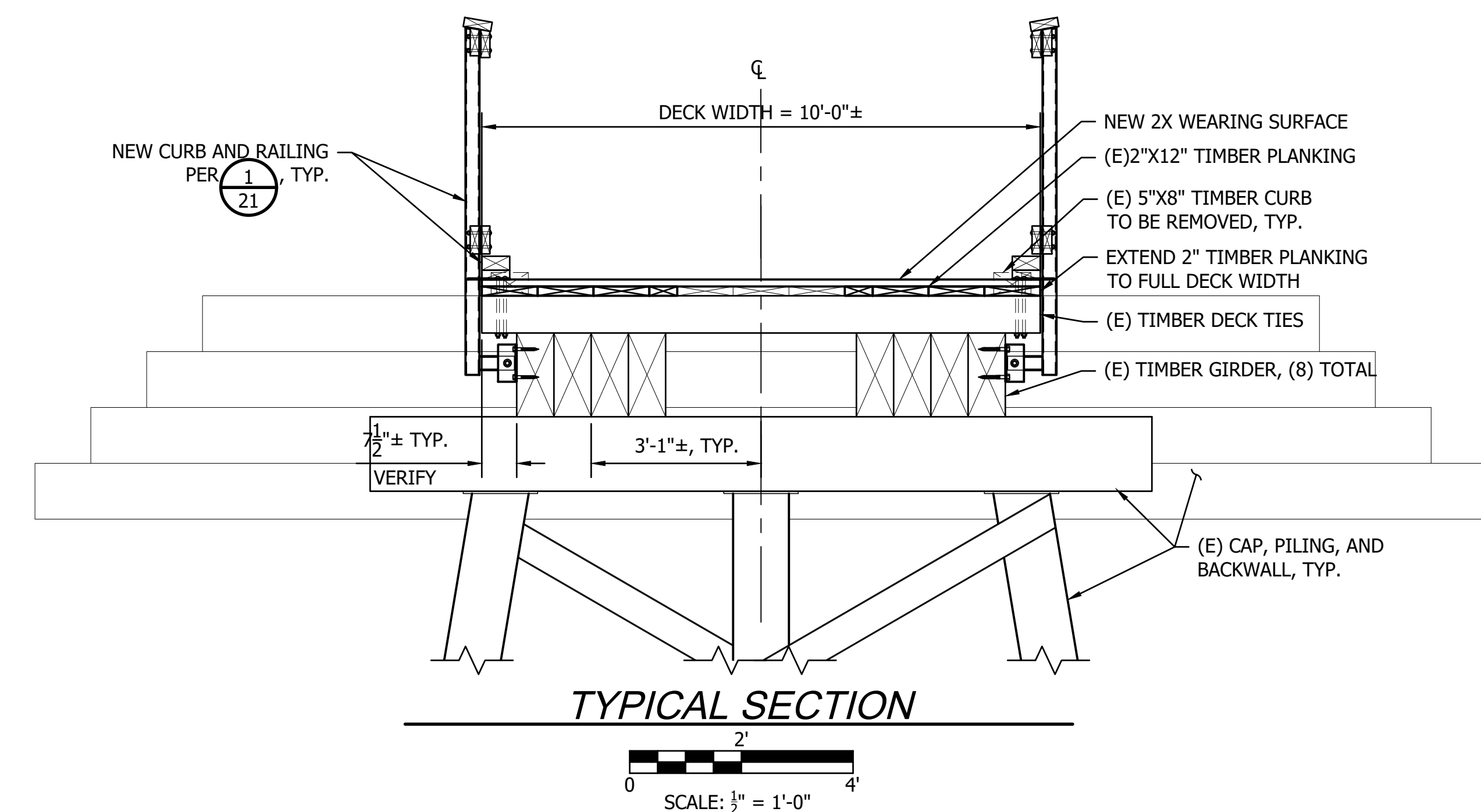
Plotted: Oct 14, 2023 - 21:45 ErikM B:\22Files\22158.00 WA Parks - Klickitat Trail\Drawings\04 Trestle Redecking Plans.dwg Layout Name: 18 Trestle Redecking Plans - Trestle 6



PLAN
8'
0 8' 16'
SCALE: 1/8" = 1'-0"



ELEVATION
8'
0 8' 16'
SCALE: 1/8" = 1'-0"



TYPICAL SECTION
2'
0 2' 4'
SCALE: 1/2" = 1'-0"

NOTES

- ALL MEASUREMENTS PROVIDED HEREIN ARE APPROXIMATE AND SHOULD NOT BE ASSUMED TO REPLACE A PROFESSIONAL SURVEY.
- ALL LUMBER DIMENSIONS GIVEN ARE NOMINAL UNLESS NOTED AS ACTUAL. CONTRACTOR TO VERIFY DIMENSIONS AS REQUIRED TO COMPLETE CONSTRUCTION.
- SEE DETAIL 1 ON SHEET 22 FOR DECKING FASTENING REQUIREMENTS.

LEGEND

- * INDIVIDUAL GIRDER MEMBER LENGTHS VARY BETWEEN SINGLE AND 2-SPAN CONTINUOUS. THE MEMBER ENDS ARE STAGGERED AT ALL INTERIOR PIERS.
- ** TYPICAL GIRDER CONFIGURATION IS SHOWN IN THE SECTION BELOW. SOME SPANS MAY DIFFER FROM THAT SHOWN. CONTRACTOR TO VERIFY.

CAD NO.		
	DATE	
	APP.	
	INT.	
REVISIONS		
		NO.
ACTION	BY	DATE
DESIGNED	ECM	10/14/2023
DRAWN	OGC	10/14/2023
CHECKED	ECM	10/14/2023
CHECKED (HDQTS.)		

10/14/2023
SARGENT
SARGENT ENGINEERS, INC.
320 Ronlee Lane NW • Olympia, WA 98502
Tel. 360 867-9284 • Fax 360 867-9318
SEI Pr. No. - A22158.00
PROJECT ENGINEER

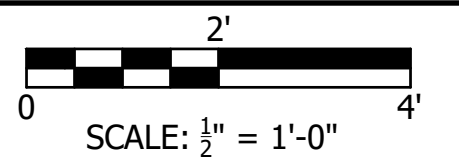
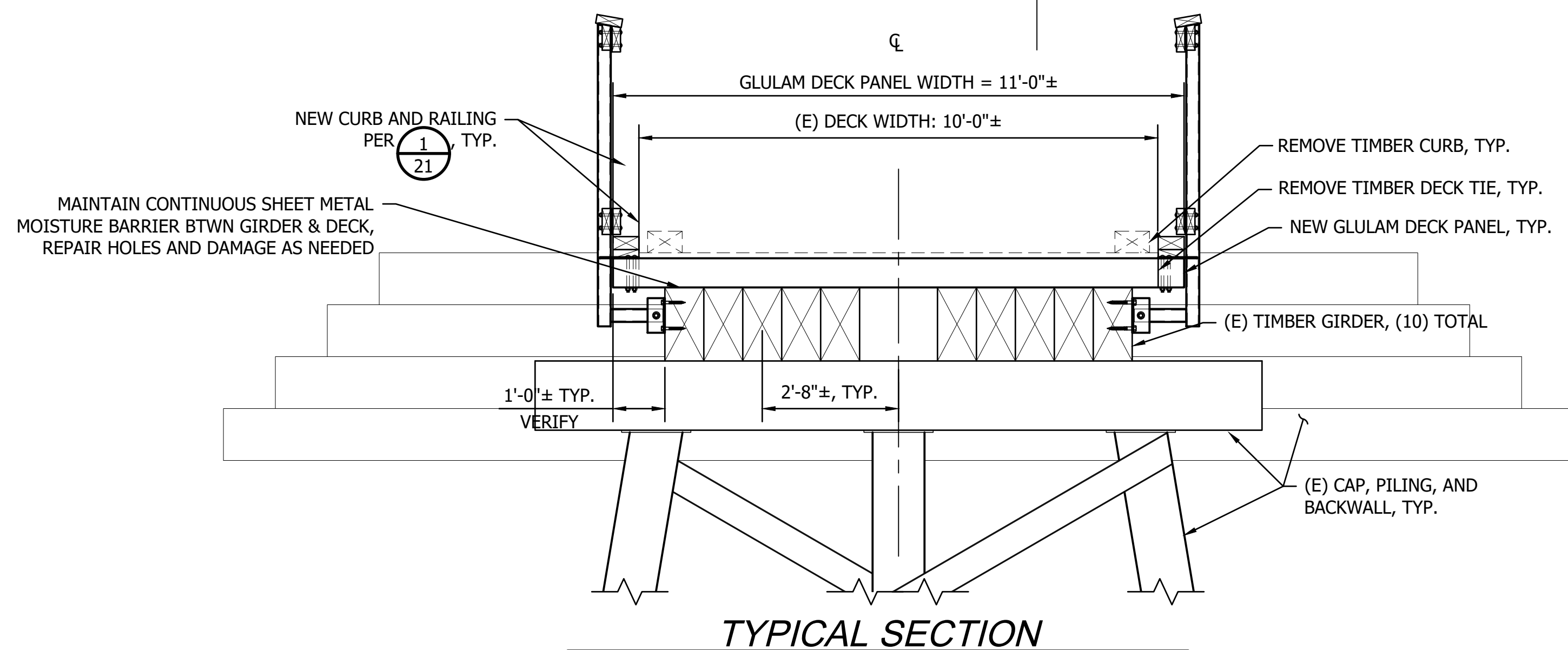
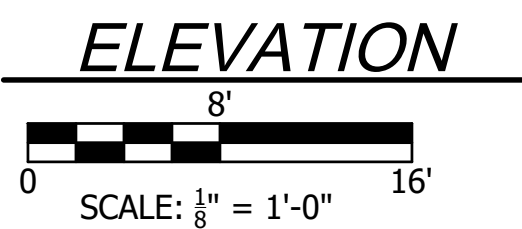
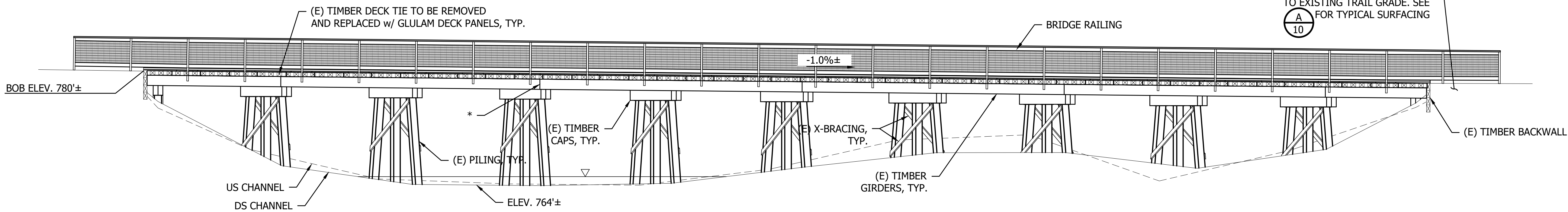
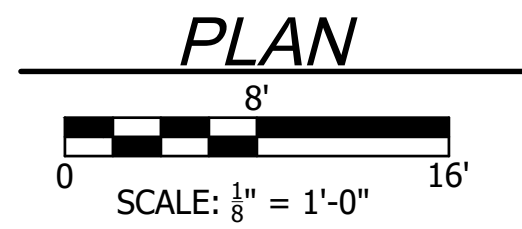
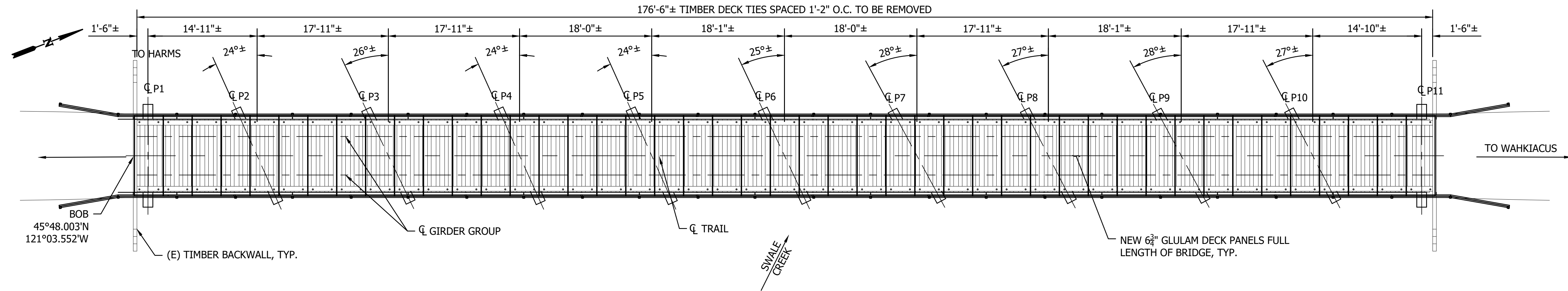
WASHINGTON
STATE
PARKS
AND
RECREATION
COMMISSION

Klickitat State
Park Trail
Swale Canyon
Trail
Improvements

TRESTLE 6 - MP 7.5
PLAN, ELEVATION,
& SECTION

SCALE
AS SHOWN

Plotted: Oct 14, 2023 - 21:45 ErikM B:\22Files\22158.00 WA Parks - Klickitat Trail\Drawings\04 Trestle Redecking Plans.dwg Layout Name: 19 Trestle Redecking Plans - Trestle 8



- NOTES**
- ALL MEASUREMENTS PROVIDED HEREIN ARE APPROXIMATE AND SHOULD NOT BE ASSUMED TO REPLACE A PROFESSIONAL SURVEY.
 - ALL LUMBER DIMENSIONS GIVEN ARE NOMINAL UNLESS NOTED AS ACTUAL. CONTRACTOR TO VERIFY DIMENSIONS AS REQUIRED TO COMPLETE CONSTRUCTION.

- LEGEND**
- * INDIVIDUAL GIRDER MEMBER LENGTHS VARY BETWEEN SINGLE AND 2-SPAN CONTINUOUS. THE MEMBER ENDS ARE STAGGERED AT ALL INTERIOR PIERS.
 - ** TYPICAL GIRDER CONFIGURATION IS SHOWN IN THE SECTION BELOW. SOME SPANS MAY DIFFER FROM THAT SHOWN. CONTRACTOR TO VERIFY.
 - *** NOTE THAT THE SUBSTRUCTURE IS PERPENDICULAR TO THE BRIDGE CENTERLINE AT THE ABUTMENTS ONLY. ALL SUBSTRUCTURE DIMENSIONS GIVEN IN THE SECTION VIEW BELOW ARE ALONG THE CENTERLINE OF THE PILE CAP.

CAD NO.		
	DATE	
	APP.	
	INT.	
REVISIONS		
	NO.	
ACTION	BY	DATE
DESIGNED	ECM	10/14/2023
DRAWN	OGC	10/14/2023
CHECKED	ECM	10/14/2023
CHECKED (HDQTS.)		

10/14/2023
SARGENT
 SARGENT ENGINEERS, INC.
 320 Ronlee Lane NW • Olympia, WA 98502
 Tel. 360 867-9284 • Fax 360 867-9318
 SEI Pr. No. - A22158.00
 PROJECT ENGINEER

WASHINGTON STATE PARKS AND RECREATION COMMISSION

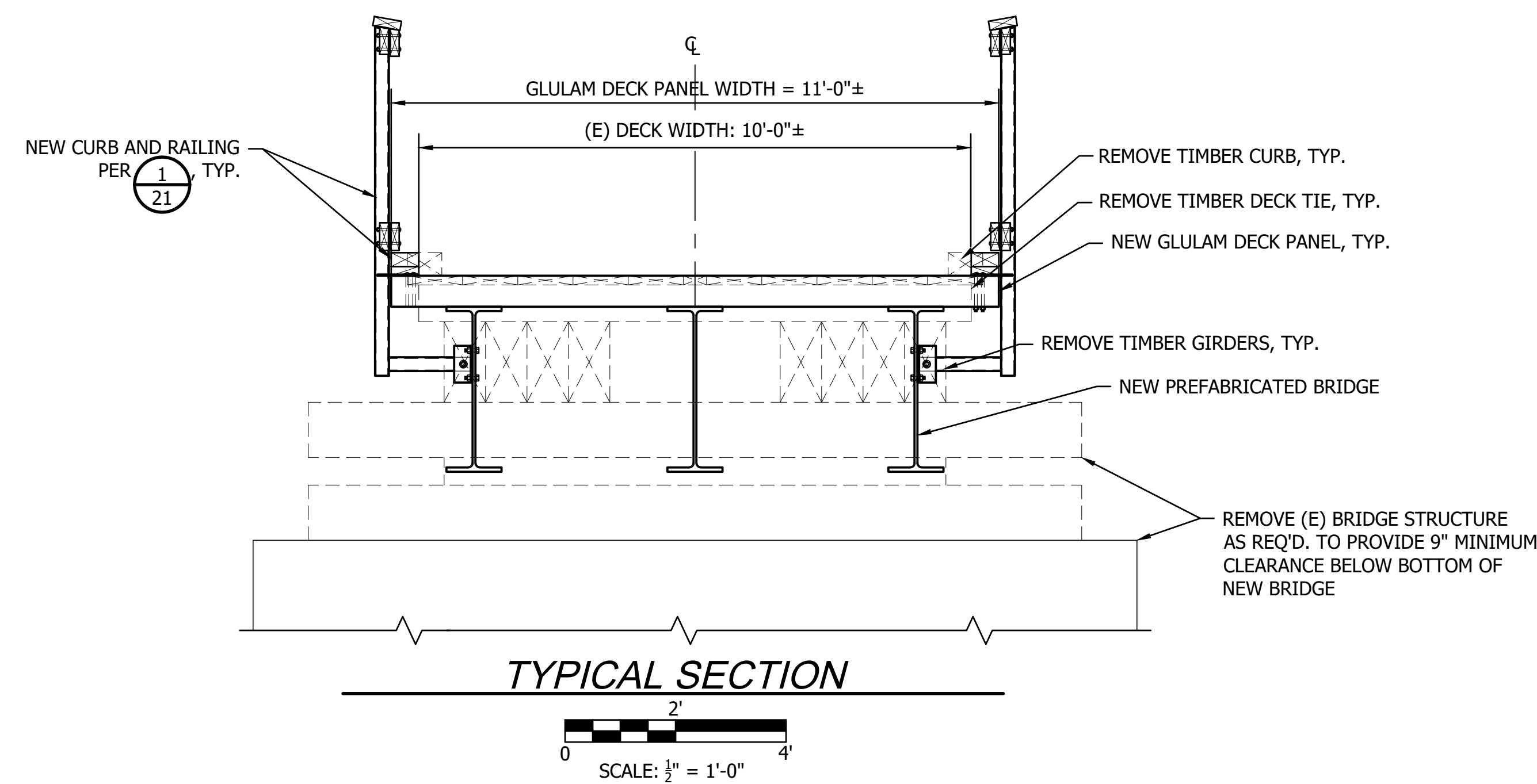
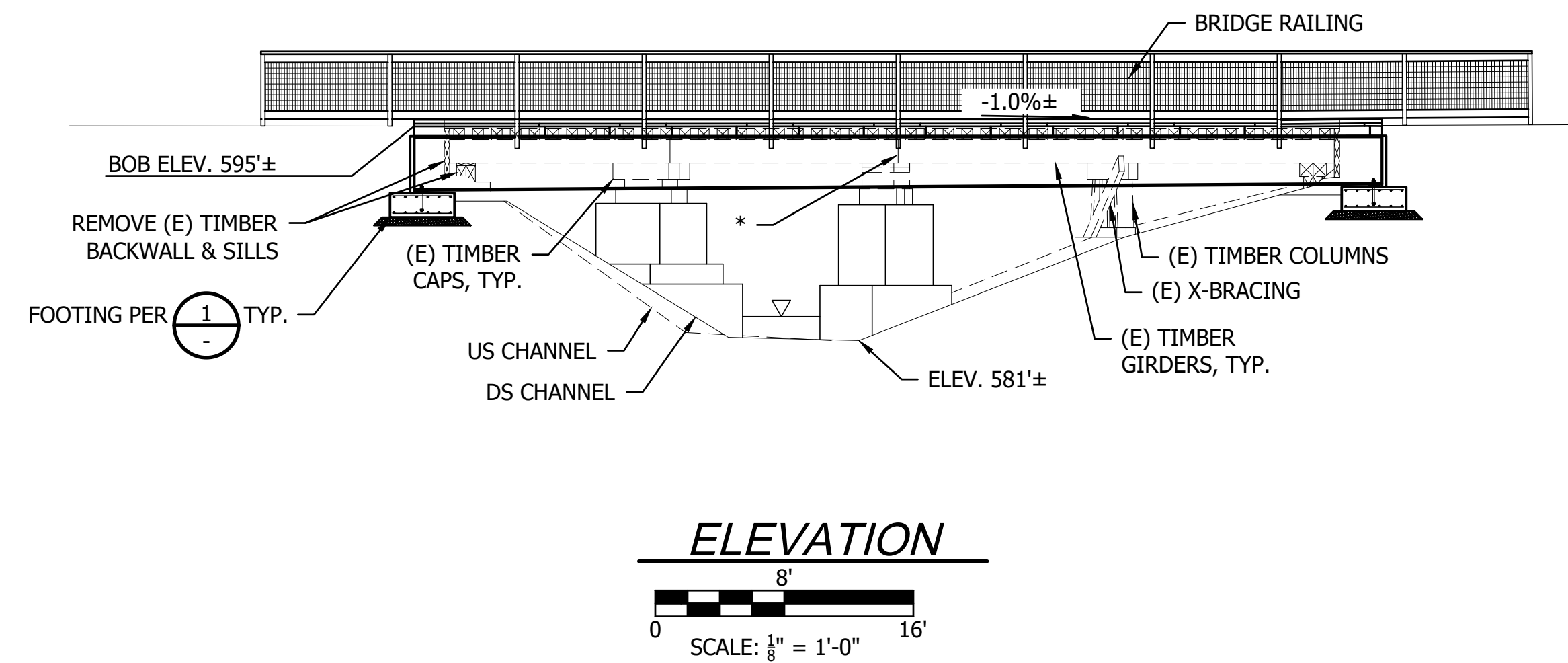
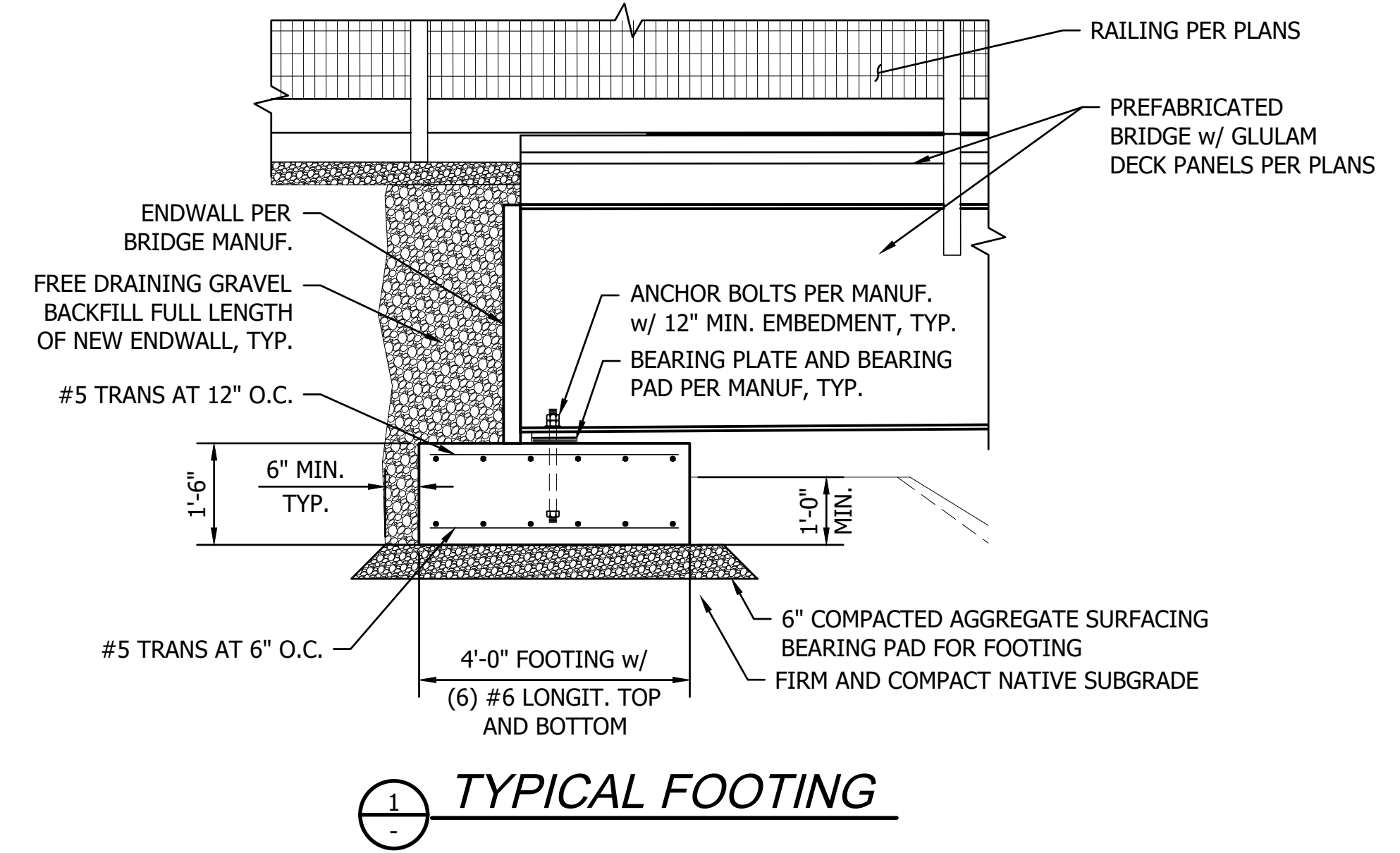
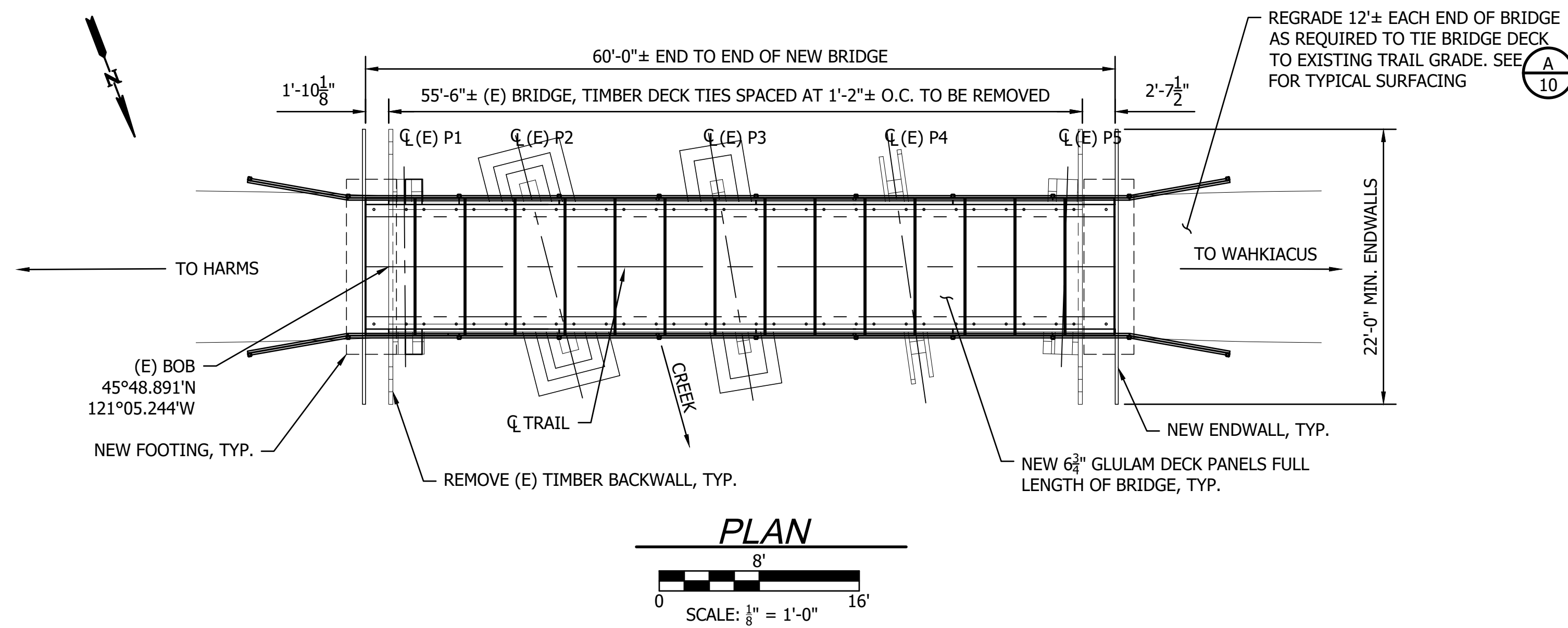
KLICKITAT STATE PARK TRAIL
SWALE CANYON TRAIL IMPROVEMENTS

TRESTLE 8 - MP 8.9
 PLAN, ELEVATION, & SECTION

SCALE
 AS SHOWN

PARKS FILE#

Plotted: Oct 14, 2023 - 21:45 ErikM B:\22Files\22158.00 WA Parks - Klickitat Trail\Drawings\04 Trestle Redecking Plans.dwg Layout Name: 20 Trestle Redecking Plans - Trestle 9



NOTES

- ALL MEASUREMENTS PROVIDED HEREIN ARE APPROXIMATE AND SHOULD NOT BE ASSUMED TO REPLACE A PROFESSIONAL SURVEY.
- ALL LUMBER DIMENSIONS GIVEN ARE NOMINAL UNLESS NOTED AS ACTUAL. CONTRACTOR TO VERIFY DIMENSIONS AS REQUIRED TO COMPLETE CONSTRUCTION.

LEGEND

- * INDIVIDUAL GIRDER MEMBER LENGTHS VARY BETWEEN SINGLE AND 2-SPAN CONTINUOUS. THE MEMBER ENDS ARE STAGGERED AT ALL INTERIOR PIERS.
- ** TYPICAL GIRDER CONFIGURATION IS SHOWN IN THE SECTION BELOW. SOME SPANS MAY DIFFER FROM THAT SHOWN. CONTRACTOR TO VERIFY.

CAD NO.	
DATE	
APP.	
INT.	
REVISIONS	
NO.	

10/14/2023

SARGENT
SARGENT ENGINEERS, INC.
320 Ronlee Lane NW • Olympia, WA 98502
Tel. 360 867-9284 • Fax 360 867-9318
SEI Pr. No. - A22158.00
PROJECT ENGINEER

WASHINGTON STATE PARKS AND RECREATION COMMISSION

KLICKITAT STATE PARK TRAIL

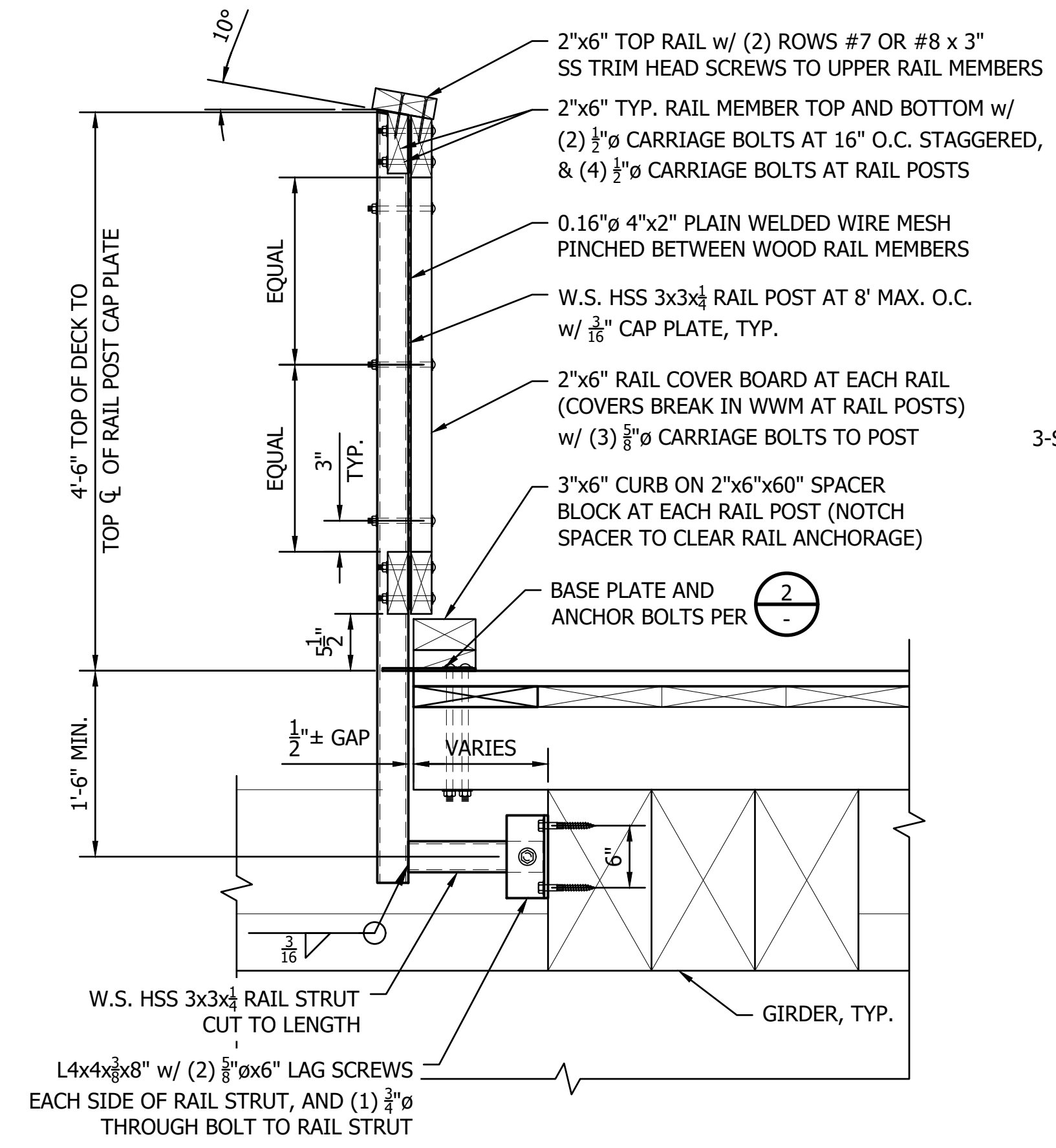
SWALE CANYON TRAIL IMPROVEMENTS

TRESTLE 9 - MP 10.8 PLAN, ELEVATION, & SECTION

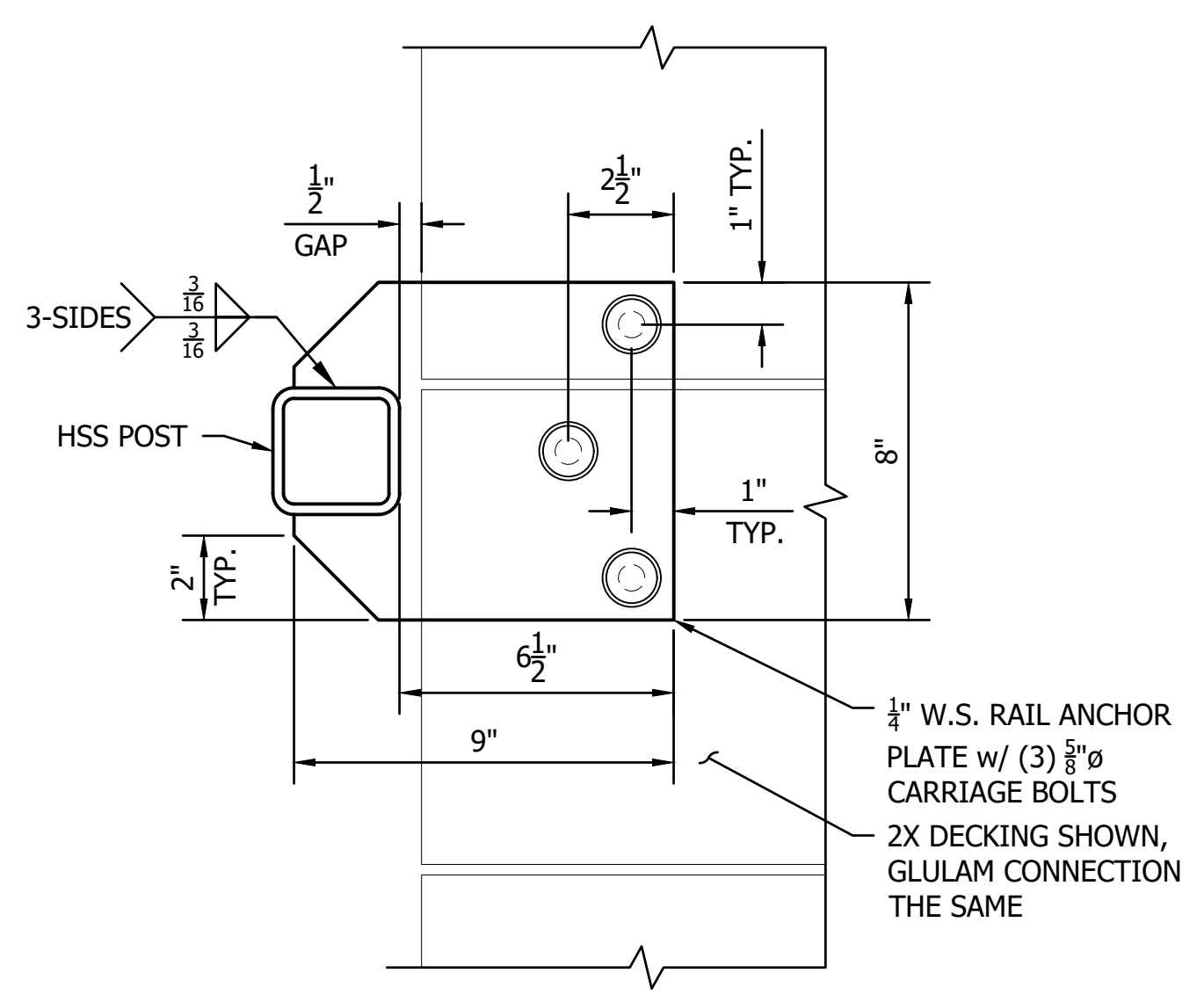
SCALE: AS SHOWN

PARKS FILE#

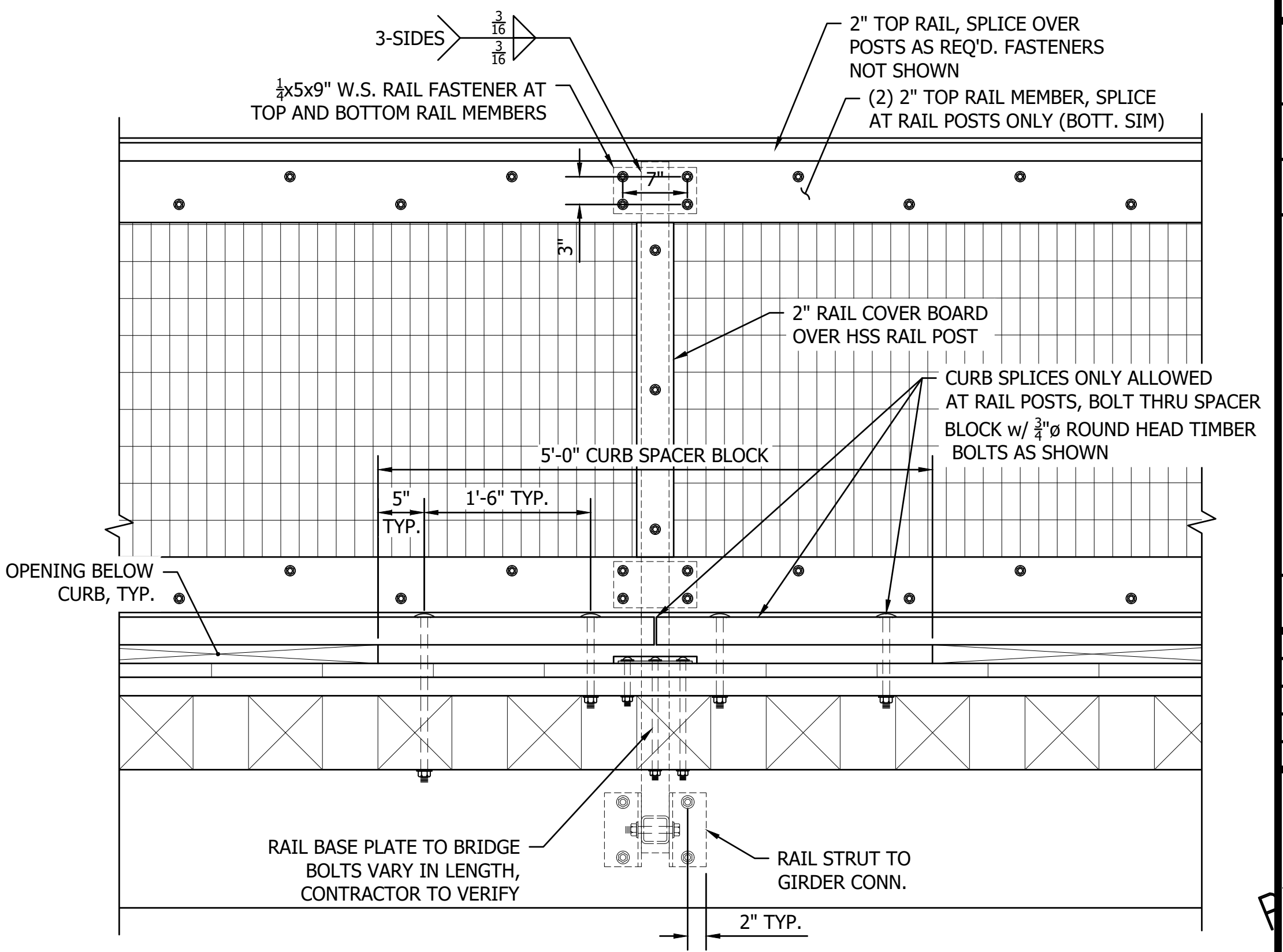
Plotted: Oct 14, 2023 - 21:45 ErikM B:\22Files\22158.00 WA Parks - Klickitat Trail\Drawings\04 Trestle Redecking Plans.dwg Layout Name: 21 Trestle Redecking Plans - Trestle Railing Details



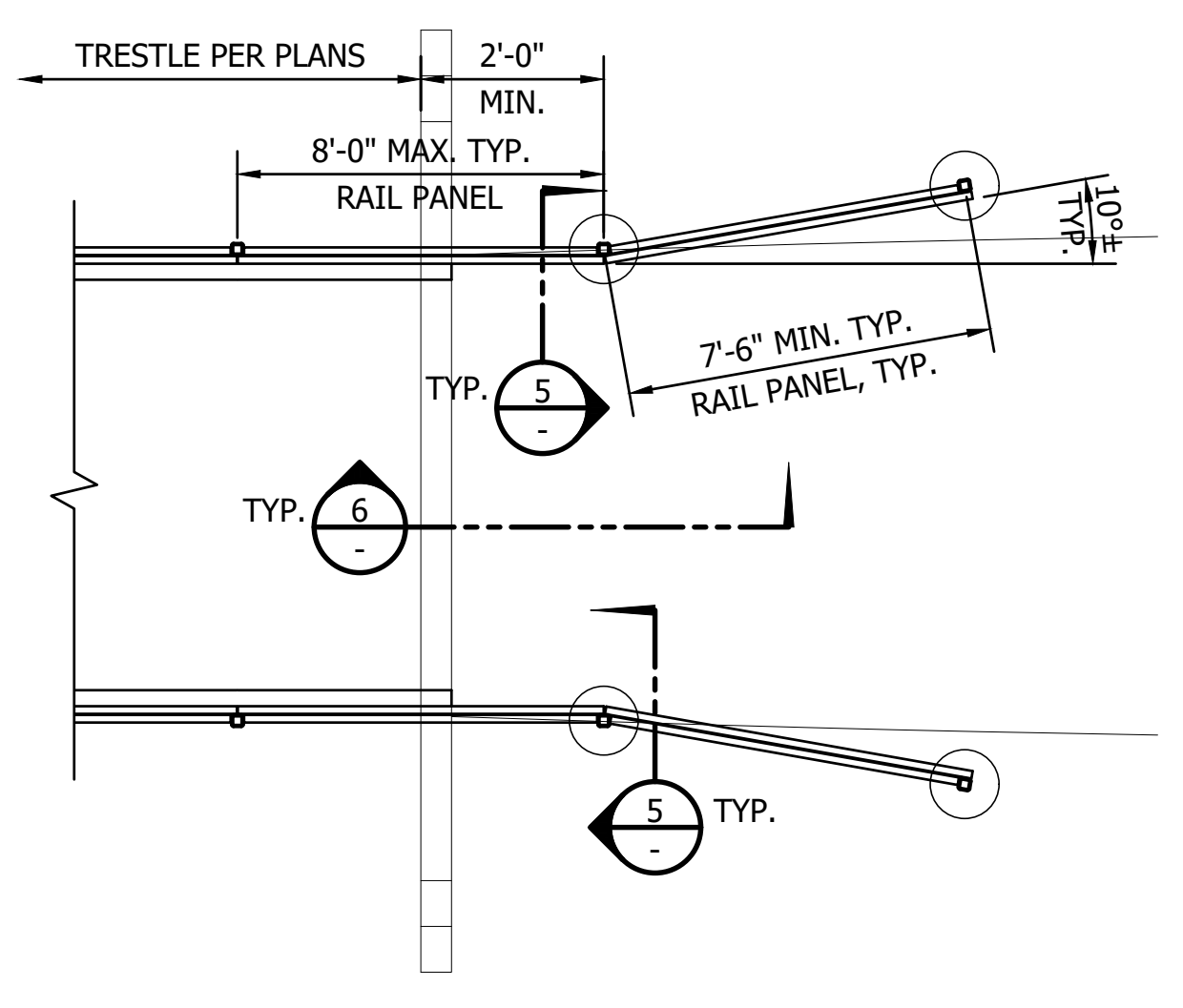
1 TYPICAL RAILING



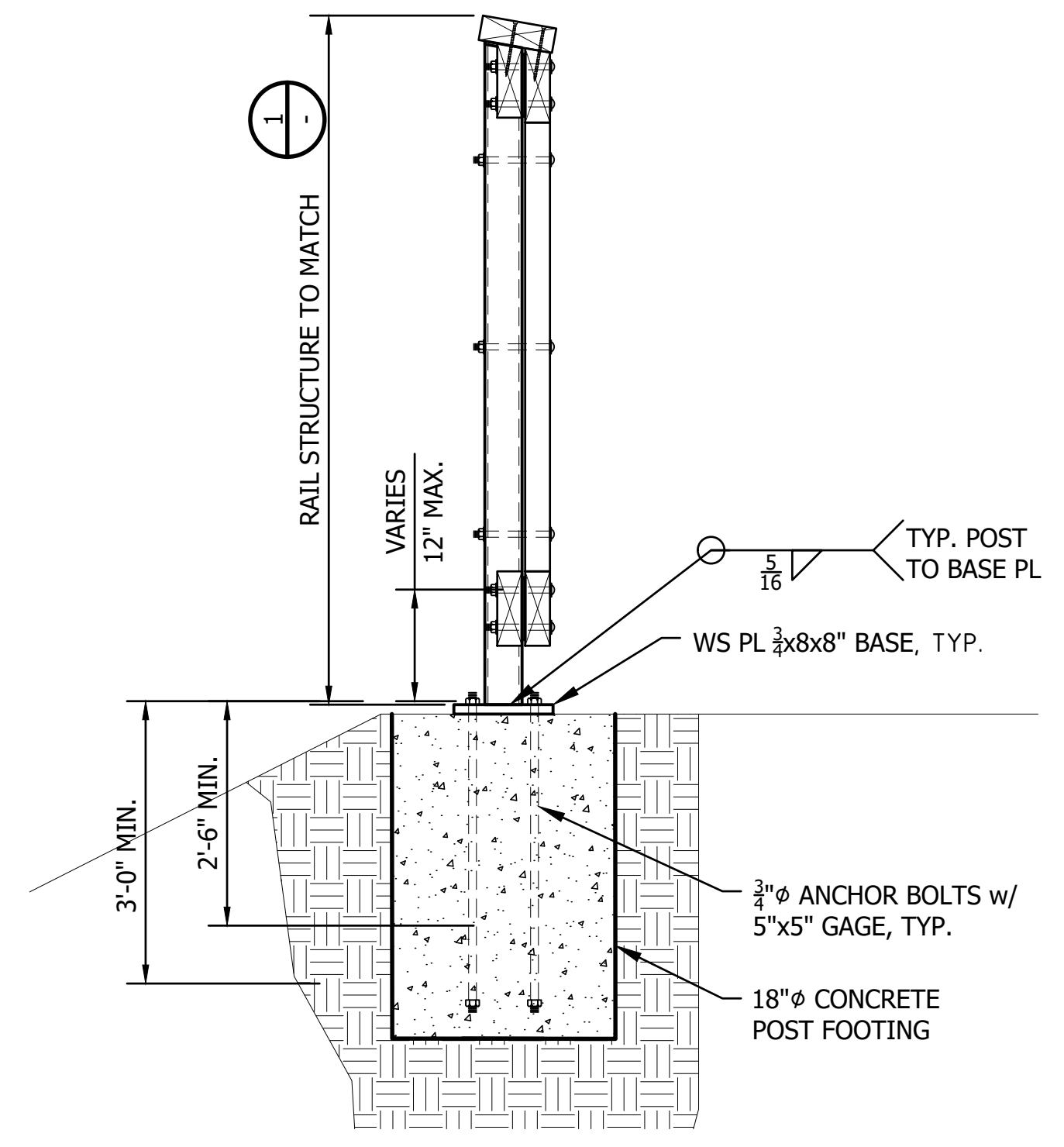
2 RAIL BASE PLATE



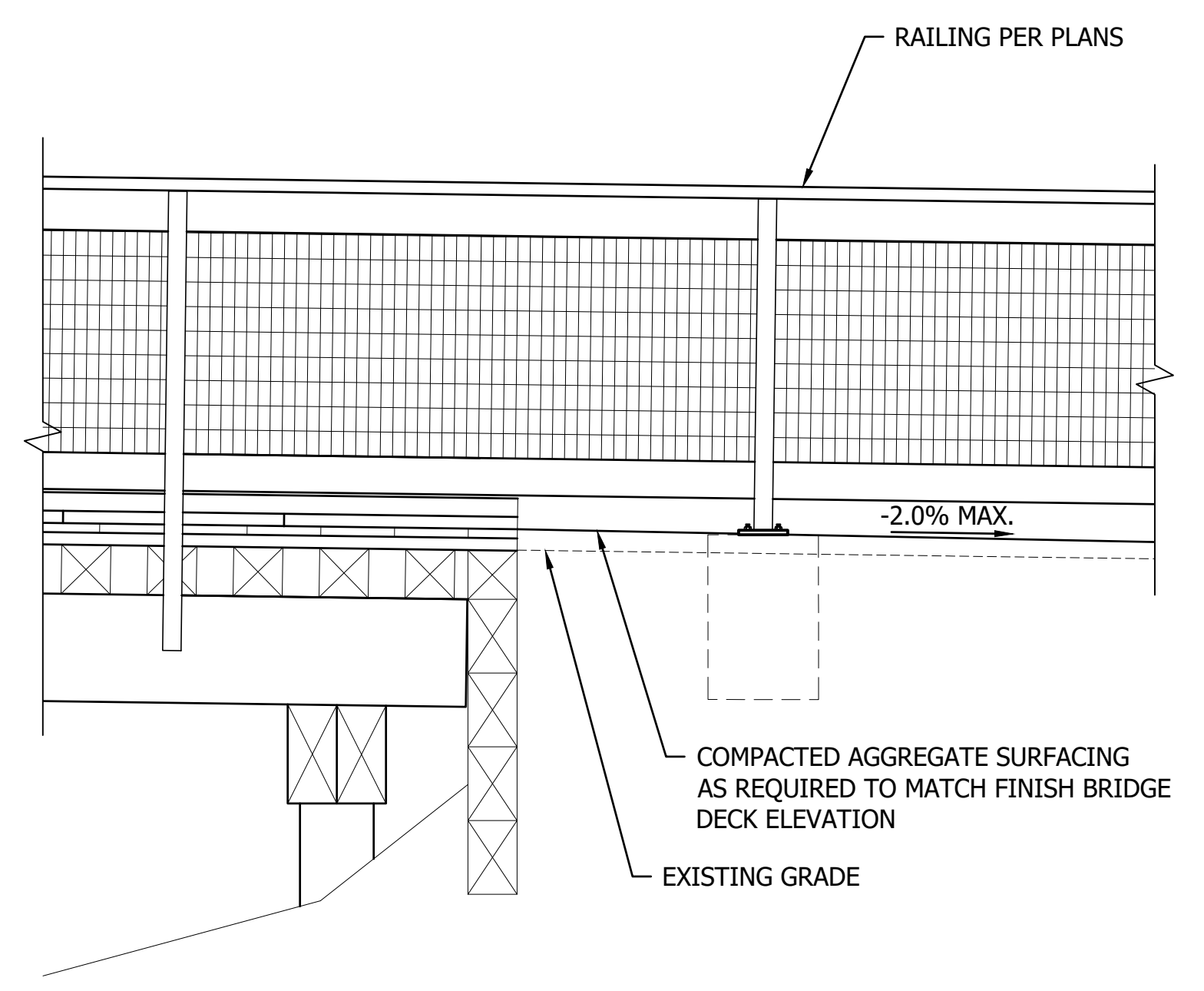
3 TYPICAL RAILING ELEVATION
TIMBER DECK TIE STRUCTURE SHOWN. GLULAM DECK SIMILAR.



4 TYPICAL APPROACH RAILING



5 APPROACH RAIL FOOTING



6 TYPICAL APPROACH FILL

CAD NO.	DATE	
	APP.	
	INT.	
	NO.	
	REVISIONS	
ACTION	BY	DATE
DESIGNED	ECM	10/14/2023
DRAWN	OGC	10/14/2023
CHECKED	ECM	10/14/2023
CHECKED (HDQTS.)		

10/14/2023
SARGENT
SARGENT ENGINEERS, INC.
320 Ronlee Lane NW • Olympia, WA 98502
Tel. 360 867-9284 • Fax 360 867-9318
SEI Pr. No. - A22158.00
PROJECT ENGINEER

WASHINGTON STATE PARKS AND RECREATION COMMISSION

KLICKITAT STATE PARK TRAIL

SWALE CANYON TRAIL IMPROVEMENTS

TRESTLE RAILING DETAILS

SCALE: NOT TO SCALE

PARKS FILE#

Plotted: Oct 14, 2023 - 21:45 ErikM B:\22Files\22158.00 WA Parks - Klickitat Trail\Drawings\04 Trestle Redecking Plans.dwg Layout Name: 22 Trestle Redecking Plans - Trestle Decking Details

CAD NO.		
		DATE
		APP.
		INT.
		REVISIONS
		NO.
ACTION	BY	DATE
DESIGNED	ECM	10/14/2023
DRAWN	OGC	10/14/2023
CHECKED	ECM	10/14/2023
CHECKED (HDQTS.)		

WASHINGTON STATE PARKS AND RECREATION COMMISSION



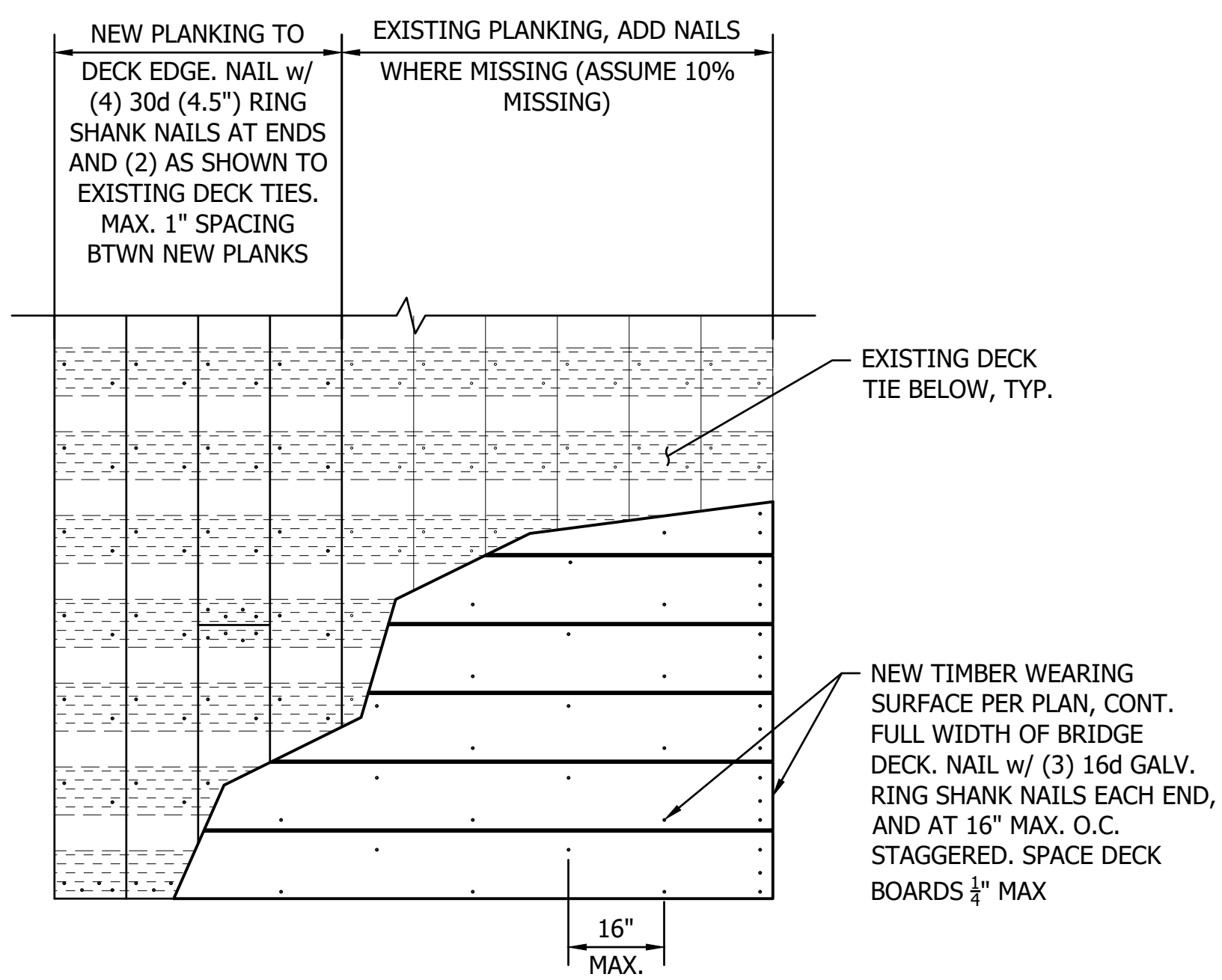
KLICKITAT STATE PARK TRAIL

SWALE CANYON TRAIL IMPROVEMENTS

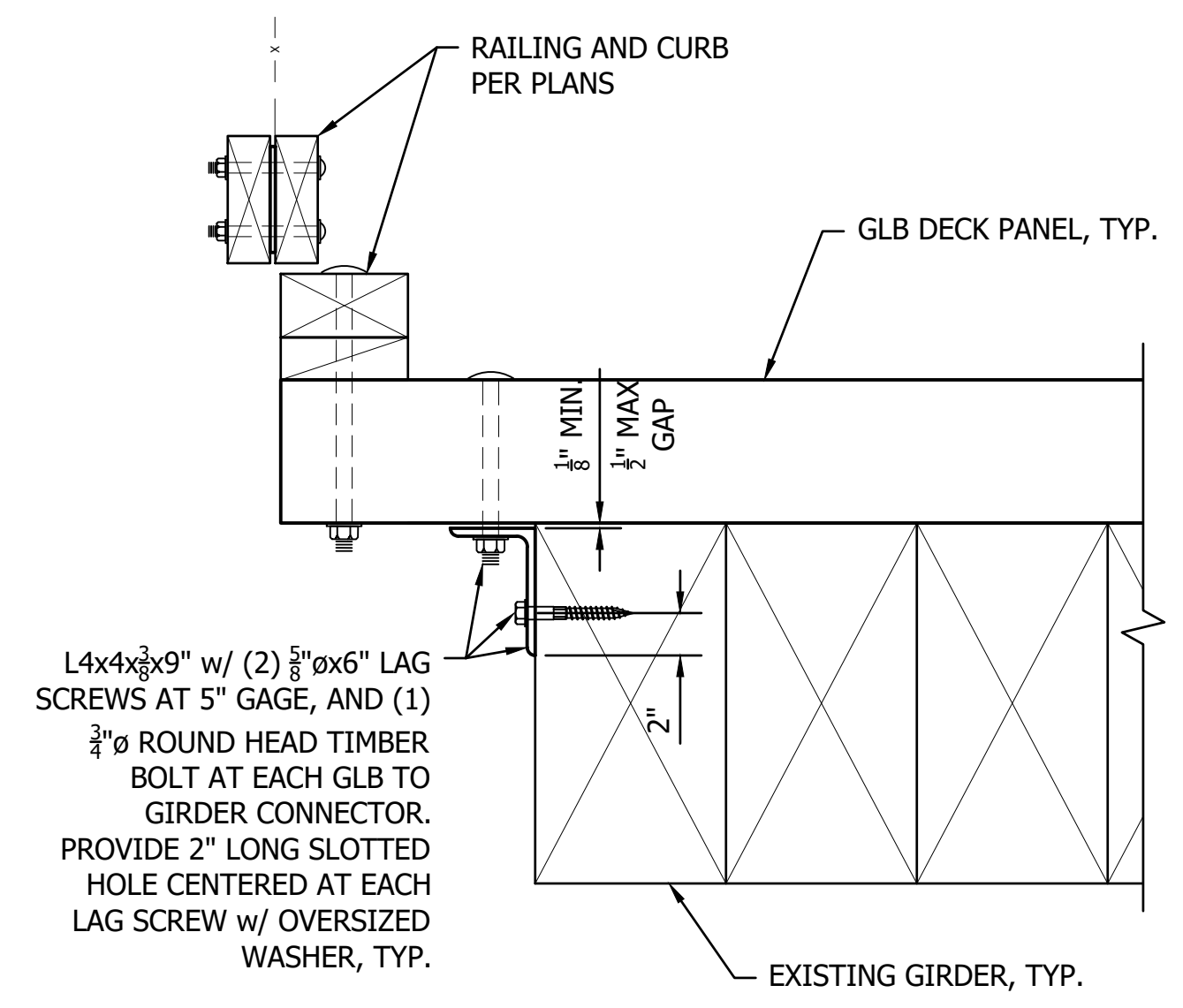
TRESTLE DECKING DETAILS

SCALE: NOT TO SCALE

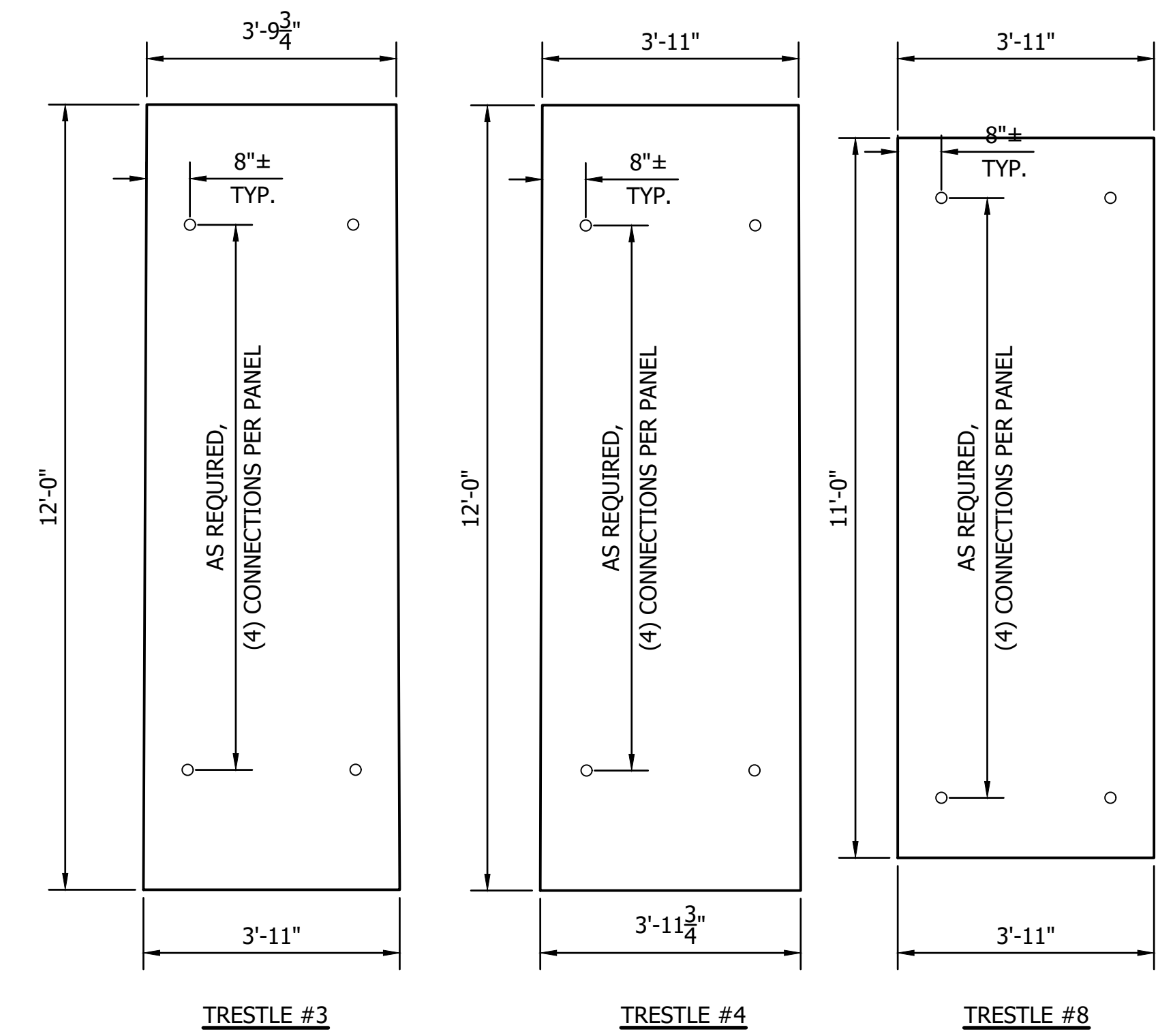
PARKS FILE#



1 TYPICAL PLANKING/WEARING SURFACE



2 TYPICAL GLULAM DECK CONNS
DECKING CONNECTIONS FOR PREMANUFACTURED BRIDGE SHALL BE PER THE BRIDGE MANUFACTURER



3 TYPICAL GLULAM DECK PANELS

PROVIDE 1/4"± GAP BETWEEN ALL GLULAM DECK PANELS, TYP.